

# AMU Series

## JIC SIZE JUNCTION BOXES

### Cover Type

Viewing Window

### Closure Type

Nonmetal Snap Latch  
Hinged Cover



### Application

Designed to insulate and protect controls and components in both indoor and outdoor applications often found in oil refineries, waste water treatment equipment, chemical plants, and many other applications

- Especially well suited for high temperature or corrosive environments
- Protects from dirt, dust, oil and water
- For use with industrial control equipment
- Clear polycarbonate viewing window, used in applications where critical electronic equipment must be visible and protected from the elements

### Standards

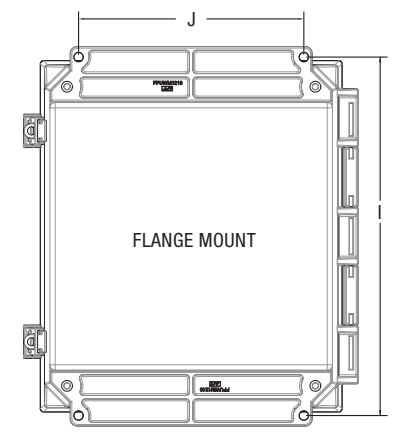
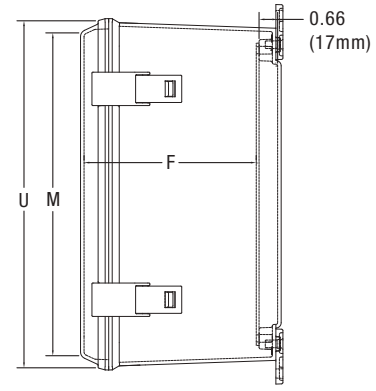
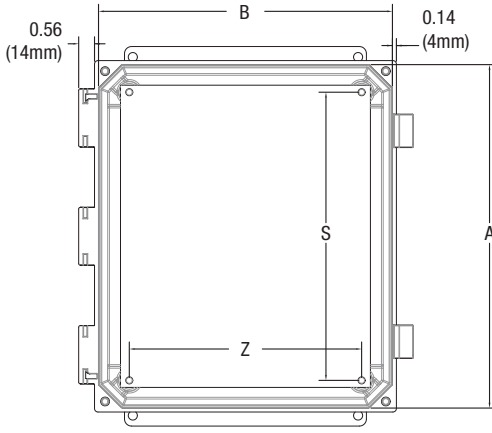
- UL 50 and UL 50E Types 1, 2, 3, 3R, 4, 4X, 12 and 13
- CSA C22.2 No. 94 Types 1, 2, 3, 3R, 4, 4X, 12 and 13
- Complies with:
  - NEMA Types 1, 2, 3, 3R, 4, 4X, 12 and 13
  - IEC 60529 Type IP66
  - RoHS directive

### Construction

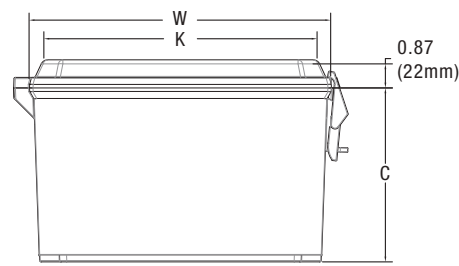
- Compression molded fiberglass reinforced polyester construction with flush, polycarbonate viewing window cover
- Allied Moulded ULTRAGUARD® fiberglass reinforced polyester material formulation - UV stabilized for outdoor use
- Opaque cover, base, feet, flanges — Light gray color (RAL 7035)  
*Note: foot models mounting hardware supplied in a bag. Flanged models are pre-assembled*
- 316 stainless steel hinge pin and polycarbonate snap latches with padlock hasp (.281" dia.)
- Formed-In-Place (FIP) polyurethane gasket system encased in continuous channel
- Polycarbonate foot/flange mounting brackets with 316 stainless steel fasteners
- #10-32 threaded brass inserts are installed for back panel mounting

### Accessories & Modifications

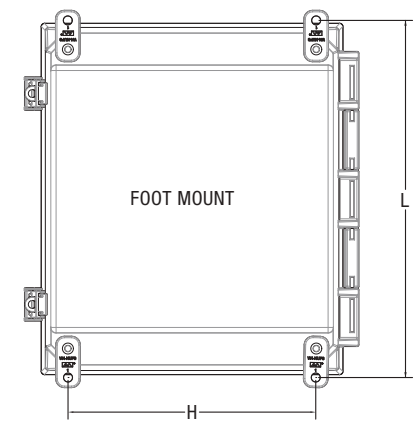
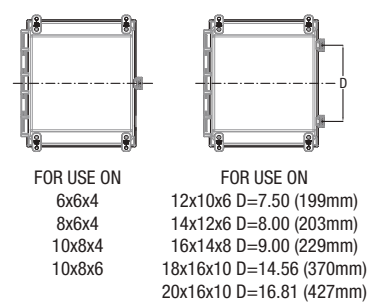
- Optional back panels and hinged front panels
- Custom holes and cutouts
- Molded-in color matching
- EMI/RFI shielding
- Factory-supplied silk screening



NOTE: COVER REMOVED FOR CLARITY



LATCH LOCATIONS



\*Nom. Wall Thickness: .13 (3mm)  
16" size: .16 (4mm)  
18" & 20" sizes: .19 (5mm)

| Part No.                   | Box Size |       |       | Usable Depth | Panel Boss Centers |       | Back Panel Size |       |                 | Flange Mount Centers |              | Foot Mount Centers |       | Cover Size |       |       |       | Window Dim. (H x W) |
|----------------------------|----------|-------|-------|--------------|--------------------|-------|-----------------|-------|-----------------|----------------------|--------------|--------------------|-------|------------|-------|-------|-------|---------------------|
|                            | A        | B     | C     |              | F                  | S     | Z               | Ht.   | Wid.            | P/N                  | J            | I                  | H     | L          | K     | M     | W     |                     |
| AMU664NLW<br>AMU664NLWF    | 6.04     | 6.26  | 4.13  | 3.99         | 4.25               | 4.25  | 4.81            | 4.81  | PL66<br>PLA66   | 4.00                 | 6.88, 6.75   | 4.91               | 6.75  | 5.70       | 5.53  | 6.72  | 6.50  | 3.50 x 3.50         |
|                            | 153mm    | 159mm | 105mm | 101mm        | 108mm              | 108mm | 122mm           | 122mm |                 | 102mm                | 175, 171mm   | 125mm              | 171mm | 145mm      | 140mm | 171mm | 165mm | 89mm x 89mm         |
| AMU864NLW<br>AMU864NLWF    | 8.06     | 6.28  | 4.13  | 4.00         | 6.25               | 4.25  | 6.75            | 4.88  | PL86<br>PLA86   | 4.00                 | 8.88, 8.75   | 4.91               | 8.75  | 5.75       | 7.53  | 6.72  | 8.50  | 5.25 x 4.00         |
|                            | 205mm    | 160mm | 105mm | 102mm        | 159mm              | 108mm | 171mm           | 124mm |                 | 102mm                | 222, 226mm   | 125mm              | 222mm | 146mm      | 191mm | 171mm | 216mm | 133mm x 102mm       |
| AMU1084NLW<br>AMU1084NLWF  | 10.05    | 8.27  | 4.13  | 4.00         | 8.25               | 6.25  | 8.75            | 6.88  | PL108<br>PLA108 | 6.00                 | 10.75        | 6.91               | 10.75 | 7.75       | 9.53  | 8.72  | 10.50 | 6.25 x 4.25         |
|                            | 255mm    | 210mm | 105mm | 102mm        | 210mm              | 159mm | 222mm           | 175mm |                 | 152mm                | 273mm        | 176mm              | 273mm | 197mm      | 242mm | 221mm | 267mm | 159mm x 108mm       |
| ★AMU1086NLW<br>AMU1086NLWF | 10.04    | 8.26  | 6.13  | 6.10         | 8.25               | 6.25  | 8.75            | 6.88  | PL108<br>PLA108 | 6.00                 | 10.75        | 6.91               | 10.75 | 7.75       | 9.53  | 8.72  | 10.50 | 6.25 x 4.25         |
|                            | 255mm    | 210mm | 156mm | 155mm        | 210mm              | 159mm | 222mm           | 175mm |                 | 152mm                | 273mm        | 175mm              | 273mm | 197mm      | 242mm | 221mm | 267mm | 159mm x 108mm       |
| AMU1206NLW<br>AMU1206NLWF  | 12.05    | 10.27 | 6.13  | 6.00         | 10.25              | 8.25  | 10.75           | 8.88  | PL120<br>PLA120 | 8.00                 | 12.75        | 8.82               | 12.70 | 9.75       | 11.53 | 10.72 | 12.50 | 8.38 x 6.50         |
|                            | 306mm    | 261mm | 156mm | 153mm        | 260mm              | 210mm | 273mm           | 226mm |                 | 203mm                | 324mm        | 224mm              | 323mm | 248mm      | 293mm | 272mm | 318mm | 213mm x 165mm       |
| AMU1426NLW<br>AMU1426NLWF  | 14.05    | 12.27 | 6.13  | 6.00         | 12.25              | 10.25 | 12.75           | 10.88 | PL142<br>PLA142 | 10.01                | 14.75, 14.62 | 10.82              | 14.70 | 11.75      | 13.53 | 12.72 | 14.50 | 10.38 x 8.51        |
|                            | 357mm    | 312mm | 156mm | 152mm        | 311mm              | 260mm | 324mm           | 276mm |                 | 254mm                | 375, 371mm   | 275mm              | 373mm | 298mm      | 344mm | 323mm | 368mm | 264mm x 216mm       |
| AMU1648NLW<br>AMU1648NLWF  | 16.05    | 14.27 | 8.14  | 7.99         | 14.25              | 12.25 | 14.75           | 12.88 | P164<br>PA164   | 12.00                | 16.75        | 11.47              | 16.91 | 13.75      | 15.53 | 14.72 | 16.50 | 12.38 x 10.50       |
|                            | 408mm    | 362mm | 207mm | 203mm        | 362mm              | 311mm | 375mm           | 327mm |                 | 305mm                | 425mm        | 291mm              | 430mm | 349mm      | 394mm | 374mm | 419mm | 314mm x 267mm       |
| AMU1860NLW<br>AMU1860NLWF  | 18.12    | 16.34 | 10.13 | 10.00        | 16.26              | 14.26 | 16.88           | 14.88 | P186<br>PA186   | 12.00                | 18.88, 18.76 | 13.72              | 19.16 | 15.75      | 17.78 | 16.97 | 18.75 | 13.00 x 11.00       |
|                            | 460mm    | 415mm | 257mm | 254mm        | 413mm              | 362mm | 429mm           | 378mm |                 | 305mm                | 480, 477mm   | 348mm              | 487mm | 400mm      | 452mm | 431mm | 476mm | 330mm x 267mm       |
| AMU2060NLW<br>AMU2060NLWF  | 19.87    | 16.09 | 10.14 | 9.99         | 17.81              | 13.81 | 18.44           | 14.44 | P206<br>PA206   | 10.00                | 21.28        | 13.16              | 20.53 | 15.75      | 19.53 | 16.72 | 20.50 | 14.00 x 12.00       |
|                            | 505mm    | 409mm | 257mm | 254mm        | 452mm              | 351mm | 468mm           | 367mm |                 | 254mm                | 540mm        | 334mm              | 521mm | 400mm      | 496mm | 425mm | 521mm | 356mm x 305mm       |

All dimensions are in inches unless otherwise noted

Data subject to change without notice

"I" dimensions with multiple numbers indicate slotted holes

Enclosure base part numbers come standard with 4 separately bagged feet (ex. AMU664NLW)

Part numbers with "F" signify factory installed flanges (ex. AMU664NLWF)

Additional back panels found on page 128

★Coming soon!

