

# AMU Series

## JIC SIZE JUNCTION BOXES

### Cover Type

Clear Polycarbonate

### Closure Type

Nonmetal Snap Latch  
Hinged Cover



### Application

Designed to insulate and protect controls and components in both indoor and outdoor applications often found in oil refineries, waste water treatment equipment, chemical plants, and many other applications

- Especially well suited for high temperature or corrosive environments
- Protects from dirt, dust, oil and water
- For use with industrial control equipment
- Clear polycarbonate instrumentation cover, used in applications where critical electronic equipment must be visible and protected from the elements

### Standards

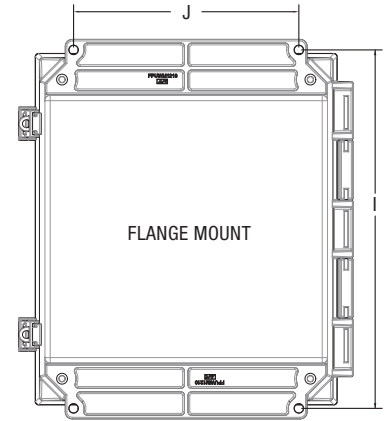
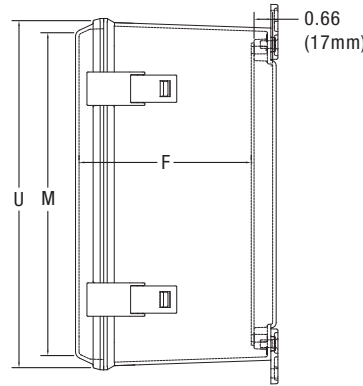
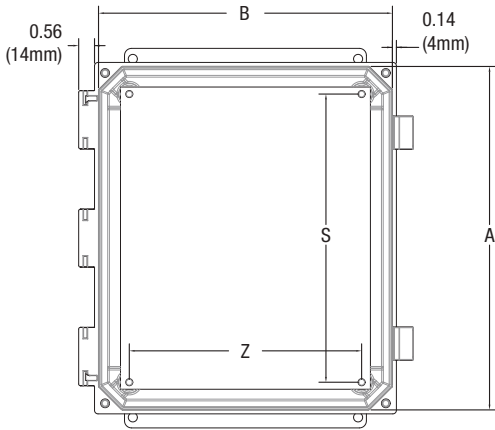
- UL 50 and UL 50E Types 1, 2, 3, 3R, 4, 4X, 12 and 13
- CSA C22.2 No. 94 Types 1, 2, 3, 3R, 4, 4X, 12 and 13
- Complies with:
  - NEMA Types 1, 2, 3, 3R, 4, 4X, 12 and 13
  - IEC 60529 Type IP66
  - RoHS directive

### Construction

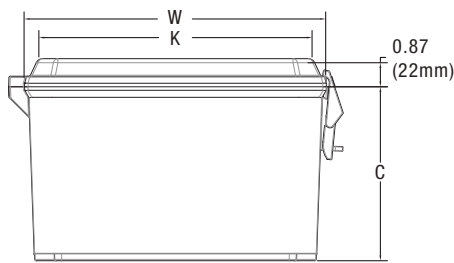
- Compression molded fiberglass reinforced polyester construction with flush, clear polycarbonate cover
- Allied Moulded ULTRAGUARD® fiberglass reinforced polyester material formulation - UV stabilized for outdoor use
- Enclosure base, feet, flanges — Light gray color (RAL 7035)  
*Note: foot models mounting hardware supplied in a bag. Flanged models are pre-assembled*
- 316 stainless steel hinge pin and polycarbonate snap latches with padlock hasp (.281" dia.)
- Formed-In-Place (FIP) polyurethane gasket system encased in continuous channel
- Polycarbonate foot/flange mounting brackets with 316 stainless steel fasteners
- #10-32 threaded brass inserts are installed for back panel mounting

### Accessories & Modifications

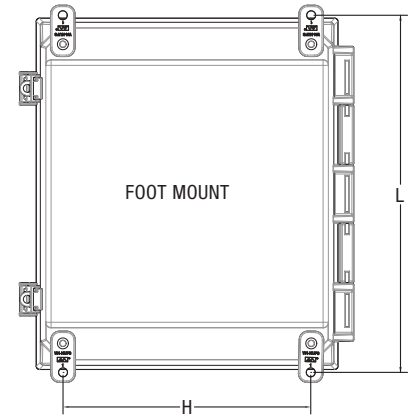
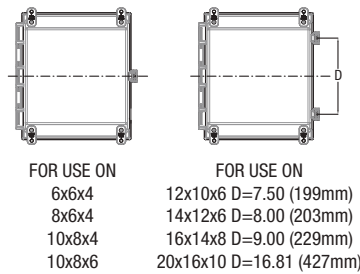
- Optional back panels and hinged front panels
- Custom holes and cutouts
- Molded-in color matching
- EMI/RFI shielding
- Factory-supplied silk screening



NOTE: COVER REMOVED FOR CLARITY



LATCH LOCATIONS



\*Nom. Wall Thickness: .13 (3mm)  
16" size: .16 (4mm)  
18" & 20" sizes: .19 (5mm)

Part No.	Box Size			Usable Depth	Panel Boss Centers		Back Panel Size			Flange Mount Centers		Foot Mount Centers		Cover Size			
	A	B	C		F	S	Z	Ht.	Wid.	P/N	J	I	H	L	K	M	W
AMU664CCNL AMU664CCNLF	6.04 153mm	6.26 159mm	4.12 105mm	4.09 103mm	4.25 108mm	4.25 108mm	4.81 122mm	4.81 122mm	PL66 PLA66	4.00 102mm	6.88, 6.75 175, 171mm	4.91 125mm	6.75 171mm	5.70 145mm	5.53 140mm	6.72 171mm	6.50 165mm
AMU864CCNL AMU864CCNLF	8.06 205mm	6.28 160mm	4.13 105mm	4.11 104mm	6.25 159mm	4.25 108mm	6.75 171mm	4.88 124mm	PL86 PLA86	4.00 102mm	8.88, 8.75 222, 226mm	4.91 125mm	8.75 222mm	5.75 146mm	7.53 191mm	6.72 171mm	8.50 216mm
★AMU1084CCNL AMU1084CCNLF	10.05 255mm	8.27 210mm	4.13 105mm	4.12 105mm	8.25 210mm	6.25 159mm	8.75 222mm	6.88 175mm	PL108 PLA108	6.00 152mm	10.75 273mm	6.91 176mm	10.75 273mm	7.75 197mm	9.53 242mm	8.72 221mm	10.50 267mm
AMU1086CCNL AMU1086CCNLF	10.04 255mm	8.26 210mm	6.13 156mm	6.10 155mm	8.25 210mm	6.25 159mm	8.75 222mm	6.88 175mm	PL108 PLA108	6.00 152mm	10.75 273mm	6.91 175mm	10.75 273mm	7.75 197mm	9.53 242mm	8.72 221mm	10.50 267mm
AMU1206CCNL AMU1206CCNLF	12.05 306mm	10.27 261mm	6.13 156mm	6.12 155mm	10.25 260mm	8.25 210mm	10.75 273mm	8.88 226mm	PL120 PLA120	8.00 203mm	12.75 324mm	8.82 224mm	12.70 323mm	9.75 248mm	11.53 293mm	10.72 272mm	12.50 318mm
AMU1426CCNL AMU1426CCNLF	14.05 357mm	12.27 312mm	6.13 156mm	6.11 155mm	12.25 311mm	10.25 260mm	12.75 324mm	10.88 276mm	PL142 PLA142	10.01 254mm	14.75, 14.62 375, 371mm	10.82 275mm	14.70 373mm	11.75 298mm	13.53 344mm	12.72 323mm	14.50 368mm
AMU1648CCNL AMU1648CCNLF	16.05 408mm	14.27 362mm	8.14 207mm	8.09 205mm	14.25 362mm	12.25 311mm	14.75 375mm	12.88 327mm	P164 PA164	12.00 305mm	16.75 425mm	11.47 291mm	16.91 430mm	13.75 349mm	15.53 394mm	14.72 374mm	16.50 419mm
★AMU2060CCNL AMU2060CCNLF	19.87 505mm	16.09 409mm	10.14 257mm	10.09 256mm	17.81 452mm	13.81 351mm	18.44 468mm	14.44 367mm	P206 PA206	10.00 254mm	21.28 541mm	13.16 334mm	20.53 521mm	15.75 400mm	19.53 496mm	16.72 425mm	20.50 521mm

All dimensions are in inches unless otherwise noted

"I" dimensions with multiple numbers indicate slotted holes

Enclosure base part numbers come standard with 4 separately bagged feet (ex. AMU664CCNL)

Part numbers with "F" signify factory installed flanges (ex. AMU664CCNLF)

Additional back panels found on page 128

★Coming soon!

Data subject to change without notice

