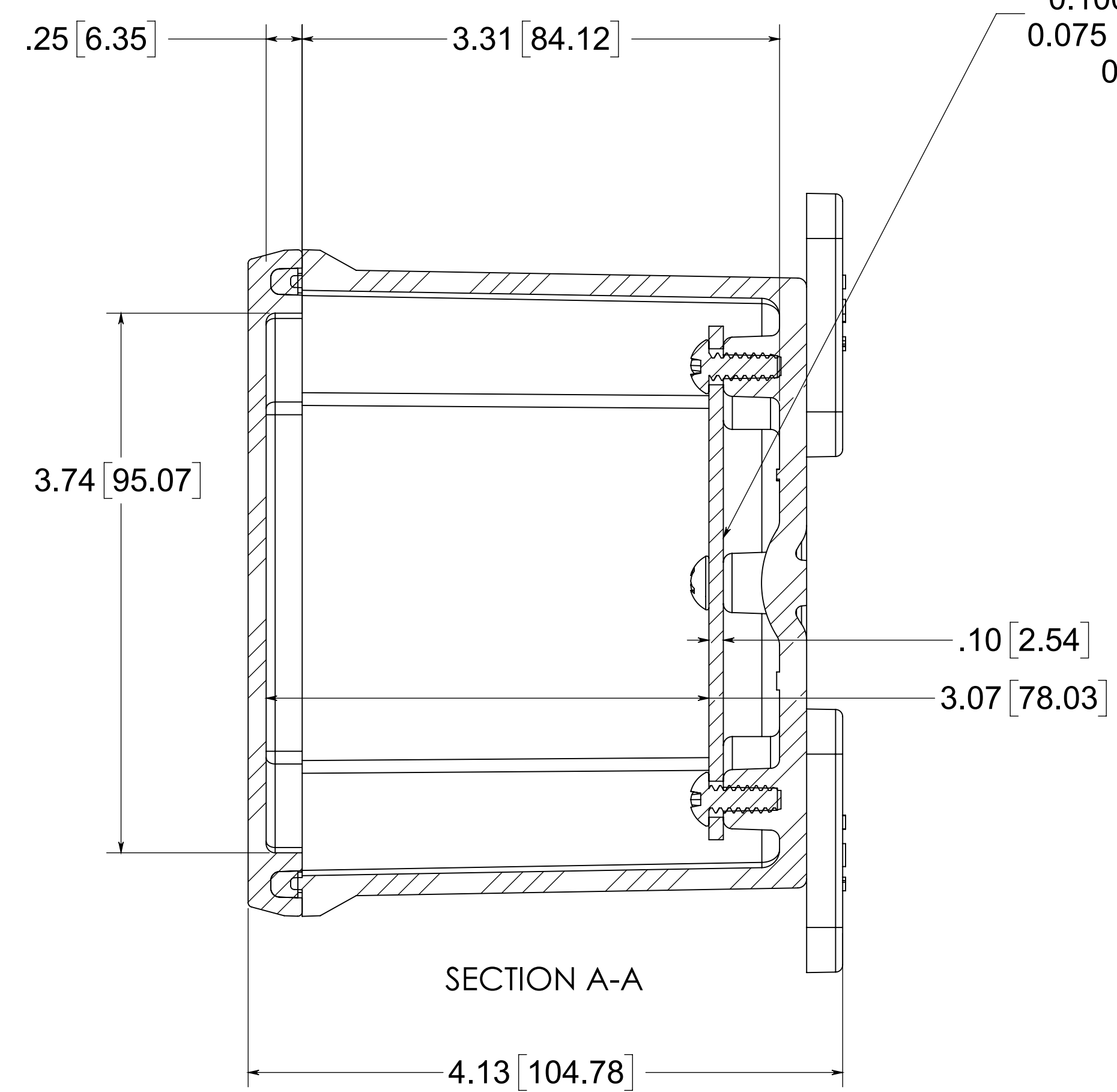
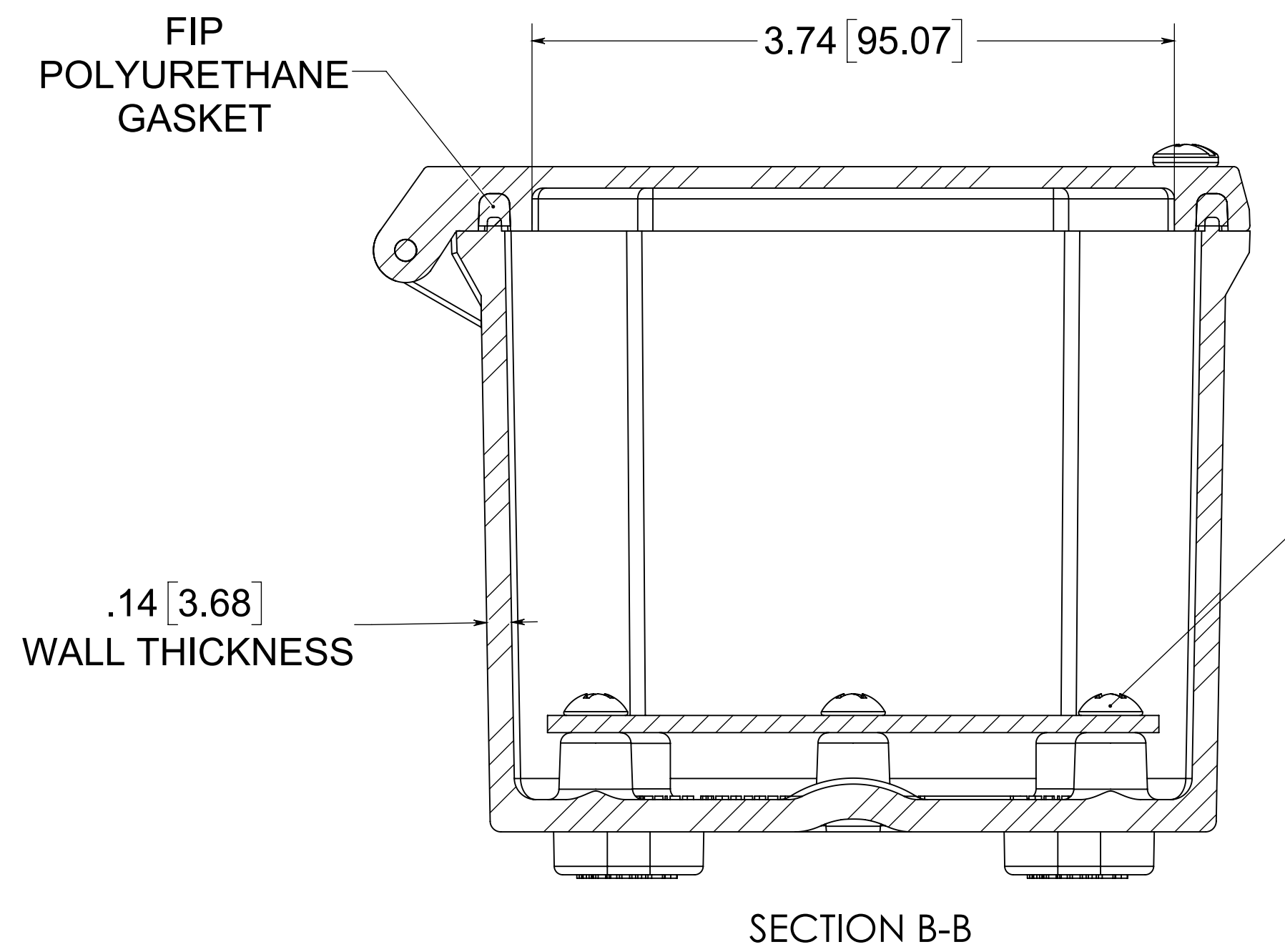
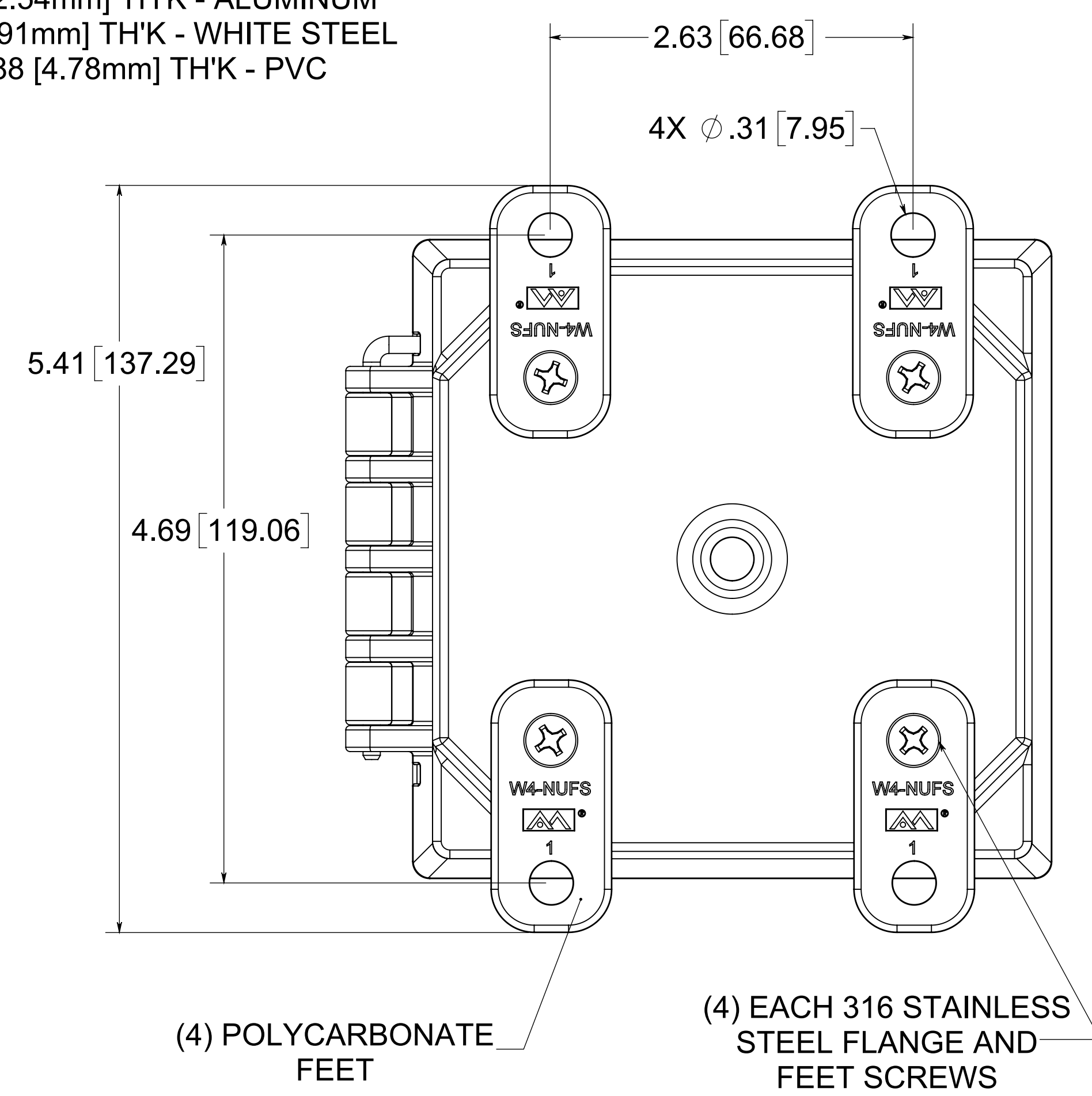


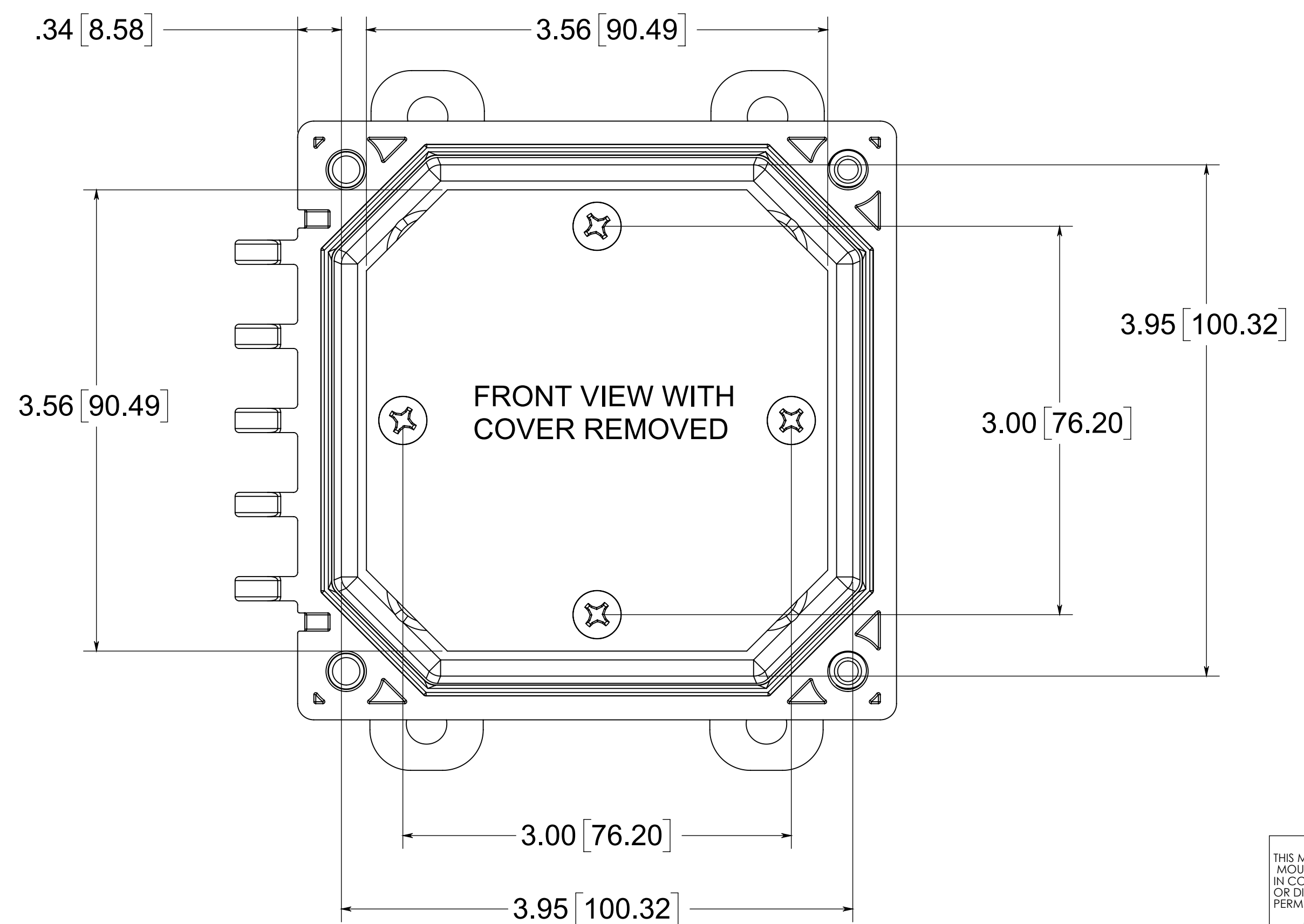
316 STAINLESS STEEL HINGE PIN



OPTIONAL BACK PANEL SHOWN  
 0.100 [2.54mm] TH'K - ALUMINUM  
 0.075 [1.91mm] TH'K - WHITE STEEL  
 0.188 [4.78mm] TH'K - PVC

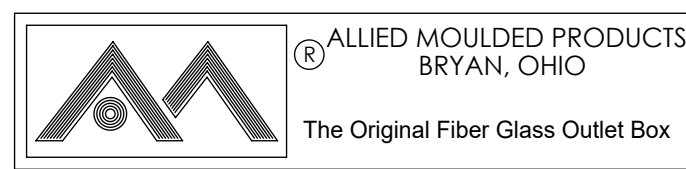


FIP POLYURETHANE GASKET



NOTE:  
1. DATA SUBJECT TO CHANGE WITHOUT NOTICE

MATERIAL:  
 BOX - INJECTED POLYCARBONATE  
 STANDARD COVER - INJECTED POLYCARBONATE  
 CLEAR COVER - INJECTED POLYCARBONATE



CONFIDENTIAL  
 THIS MATERIAL IS OWNED BY THE ALLIED MOULDED PRODUCTS COMPANY, IS DISCLOSED IN CONFIDENCE, AND IS NOT TO BE REPRODUCED OR DISTRIBUTED WITHOUT PRIOR WRITTEN PERMISSION FROM ALLIED MOULDED PRODUCTS.  
 © 2018 Allied Moulded Products, Inc. All Rights Reserved

Description  
**AMP Polyline**  
 Part No.  
**AMP443CCH**