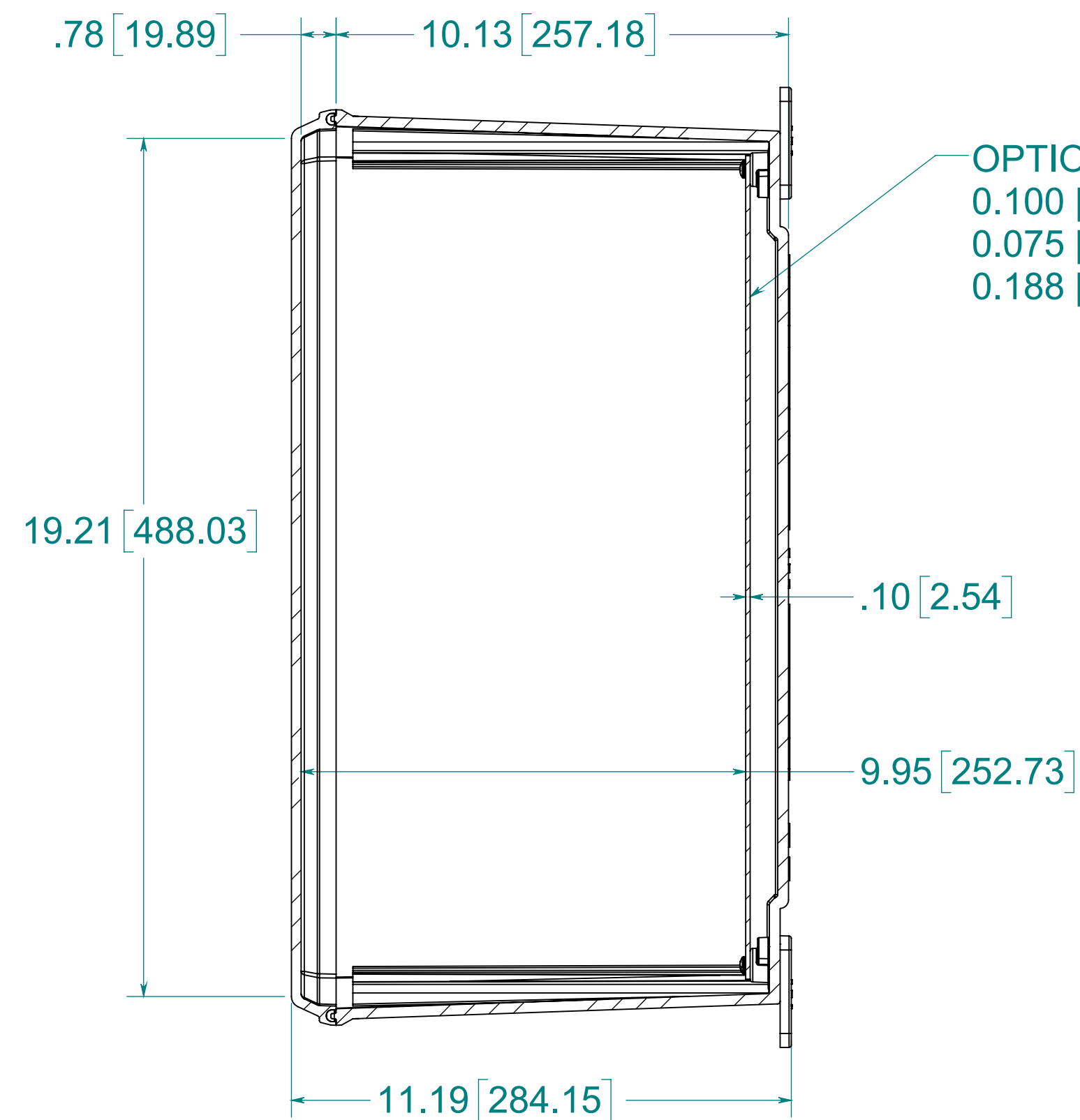
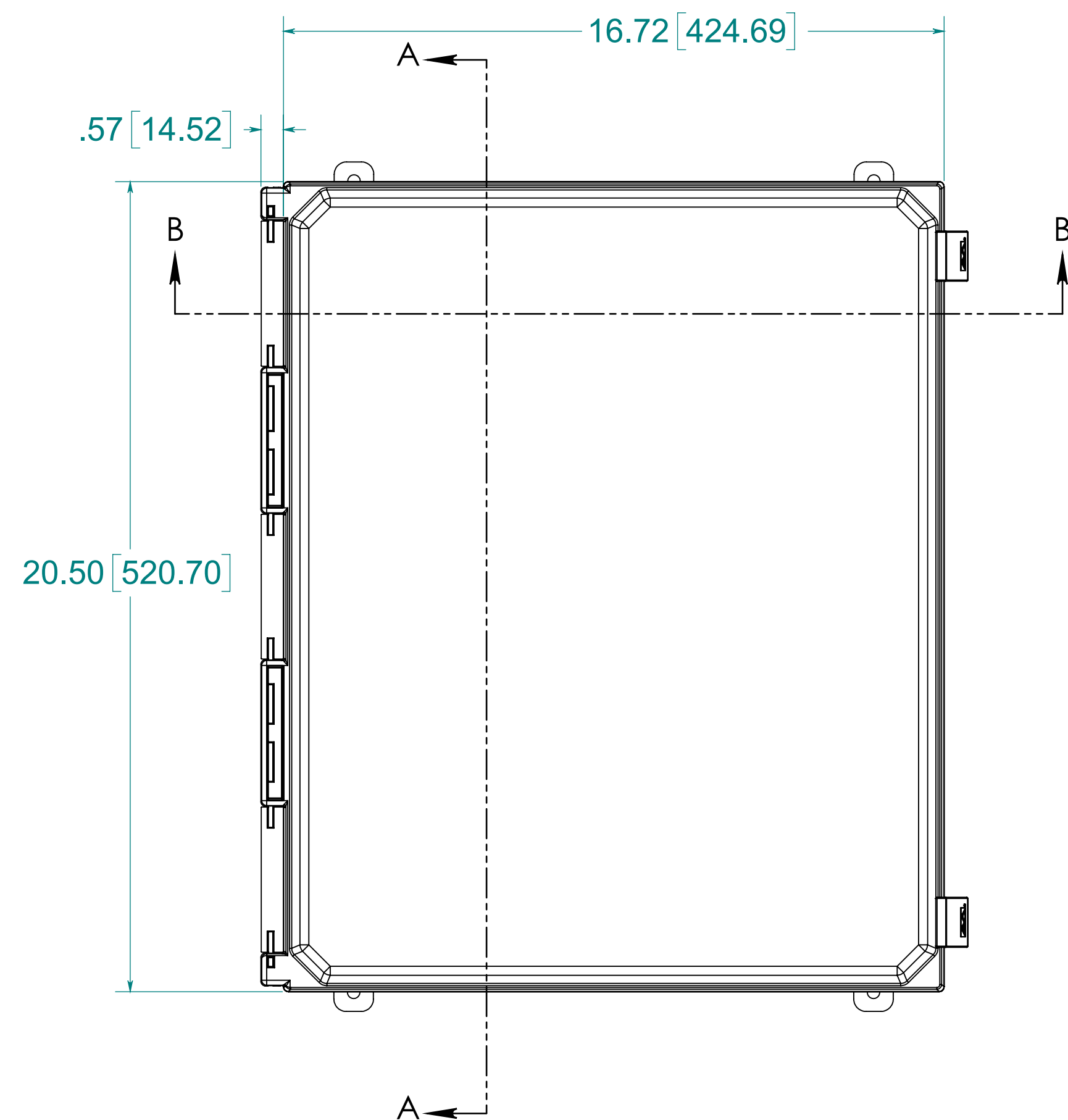
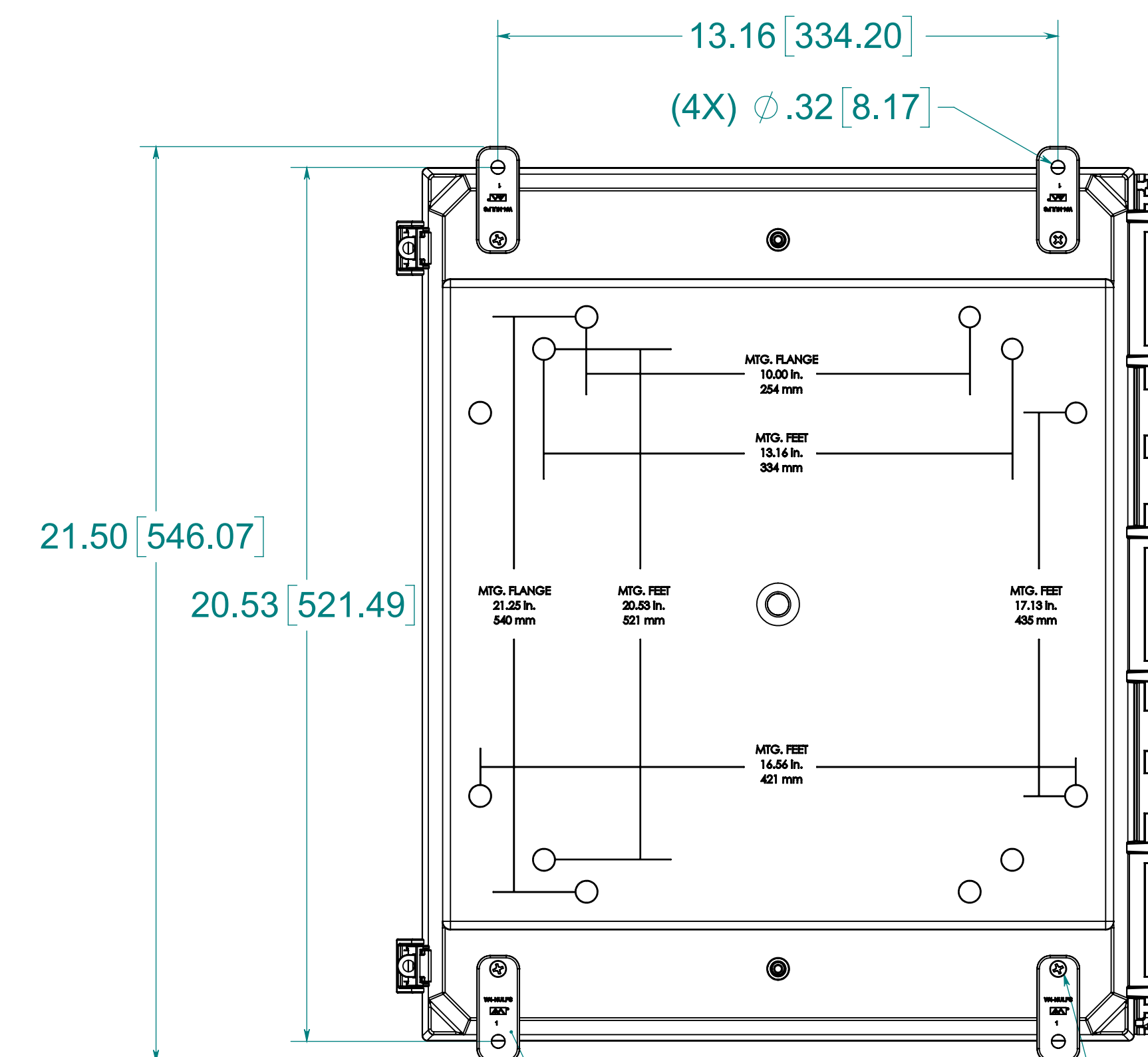


Date	Rev	Description	ECN No.	ISSUE DATE	DR	CK	REL
08/02/2019		INITIAL RELEASE	ECN-314		DJL	SRH	GEL
-	-	-	-	-	-	-	-
-	-	-	-	-	-	-	-



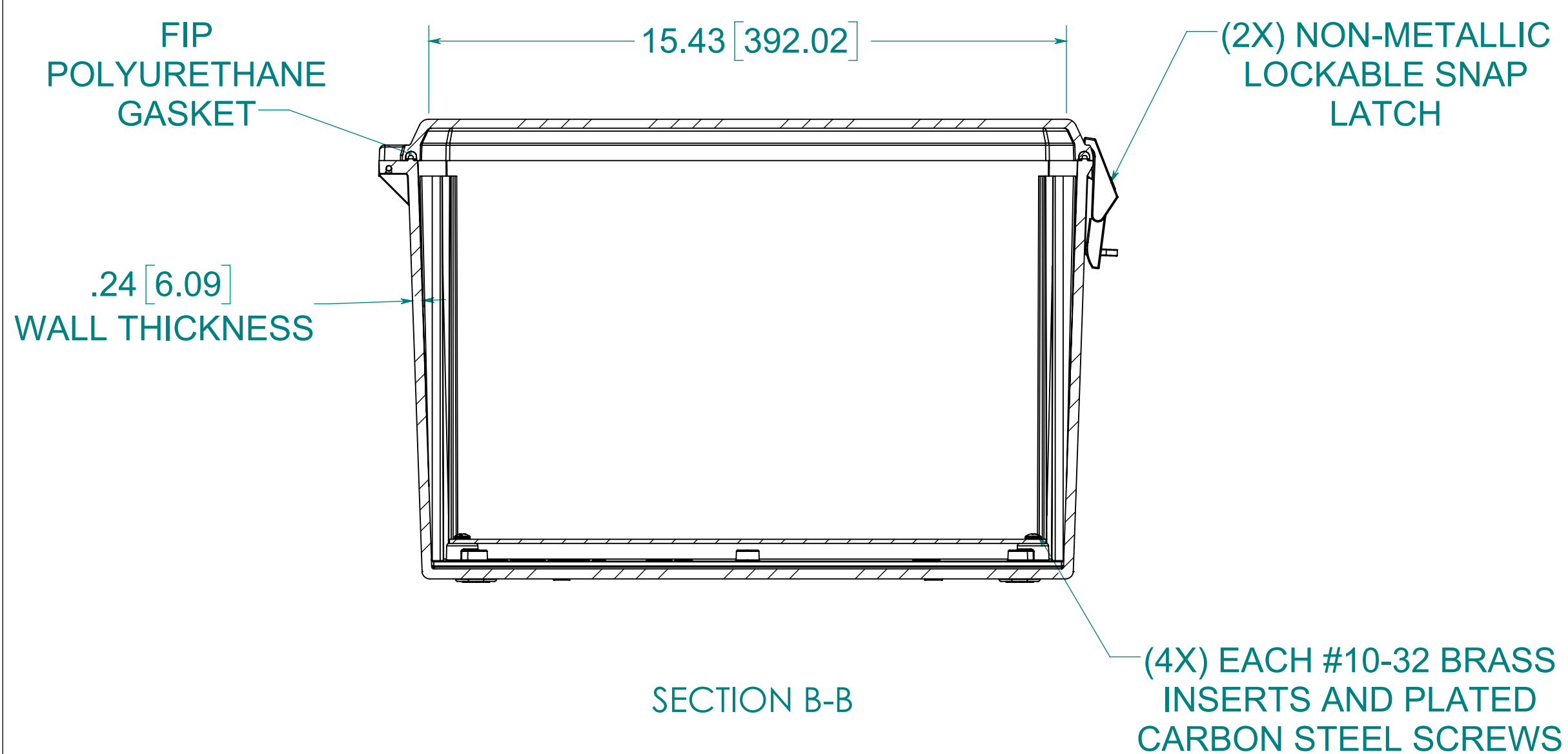
SECTION A-A

OPTIONAL BACK PANEL SHOWN
 0.100 [2.54mm] TH'K- ALUMINUM
 0.075 [1.91mm] TH'K- WHITE STEEL
 0.188 [4.78mm] TH'K- PVC



(4X) POLYCARBONATE FEET

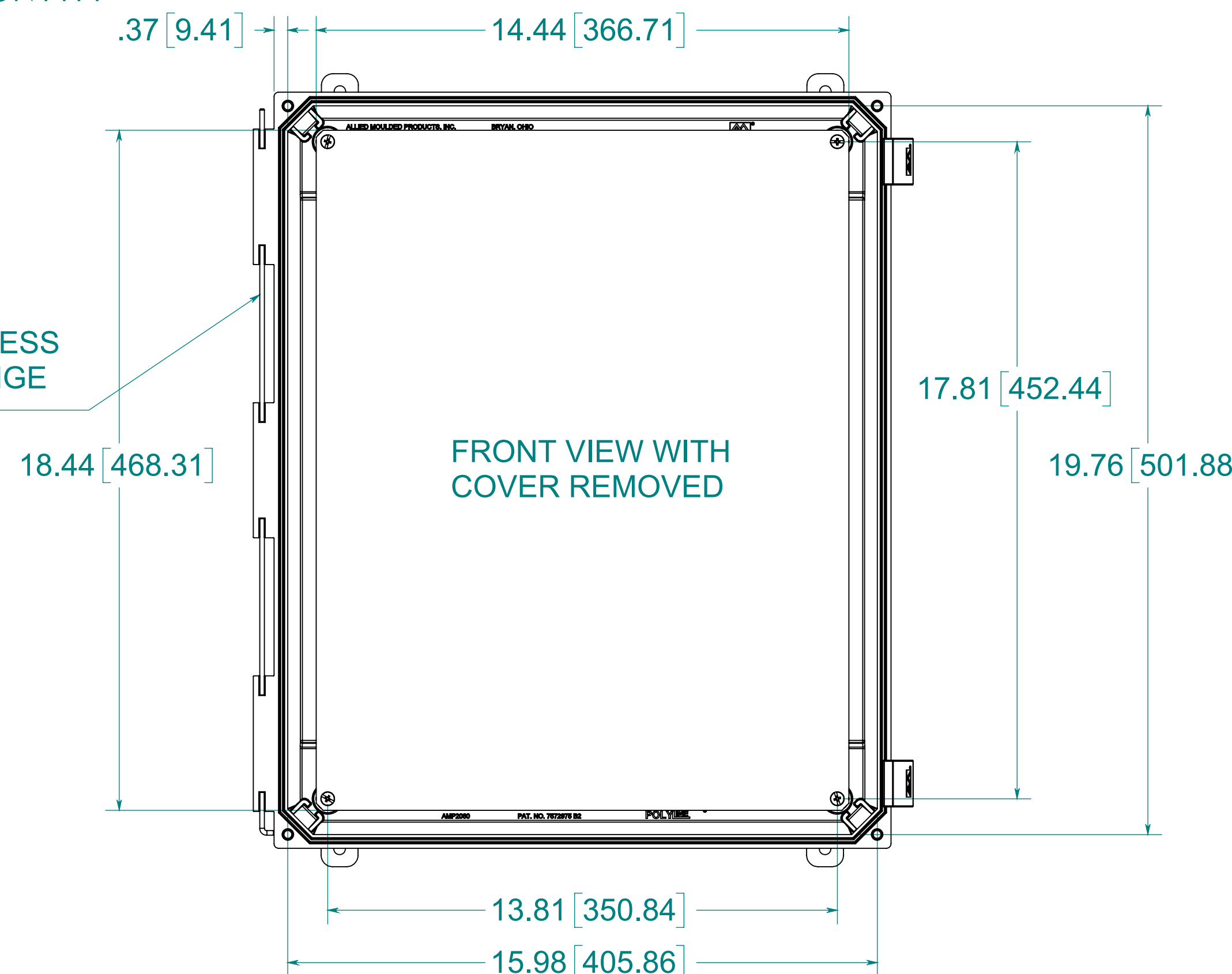
(4X) EACH #10-32 BRASS INSERTS AND 316 STAINLESS STEEL FEET SCREWS



SECTION B-B

(4X) EACH #10-32 BRASS INSERTS AND PLATED CARBON STEEL SCREWS

316 STAINLESS STEEL HINGE PIN



FRONT VIEW WITH COVER REMOVED

MATERIAL:
 BOX- INJECTED POLYCARBONATE
 STANDRAD COVER- INJECTED POLYCARBONATE
 CLEAR COVER- INJECTED POLYCARBONATE

NOTE:
 1. DATA SUBJECT TO CHANGE WITHOUT NOTICE



Description
AMP Polyline
 Part No.
AMP2060NL

CONFIDENTIAL
 THIS MATERIAL IS OWNED BY THE ALLIED MOULDED PRODUCTS COMPANY, IS DISCLOSED IN CONFIDENCE, AND IS NOT TO BE REPRODUCED OR DISTRIBUTED WITHOUT PRIOR WRITTEN PERMISSION FROM ALLIED MOULDED PRODUCTS.
 © 2018 Allied Moulded Products, Inc.
 All Rights Reserved