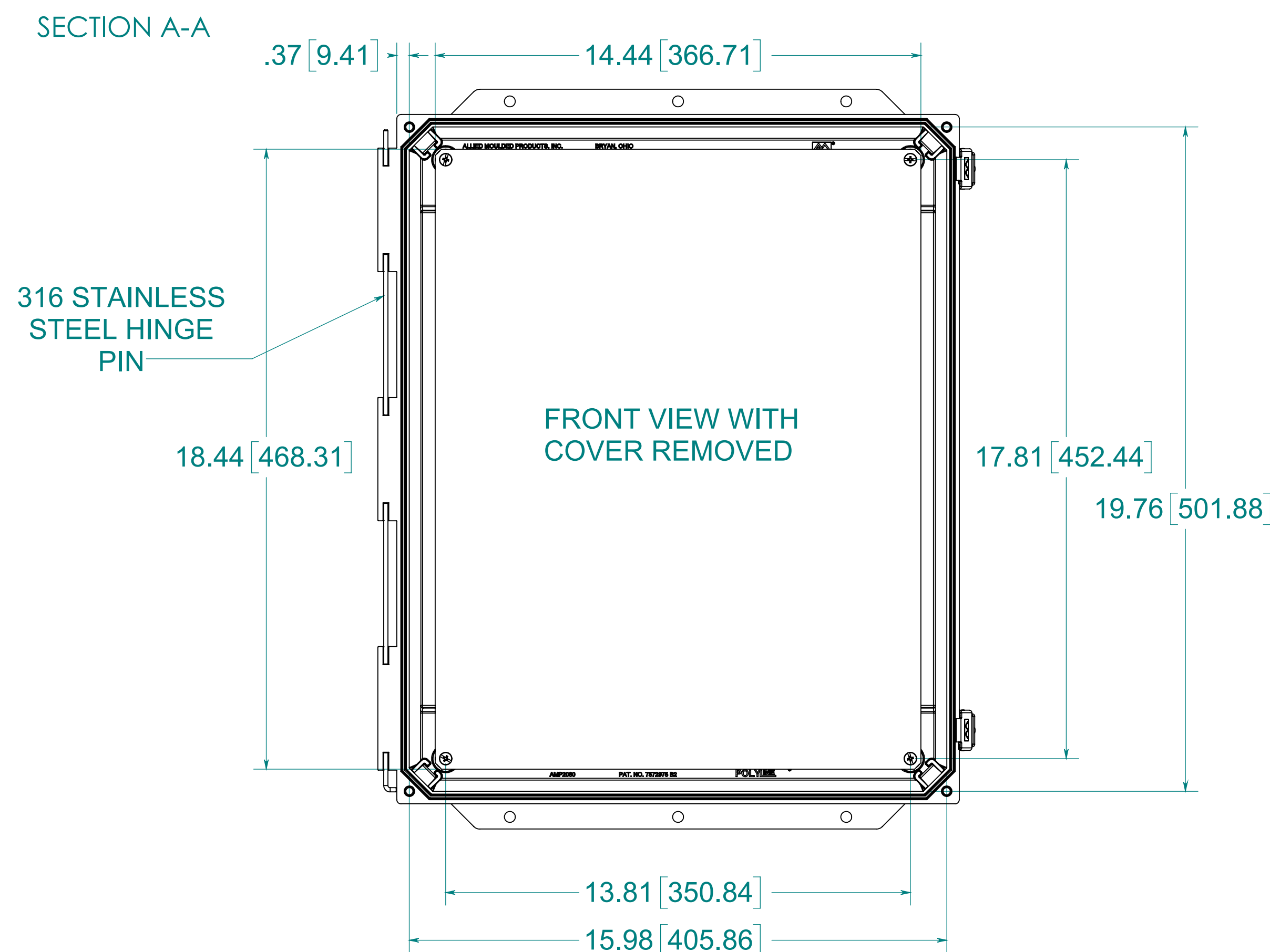
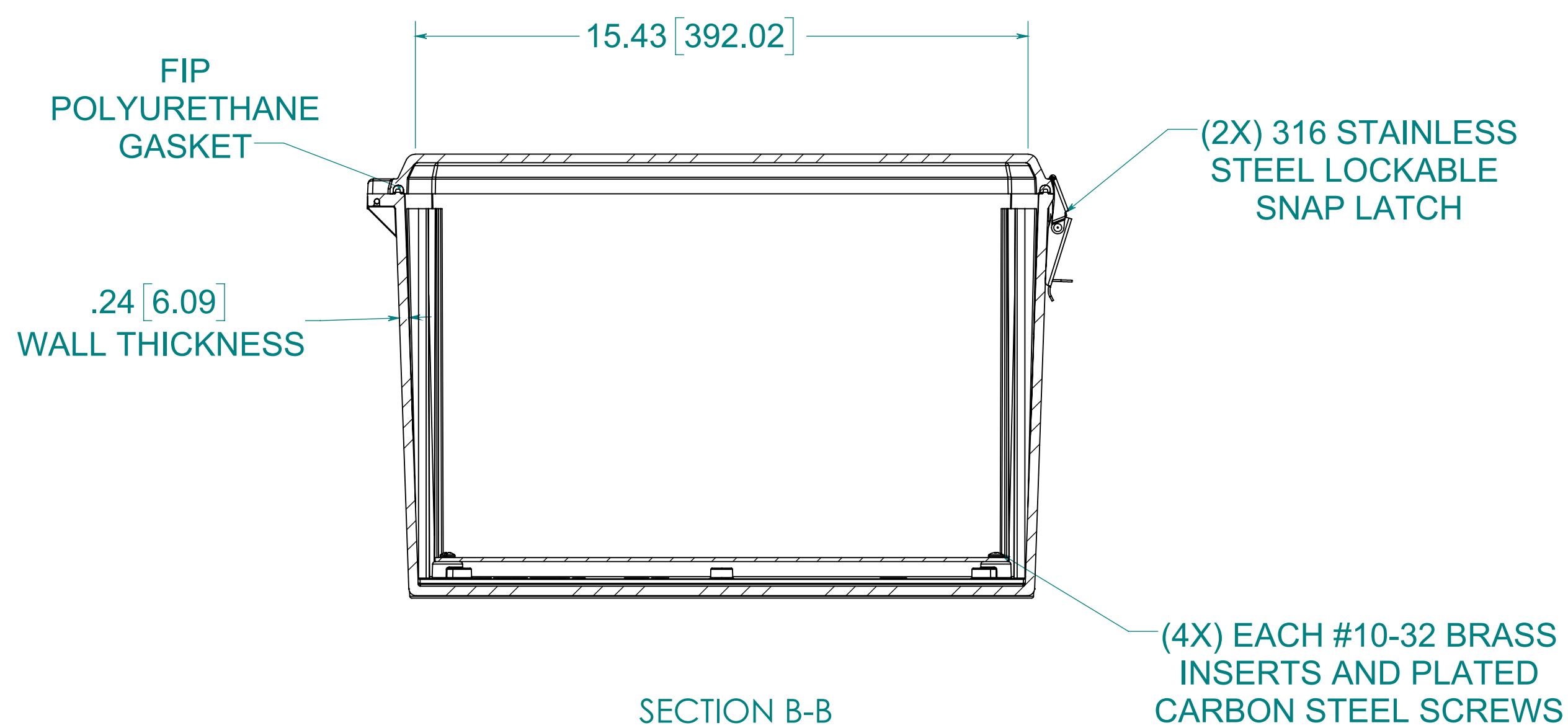
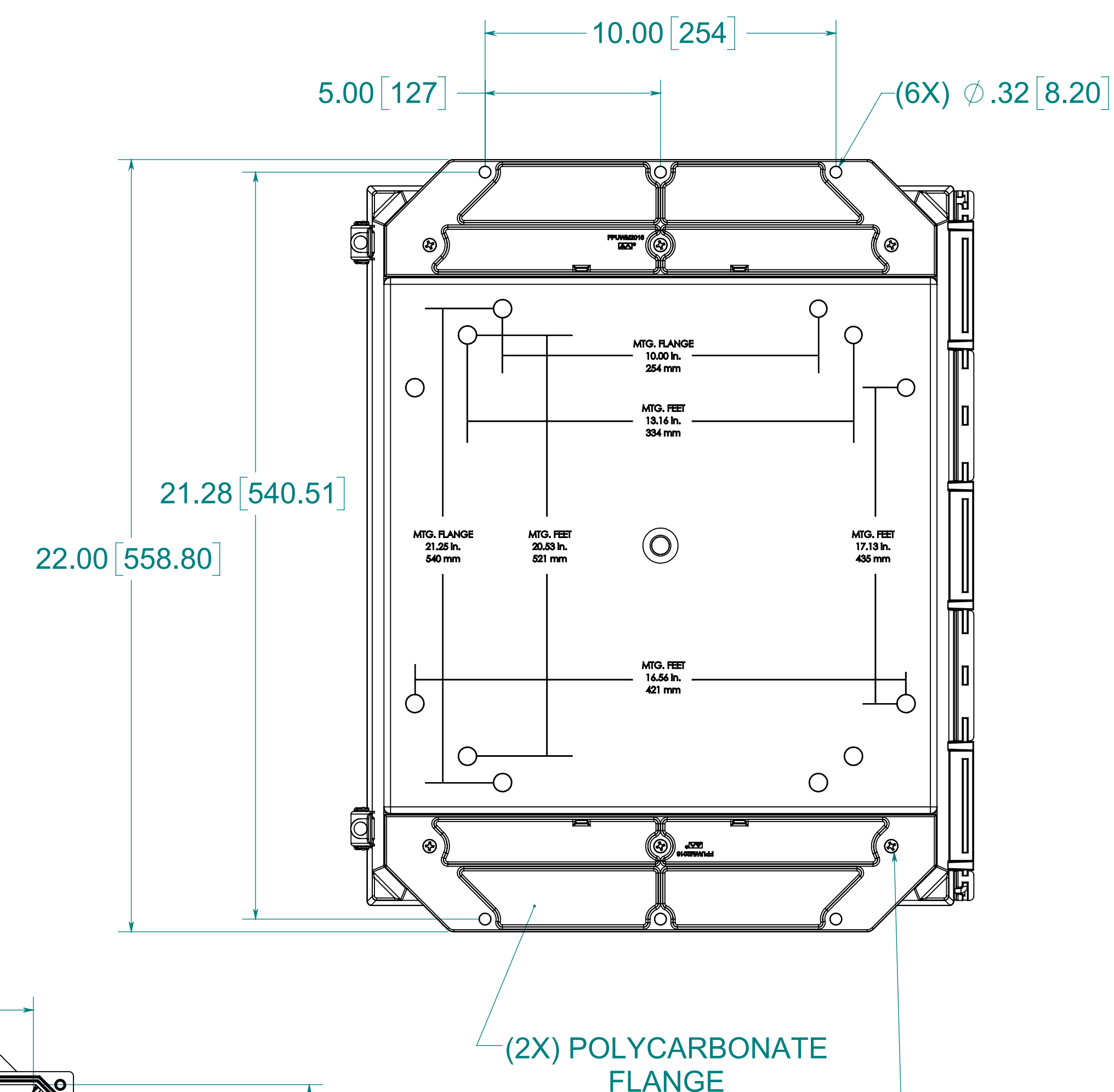
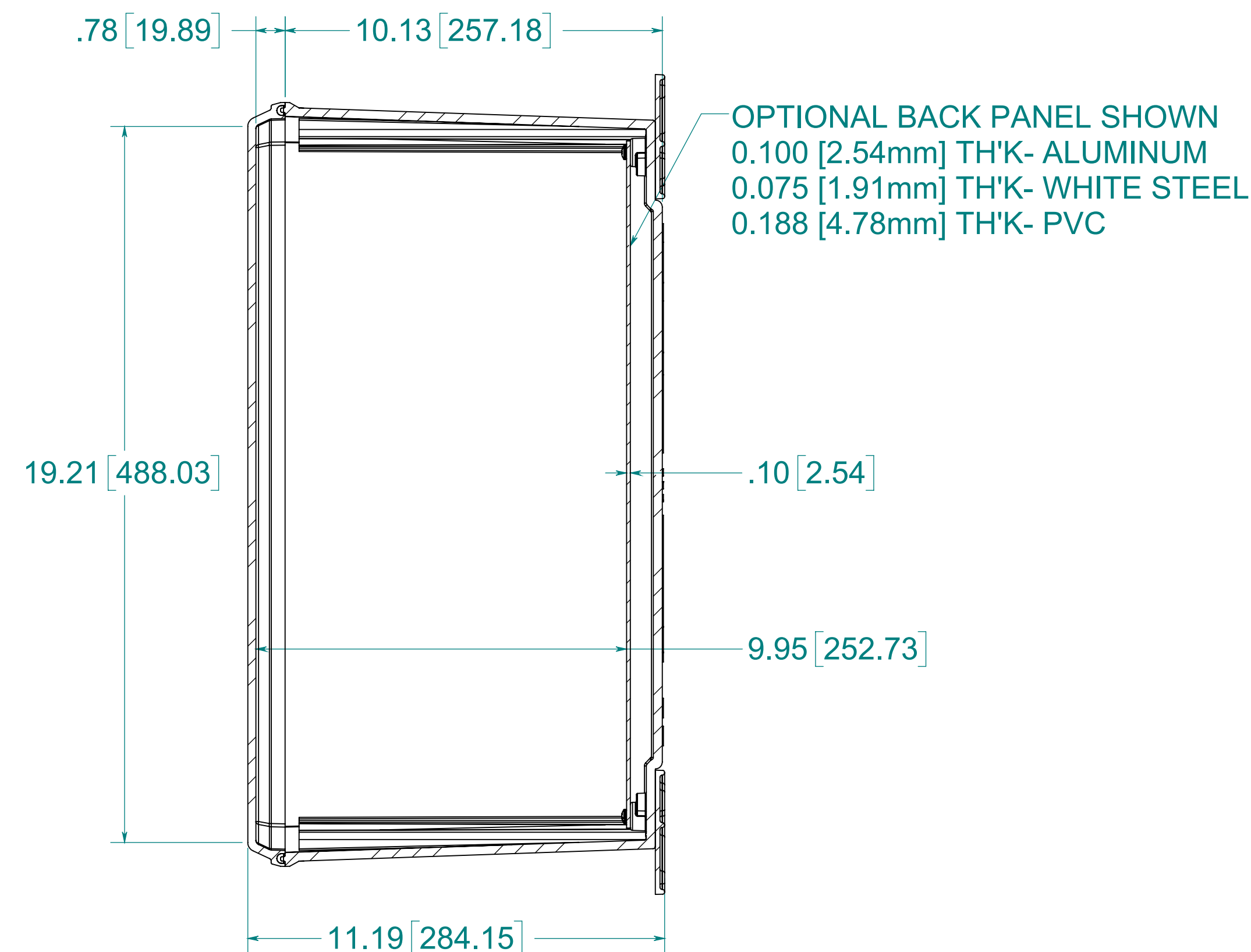
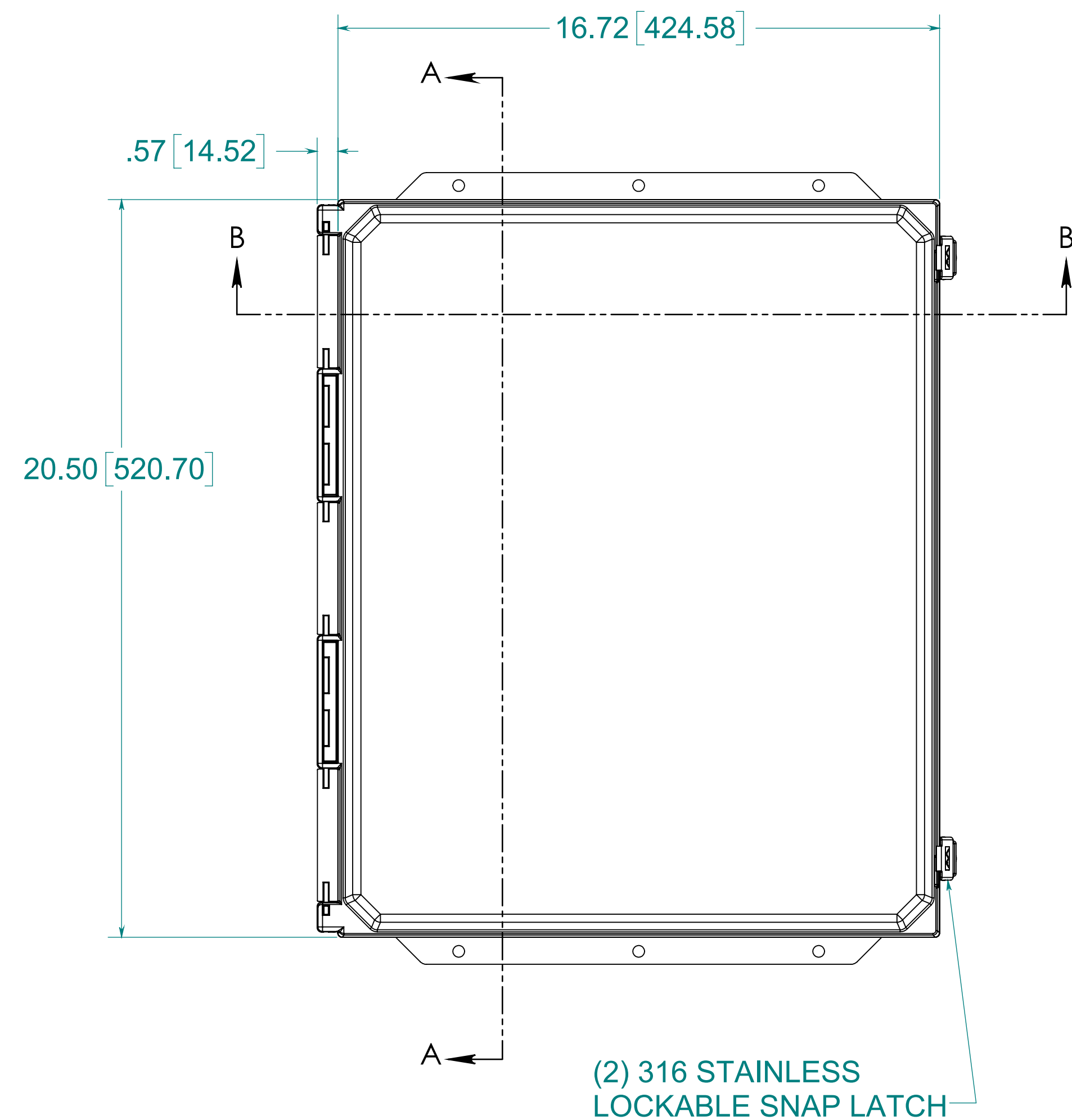


| Date | Rev | Description | ECN No. | ISSUE DATE | DR | CK | REL |
|------------|-----|-----------------|---------|------------|-----|-----|-----|
| 08/02/2019 | | INITIAL RELEASE | ECN-314 | | DJL | SRH | GEL |
| - | - | - | - | - | - | - | - |
| - | - | - | - | - | - | - | - |



NOTE:
1. DATA SUBJECT TO CHANGE WITHOUT NOTICE

MATERIAL:
BOX- INJECTED POLYCARBONATE
STANDARD COVER- INJECTED POLYCARBONATE
CLEAR COVER- INJECTED POLYCARBONATE



CONFIDENTIAL
THIS MATERIAL IS OWNED BY THE ALLIED MOULDED PRODUCTS COMPANY, IS DISCLOSED IN CONFIDENCE, AND IS NOT TO BE REPRODUCED OR DISTRIBUTED WITHOUT PRIOR WRITTEN PERMISSION FROM ALLIED MOULDED PRODUCTS.
© 2018 Allied Moulded Products, Inc. All Rights Reserved

Description
AMP Polyline
Part No.
AMP2060LF