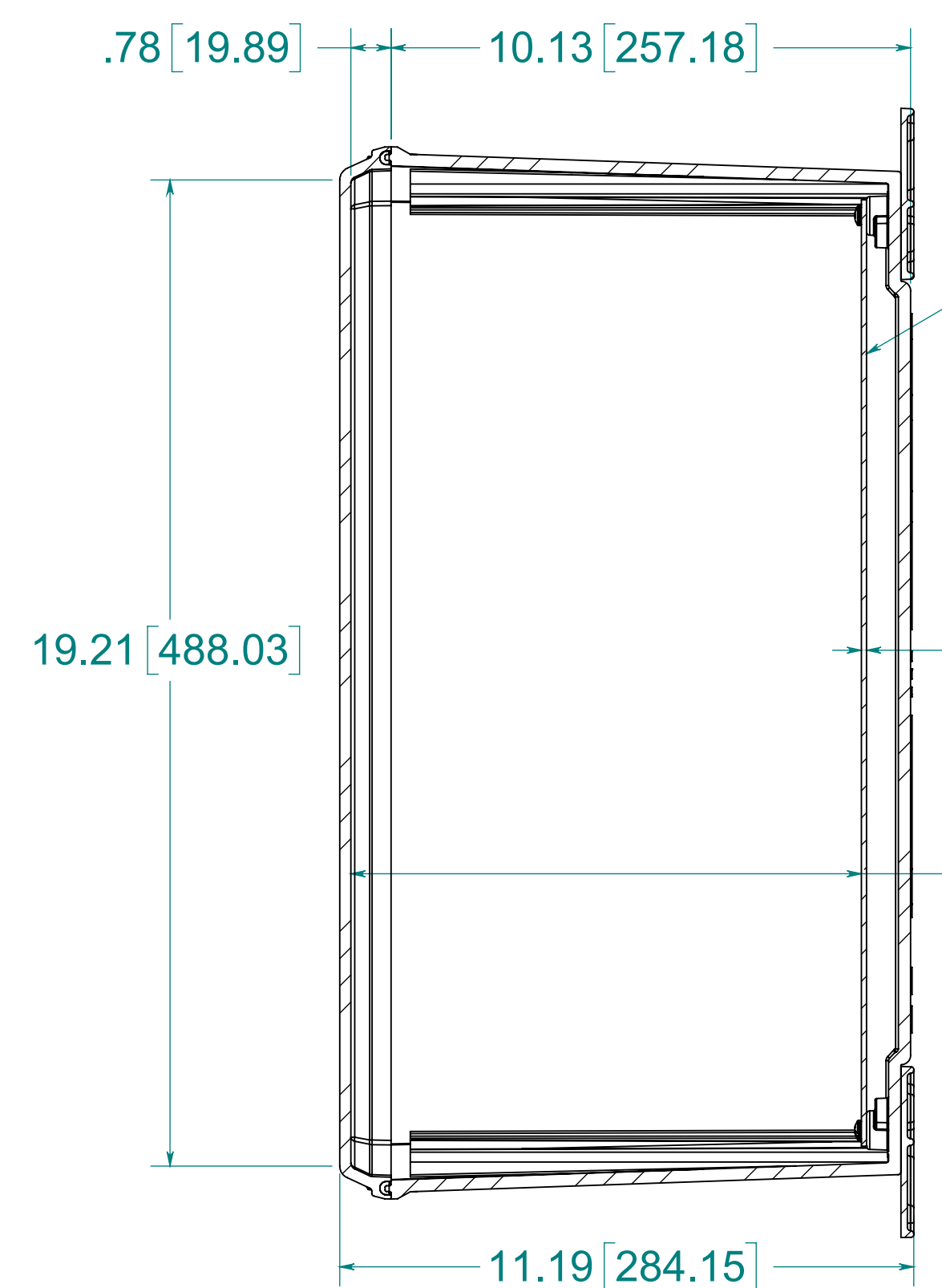
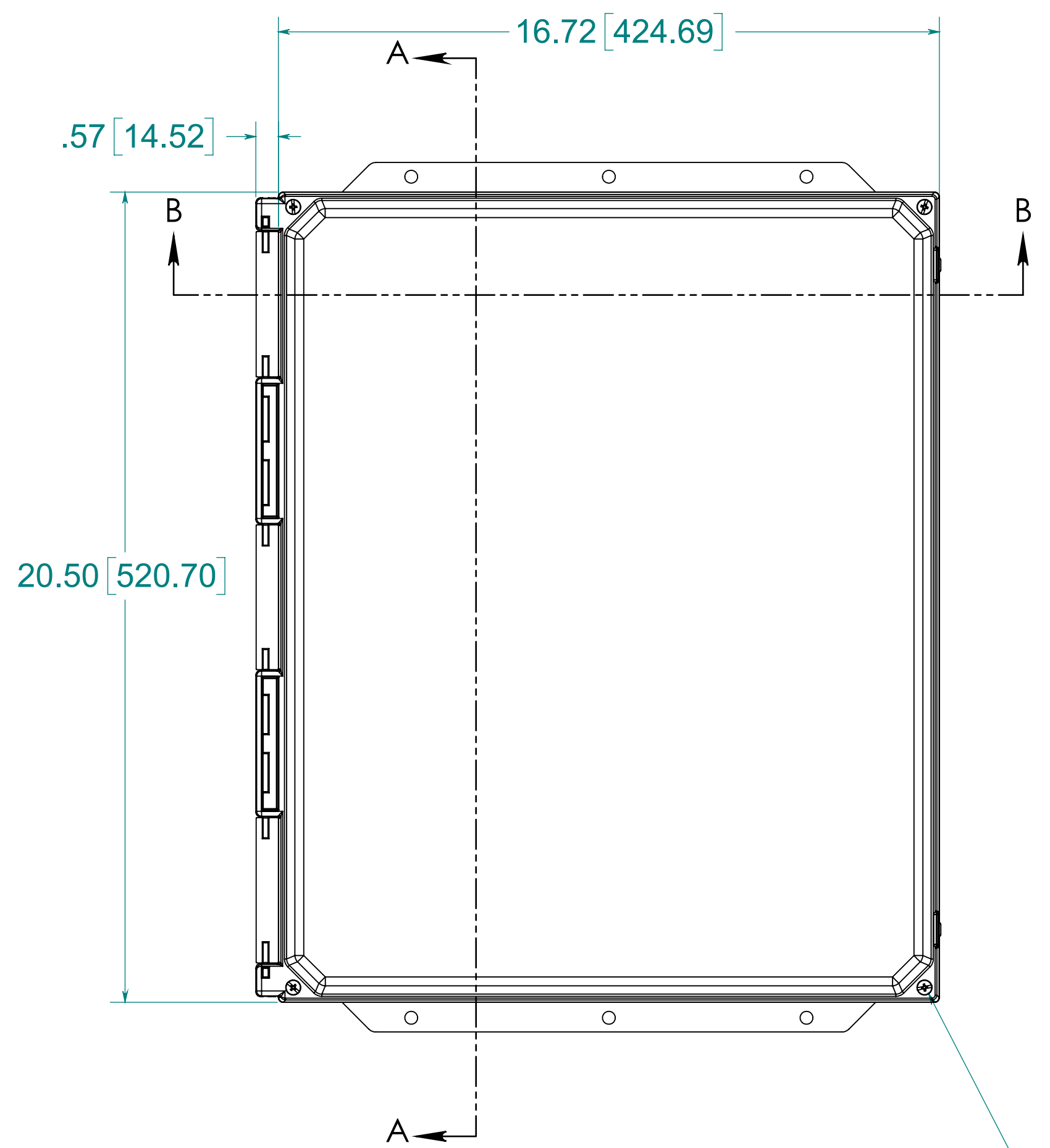
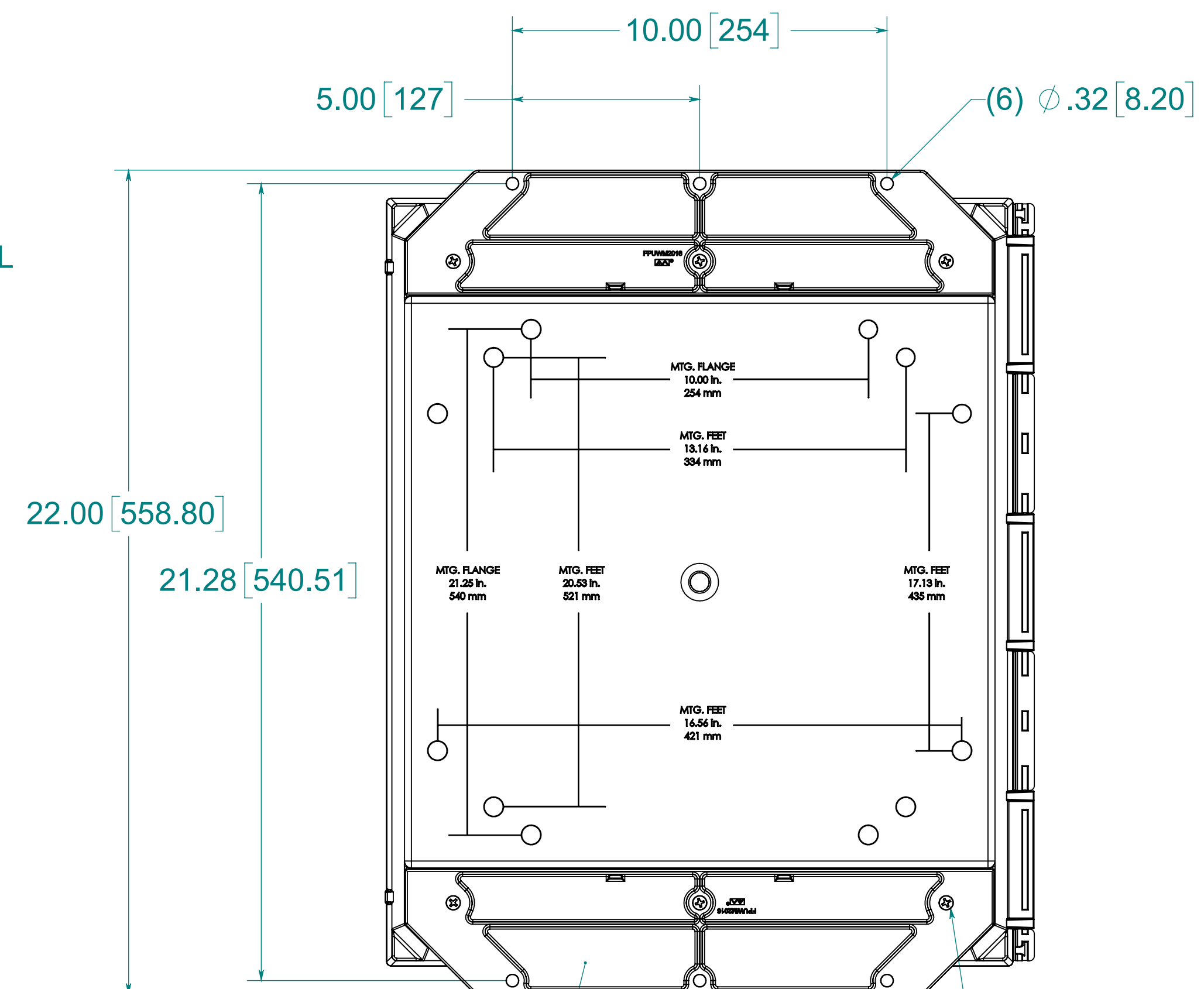


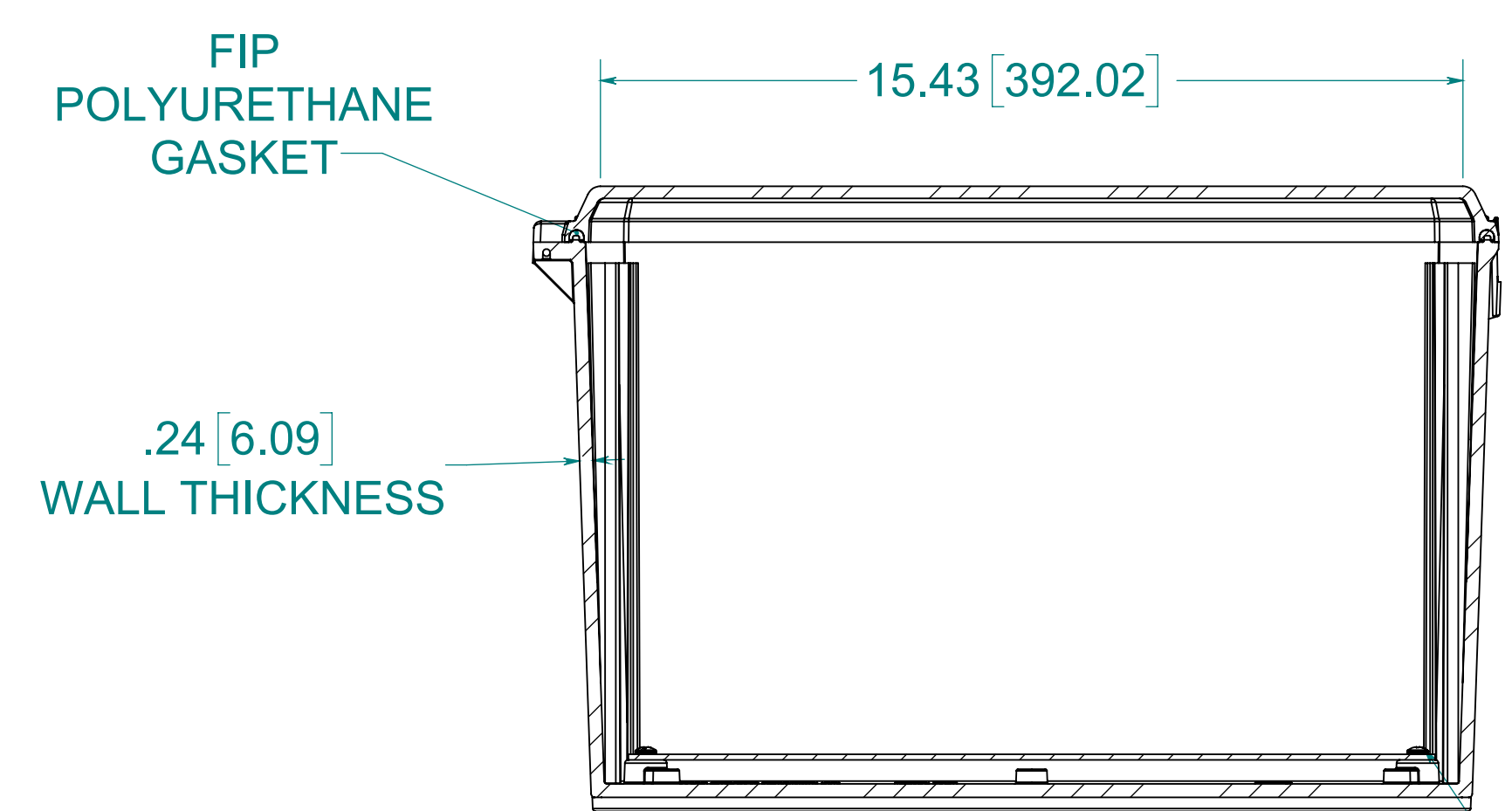
Date	Rev	Description	ECN No.	ISSUE DATE	DB	CK	REL
08/02/2019		INITIAL RELEASE	ECN-314		DJL	SRH	GEL
-	-	-	-	-	-	-	-
-	-	-	-	-	-	-	-



SECTION A-A

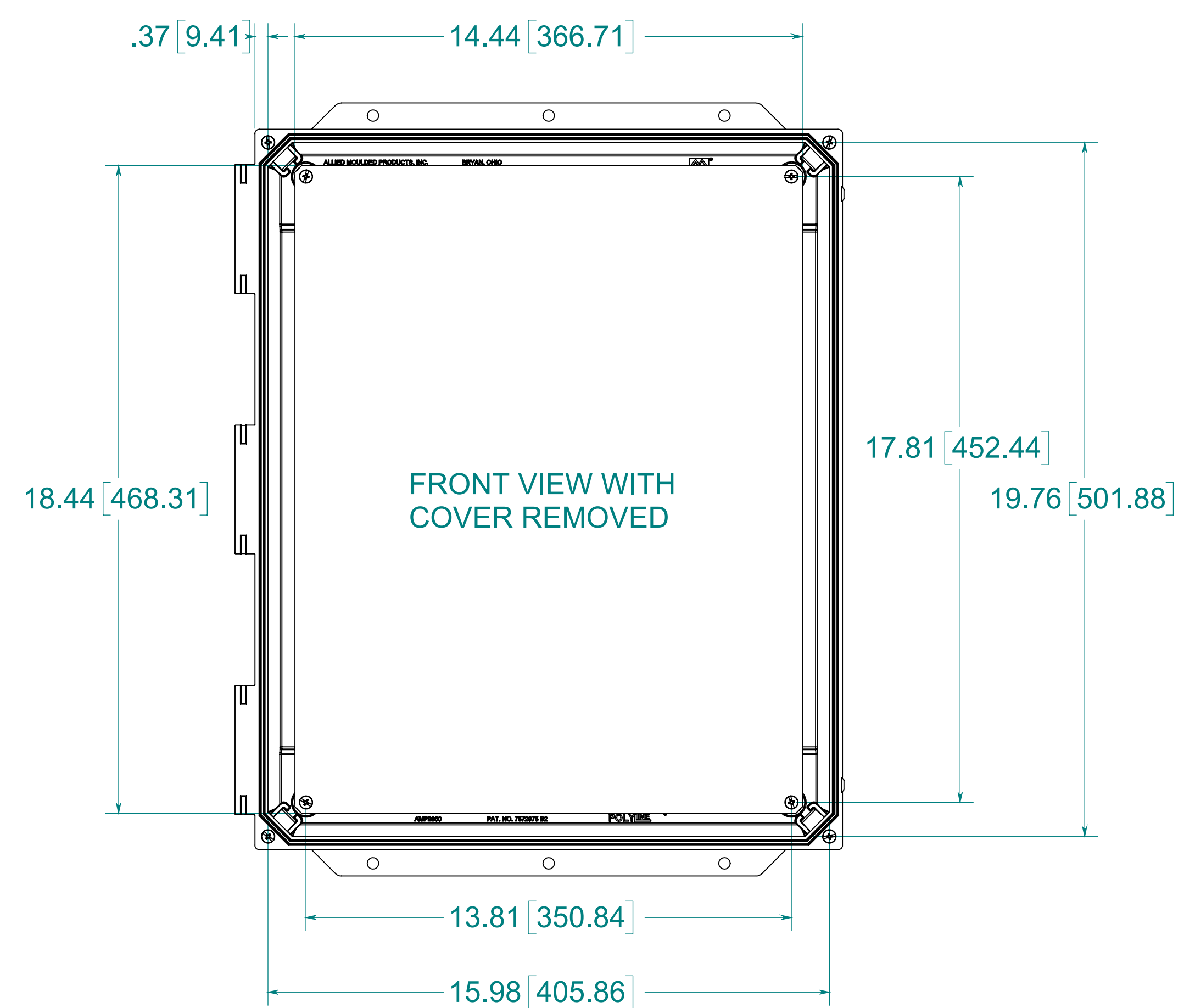


(4X) EACH #10-32 BRASS INSERTS AND 316 STAINLESS STEEL CAPTIVE COVER SCERWS



SECTION B-B

(4X) EACH #10-32 BRASS INSERTS AND PLATED CARBON STEEL SCREWS

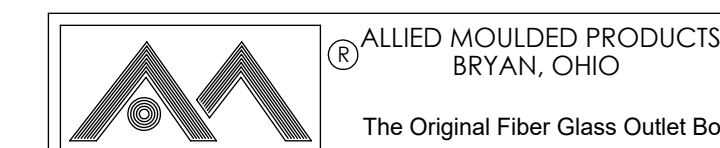


FRONT VIEW WITH COVER REMOVED

(2X) POLYCARBONATE FLANGE
(6X) EACH #10-32 BRASS INSERTS AND 316 STAINLESS STEEL FLANGE SCREWS

NOTE:
1. DATA SUBJECT TO CHANGE WITHOUT NOTICE

MATERIAL:
BOX- INJECTED POLYCARBONATE
STANDARD COVER- INJECTED POLYCARBONATE
CLEAR COVER- INJECTED POLYCARBONATE



CONFIDENTIAL
THIS MATERIAL IS OWNED BY THE ALLIED MOULDED PRODUCTS COMPANY, IS DISCLOSED IN CONFIDENCE, AND IS NOT TO BE REPRODUCED OR DISTRIBUTED WITHOUT PRIOR WRITTEN PERMISSION FROM ALLIED MOULDED PRODUCTS.
© 2018 Allied Moulded Products, Inc. All Rights Reserved

Description
AMP Polyline
Part No.
AMP2060F