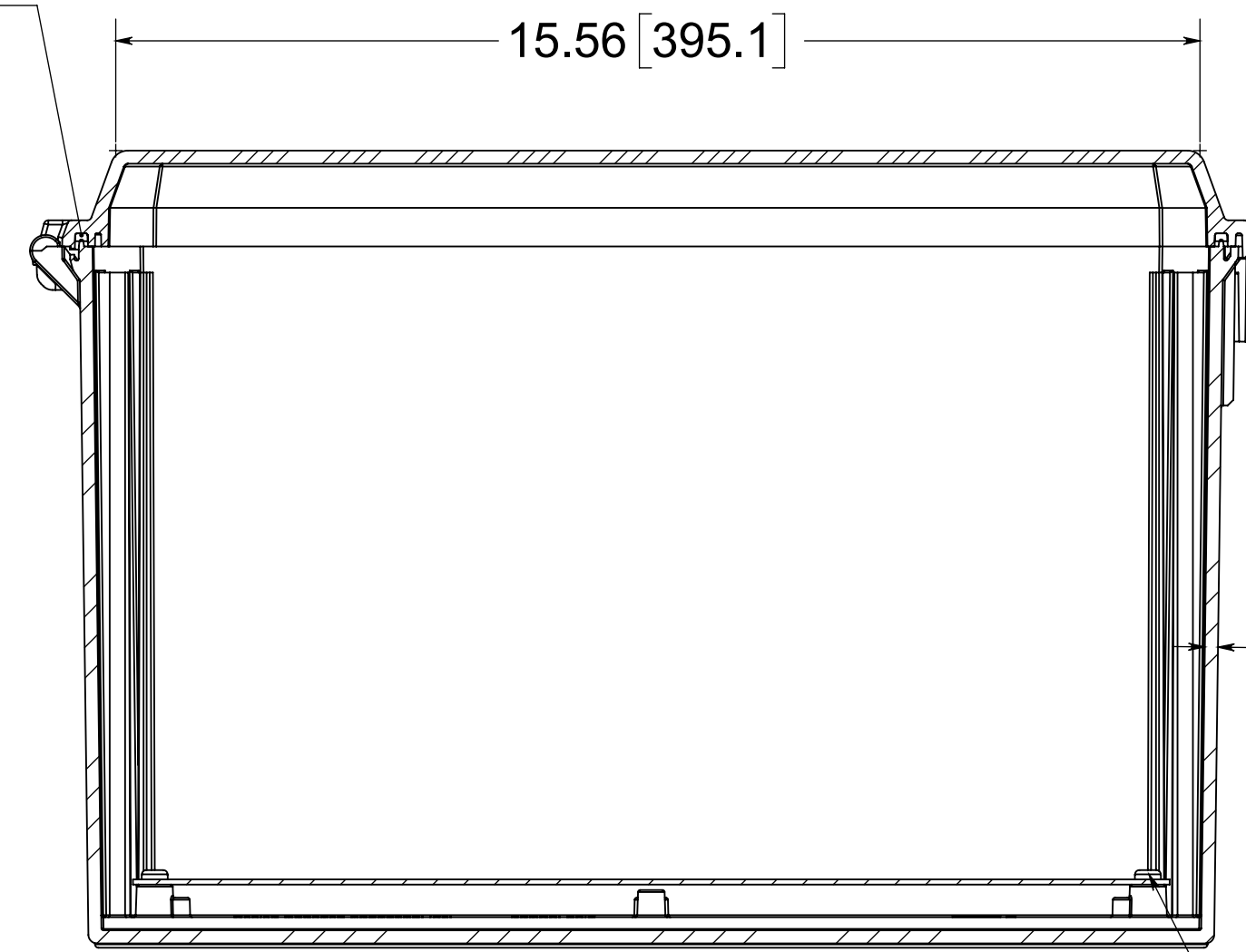


(4X) SNAP-IN POLYCARBONATE HINGE KNUCKLE

(2X) #10-32 BRASS INSERTS AND 316 STAINLESS STEEL CAPTIVE COVER SCREW

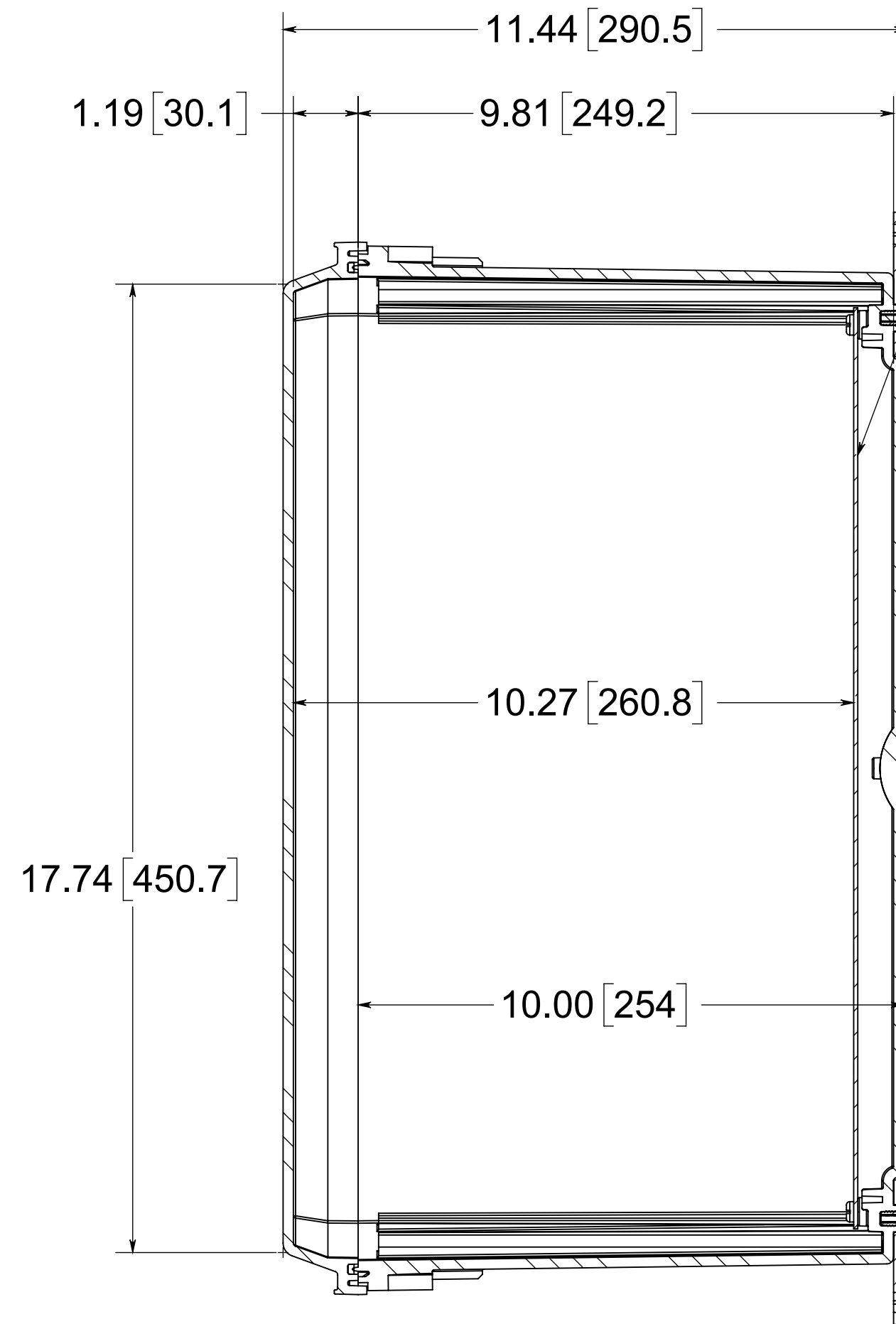
FIP POLYURETHANE GASKET



SECTION B-B

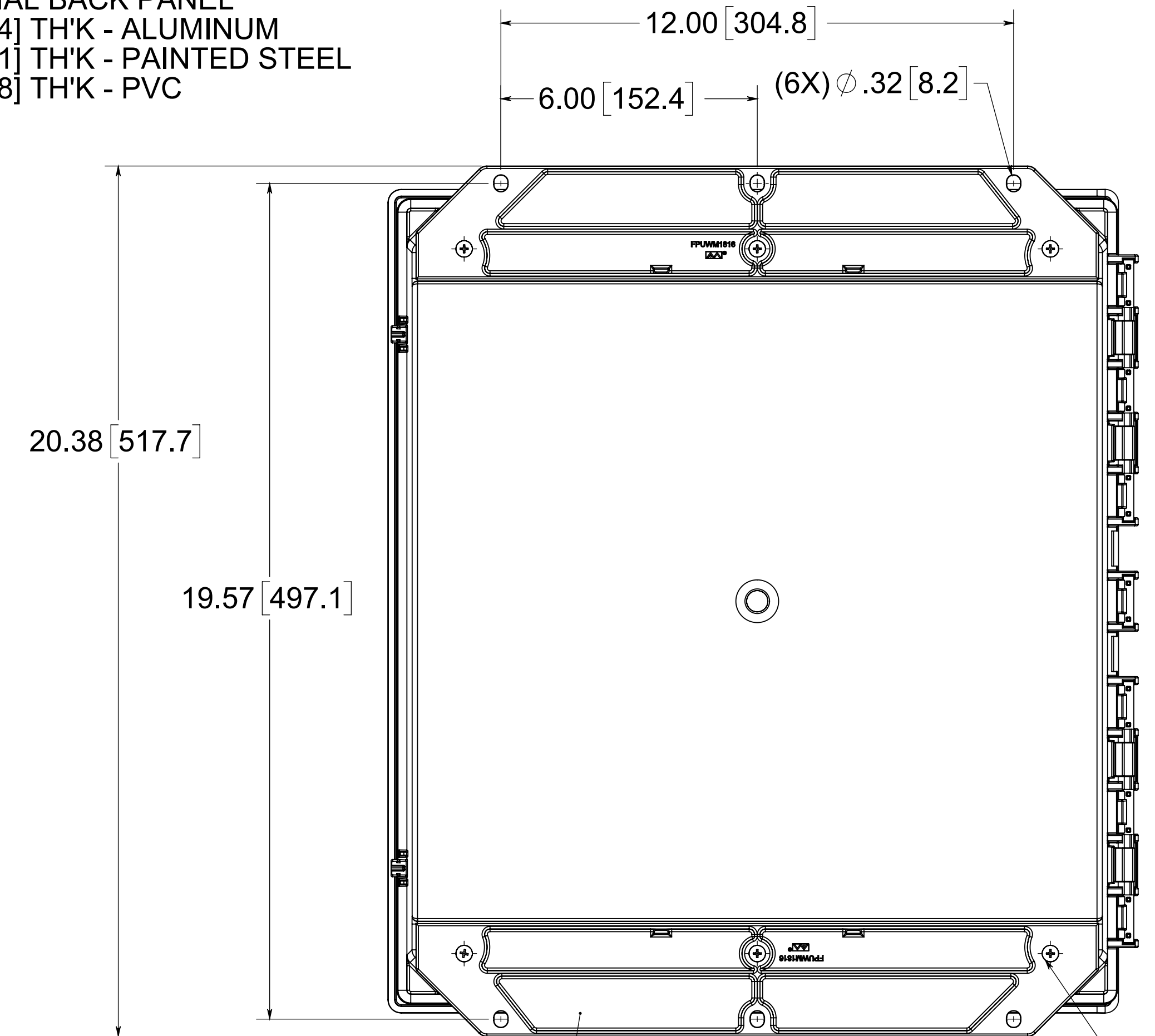
MATERIAL:
 BOX - INJECTED POLYCARBONATE
 STANDARD COVER - INJECTED POLYCARBONATE
 CLEAR COVER - INJECTED POLYCARBONATE

(4X) #10-32 BRASS INSERTS AND PLATED CARBON STEEL TRUSS SCREWS



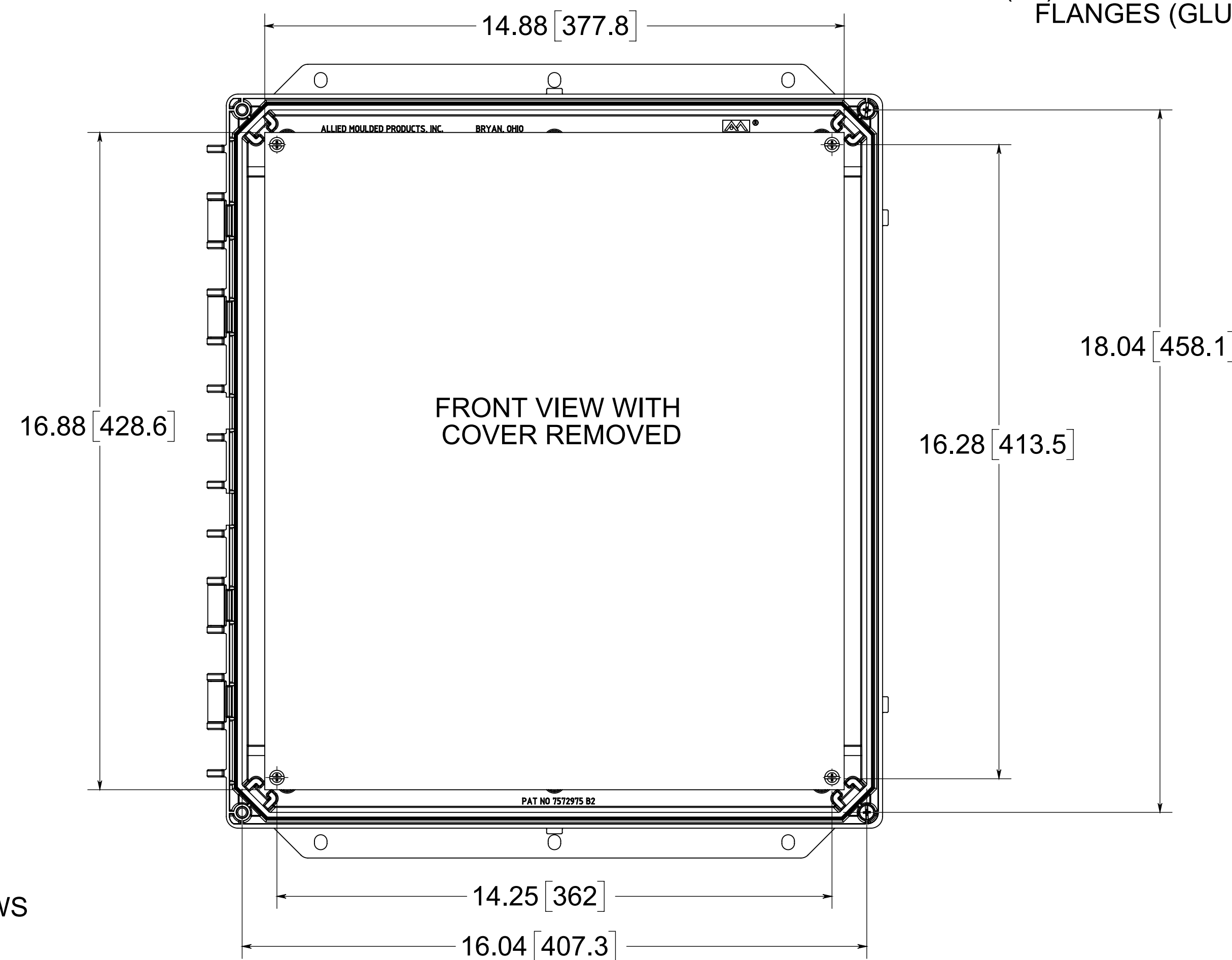
SECTION A-A

OPTIONAL BACK PANEL
 .100[2.54] TH'K - ALUMINUM
 .075[1.91] TH'K - PAINTED STEEL
 .188[4.78] TH'K - PVC



(2X) POLYCARBONATE FLANGES (GLUED)

(6X) #10-32 BRASS INSERTS, 316 STAINLESS STEEL FLANGE AND FEET SCREWS



FRONT VIEW WITH COVER REMOVED

NOTE:
 1. DATA SUBJECT TO CHANGE

CONFIDENTIAL
 THIS MATERIAL IS OWNED BY THE ALLIED MOULDED PRODUCTS COMPANY, IS DISCLOSED IN CONFIDENCE, AND IS NOT TO BE REPRODUCED OR DISTRIBUTED WITHOUT PRIOR WRITTEN PERMISSION FROM ALLIED MOULDED PRODUCTS.

ALLIED MOULDED PRODUCTS
 BRYAN, OHIO
 The Original Fiber Glass Outlet Box

Description
AMP Polyline
 Part No.
AMP1860HF