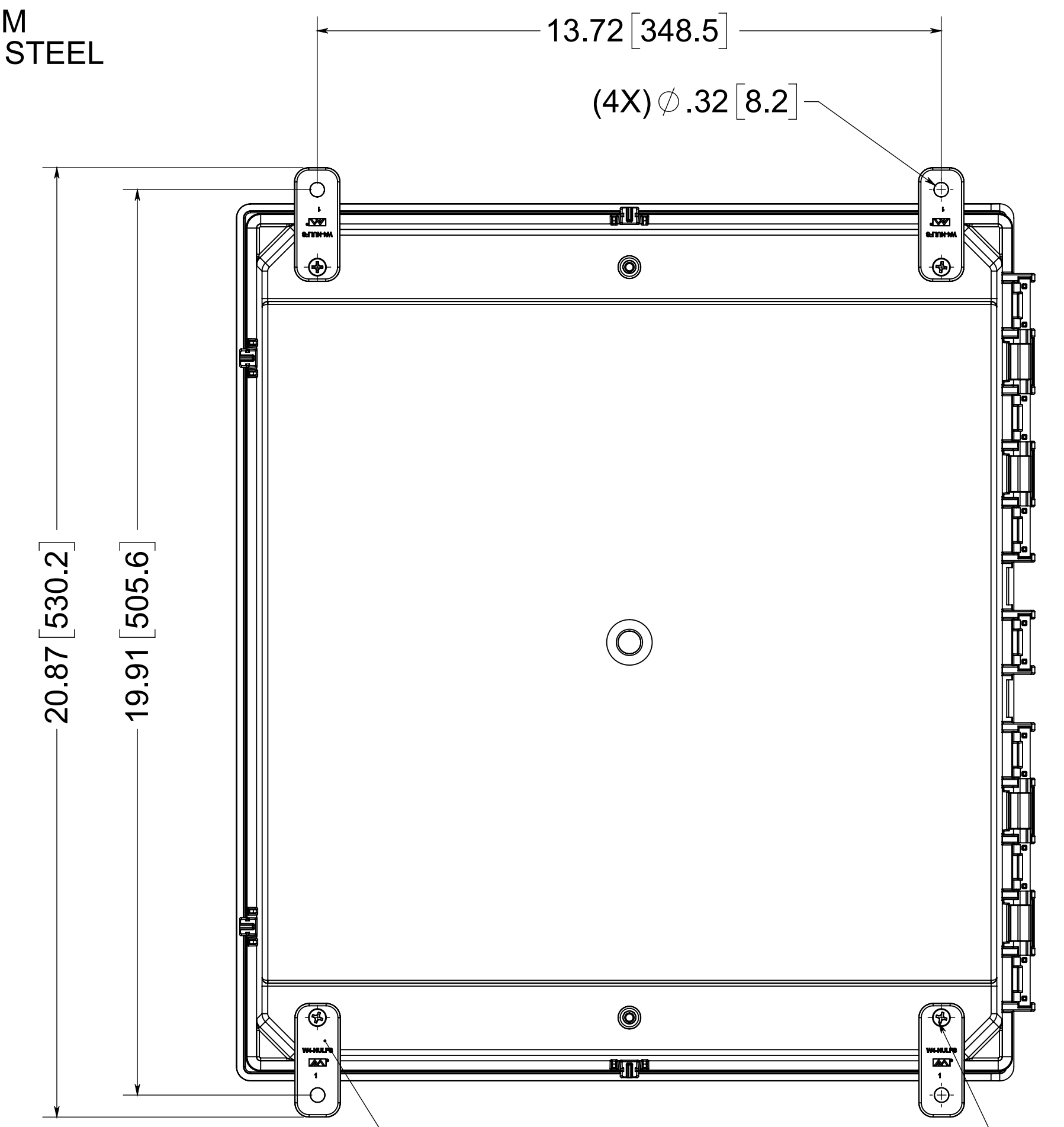


OPTIONAL BACK PANEL
 .100[2.54] TH'K - ALUMINUM
 .075[1.91] TH'K - PAINTED STEEL
 .188[4.78] TH'K - PVC



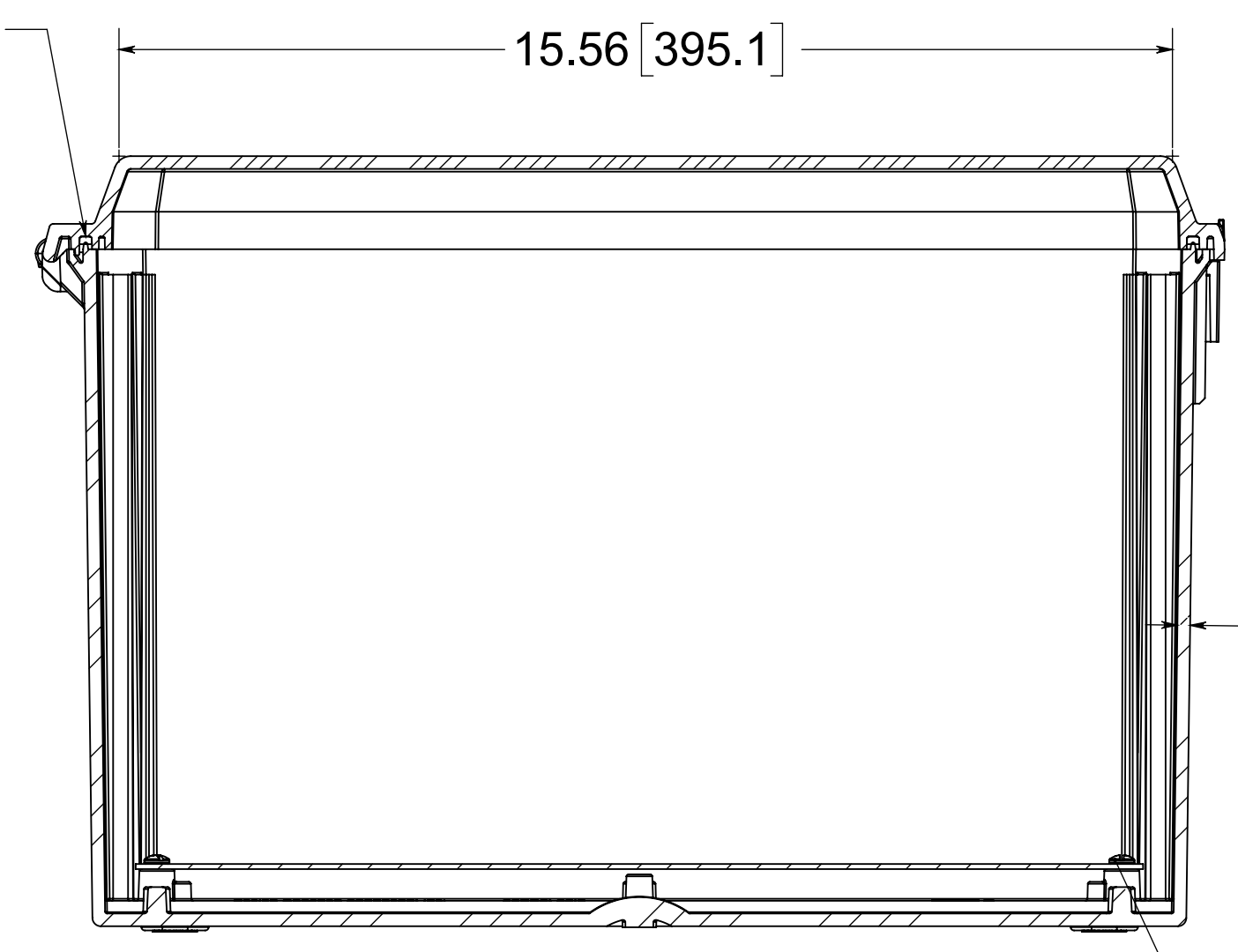
(4X) SNAP-IN
 POLYCARBONATE
 HINGE KNUCKLE

(2X) #10-32 BRASS INSERTS
 AND 316 STAINLESS STEEL
 CAPTIVE COVER SCREW

(4X) POLYCARBONATE
 FEET

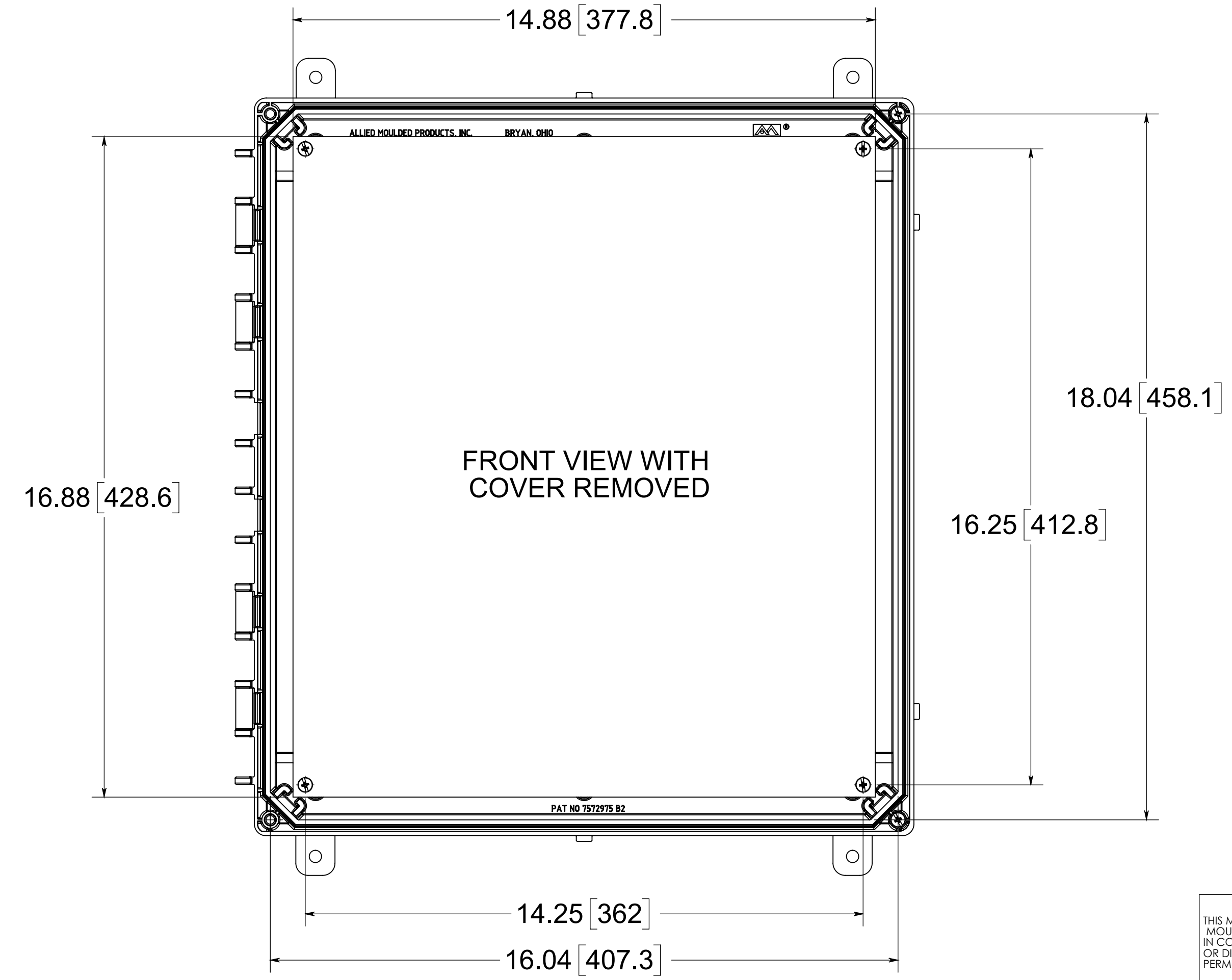
(4X) #10-32 BRASS INSERTS,
 316 STAINLESS STEEL FLANGE
 AND FEET SCREWS

FIP
 POLYURETHANE
 GASKET



SECTION B-B

(4X) EACH #10-32 BRASS
 INSERTS AND PLATED
 CARBON STEEL SCREWS



MATERIAL:
 BOX: INJECTION POLYCARBONATE
 STANDARD COVER: INJECTION POLYCARBONATE
 CLEAR COVER: INJECTION POLYCARBONATE

NOTE:
 1. DATA SUBJECT TO CHANGE

CONFIDENTIAL
 THIS MATERIAL IS OWNED BY THE ALLIED
 MOULDED PRODUCTS COMPANY, IS DISCLOSED
 IN CONFIDENCE, AND IS NOT TO BE REPRODUCED
 OR DISTRIBUTED WITHOUT PRIOR WRITTEN
 PERMISSION FROM ALLIED MOULDED PRODUCTS.

ALLIED MOULDED PRODUCTS
 BRYAN, OHIO
 The Original Fiber Glass Outlet Box

Description
AMP Polyline
 Part No.
AMP1860H