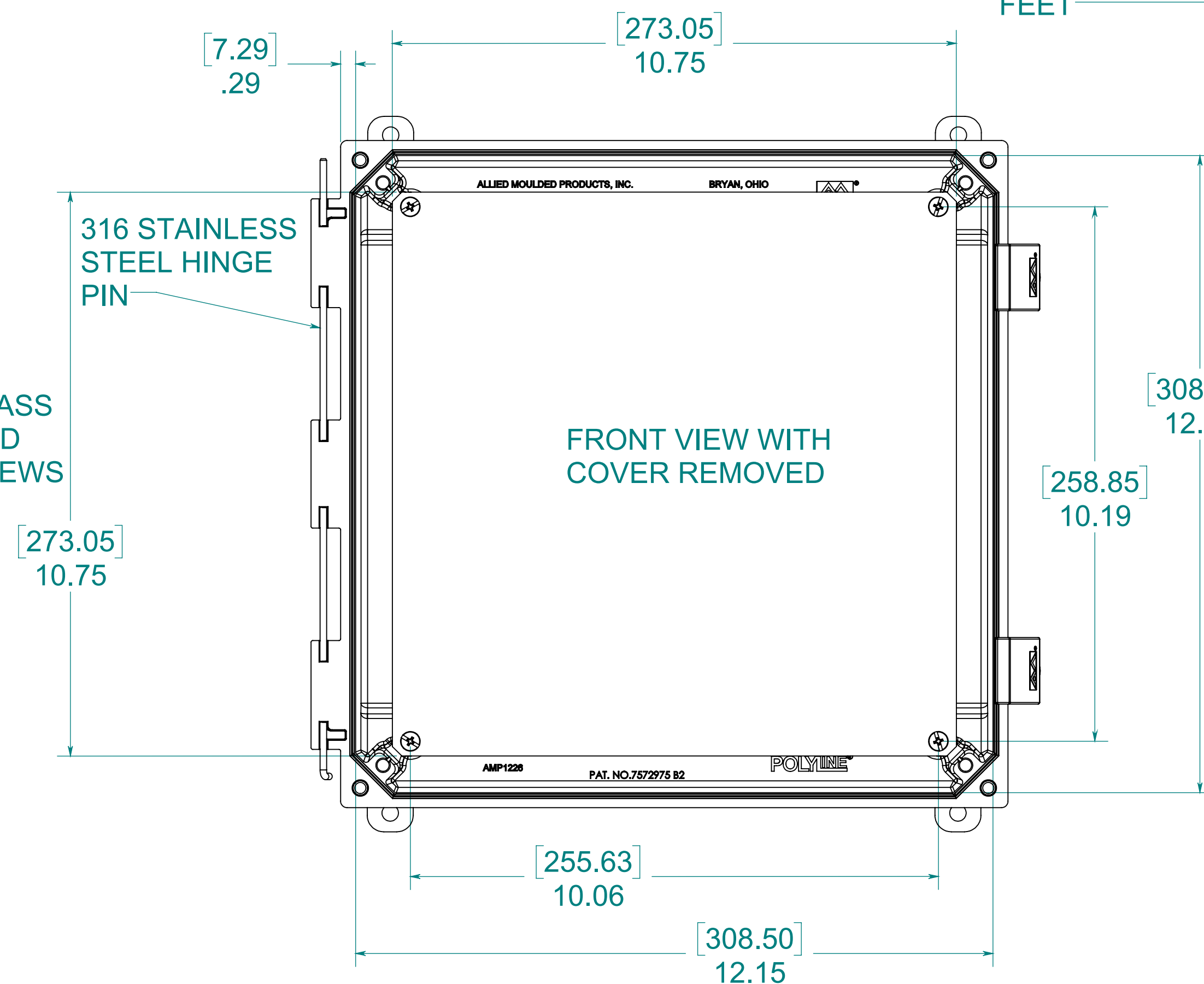
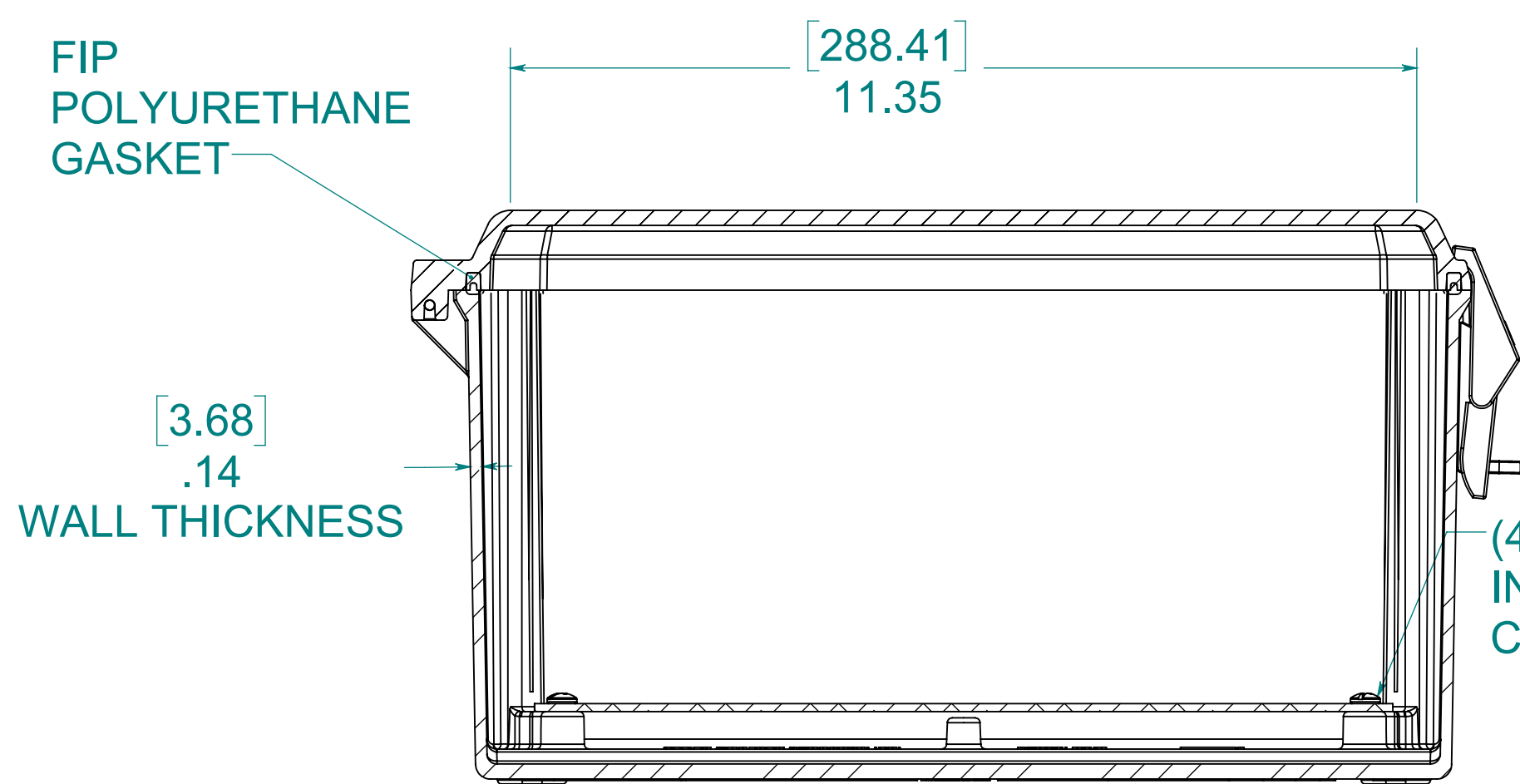
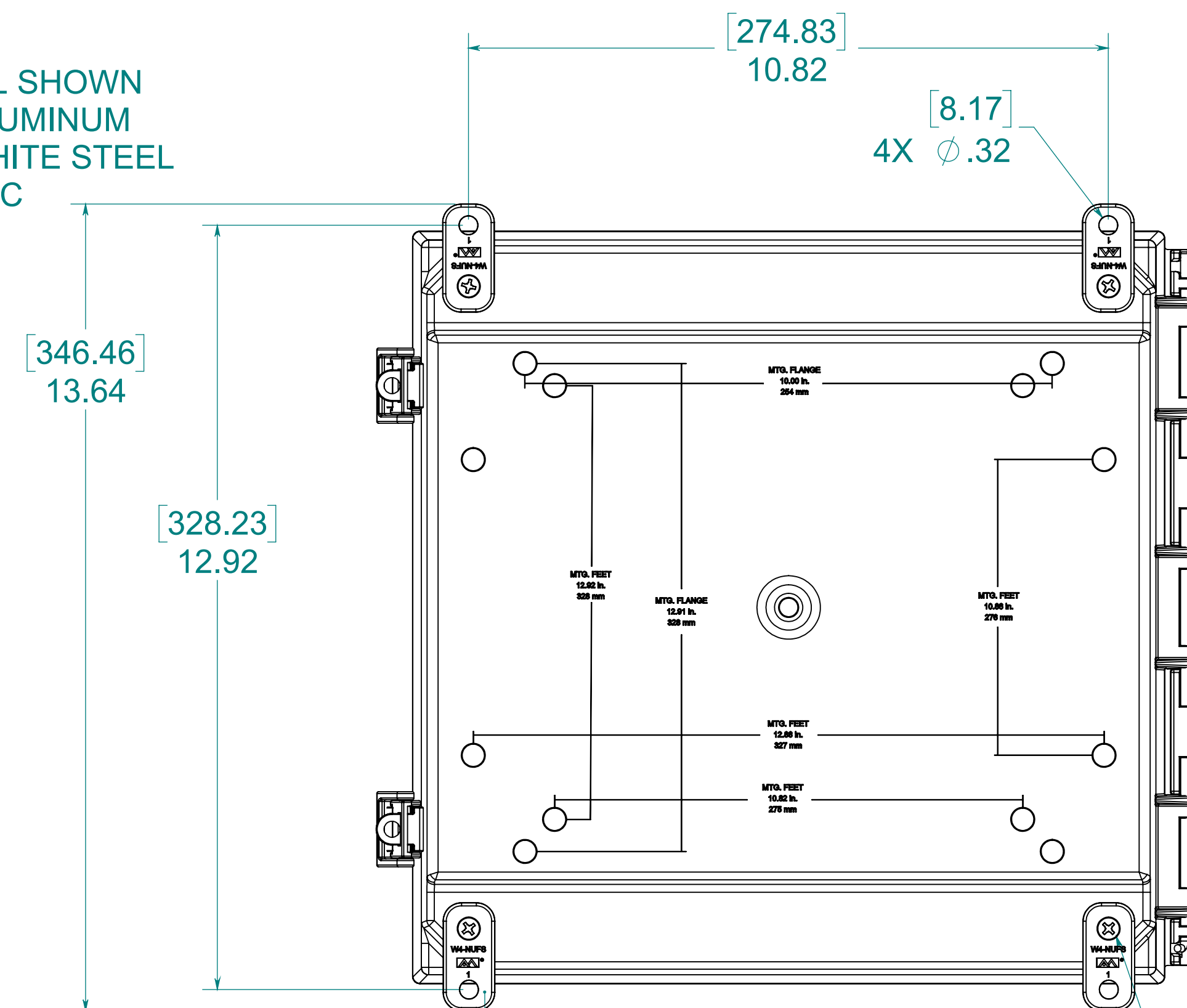
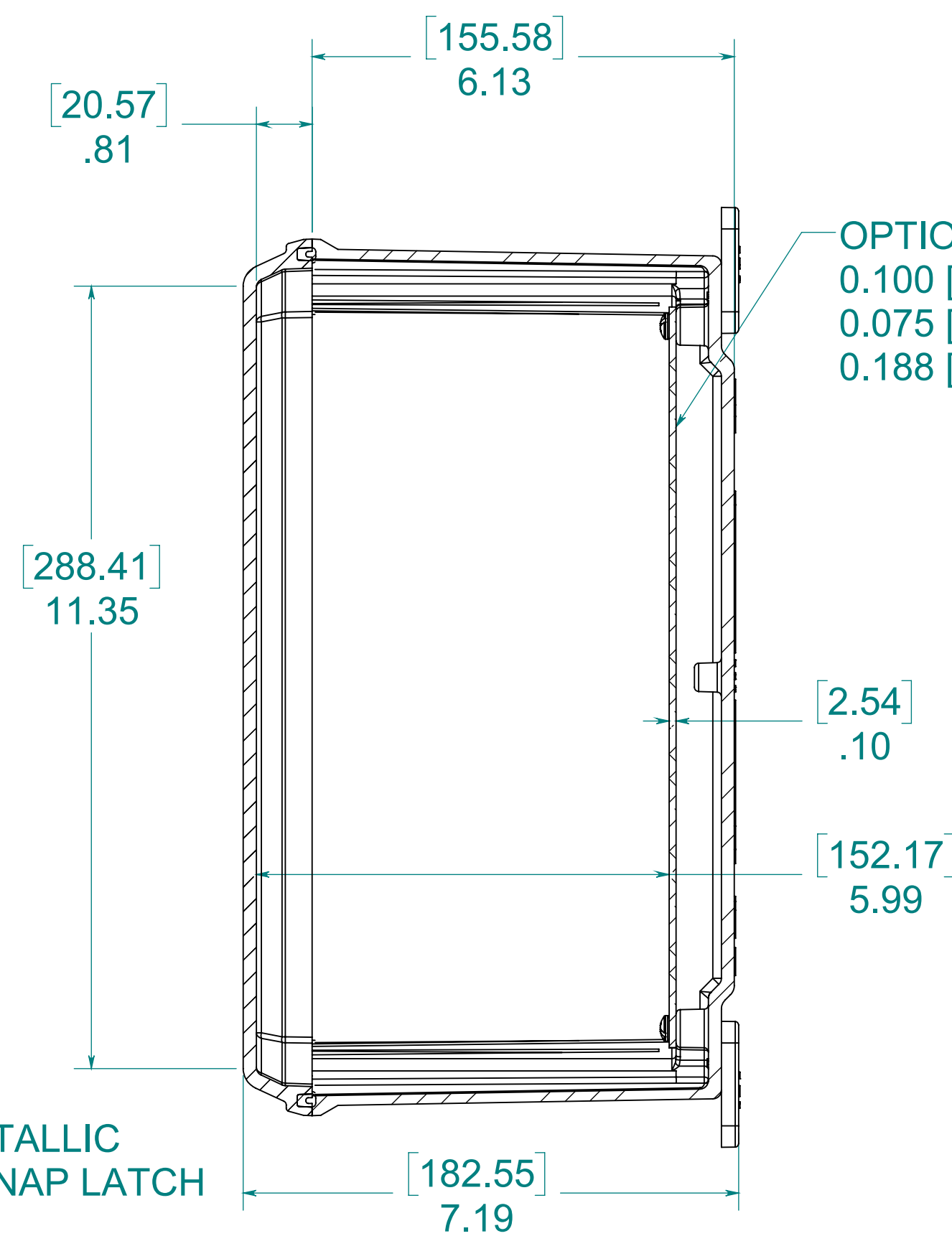
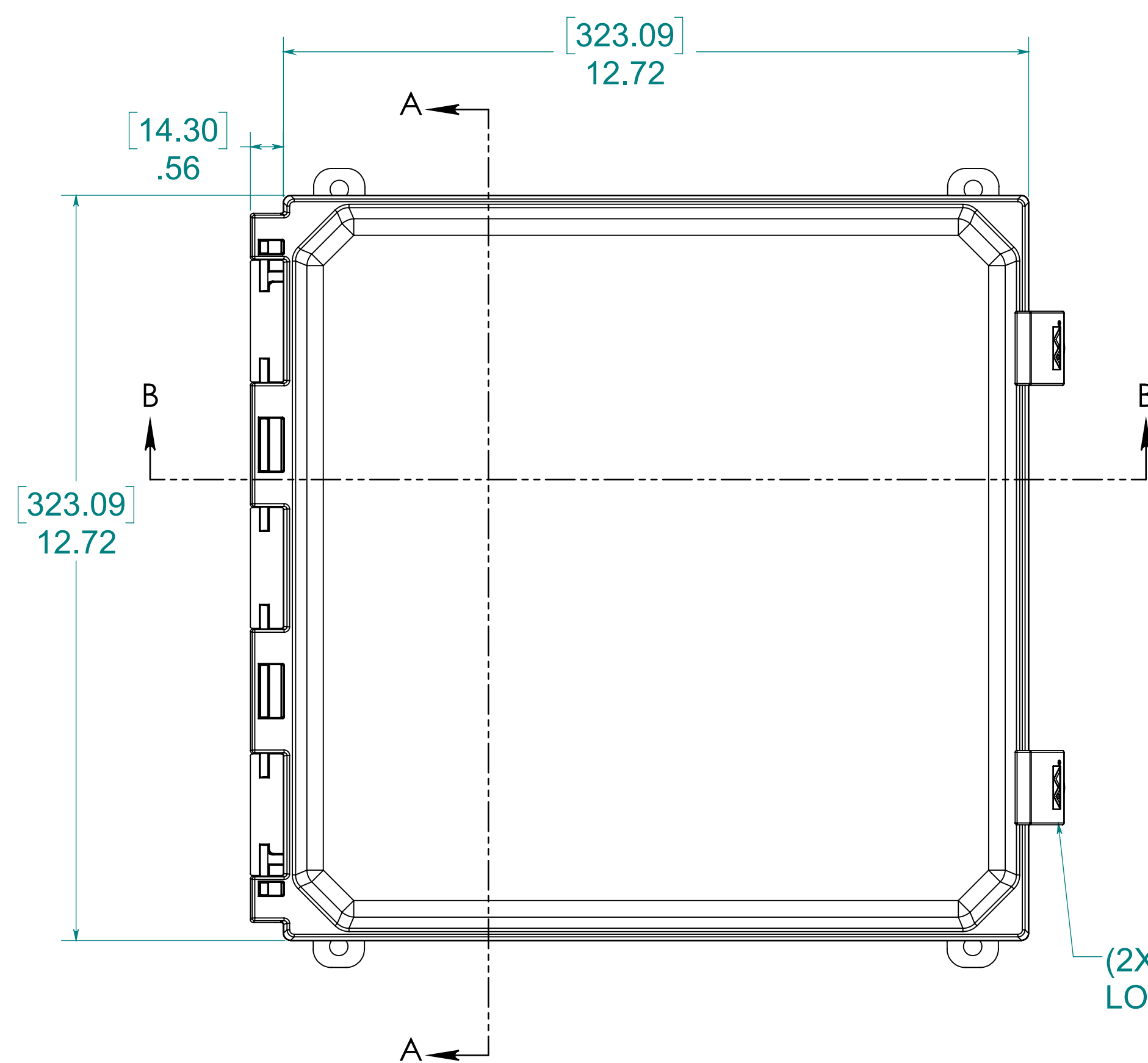


Date	Rev	Description	ECN No.	ISSUE DATE	CK	REL
07/25/2019		INITIAL RELEASE	ECN-302	DJL	LJS	GEL
-	-	-	-	-	-	-
-	-	-	-	-	-	-



(4X) POLYCARBONATE FEET  
(4X) EACH #10-32 BRASS INSERTS AND 316 STAINLESS STEEL FEET SCREWS

(2X) NON-METALLIC LOCKABLE SNAP LATCH

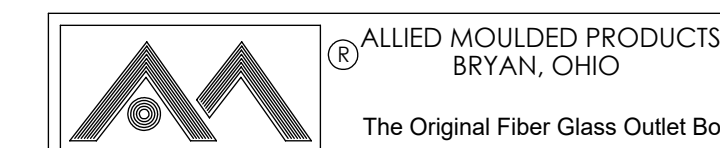
OPTIONAL BACK PANEL SHOWN  
0.100 [2.54mm] TH'K- ALUMINUM  
0.075 [1.91mm] TH'K- WHITE STEEL  
0.188 [4.78mm] TH'K- PVC

SECTION A-A

SECTION B-B

NOTE:  
1. DATA SUBJECT TO CHANGE WITHOUT NOTICE

MATERIAL:  
BOX- INJECTED POLYCARBONATE  
STANDARD COVER- INJECTED POLYCARBONATE  
CLEAR COVER- INJECTED POLYCARBONATE



CONFIDENTIAL  
THIS MATERIAL IS OWNED BY THE ALLIED MOULDED PRODUCTS COMPANY, IS DISCLOSED IN CONFIDENCE, AND IS NOT TO BE REPRODUCED OR DISTRIBUTED WITHOUT PRIOR WRITTEN PERMISSION FROM ALLIED MOULDED PRODUCTS.  
© 2018 Allied Moulded Products, Inc. All Rights Reserved

Description  
AMP Polyline  
Part No.  
AMP1226NL