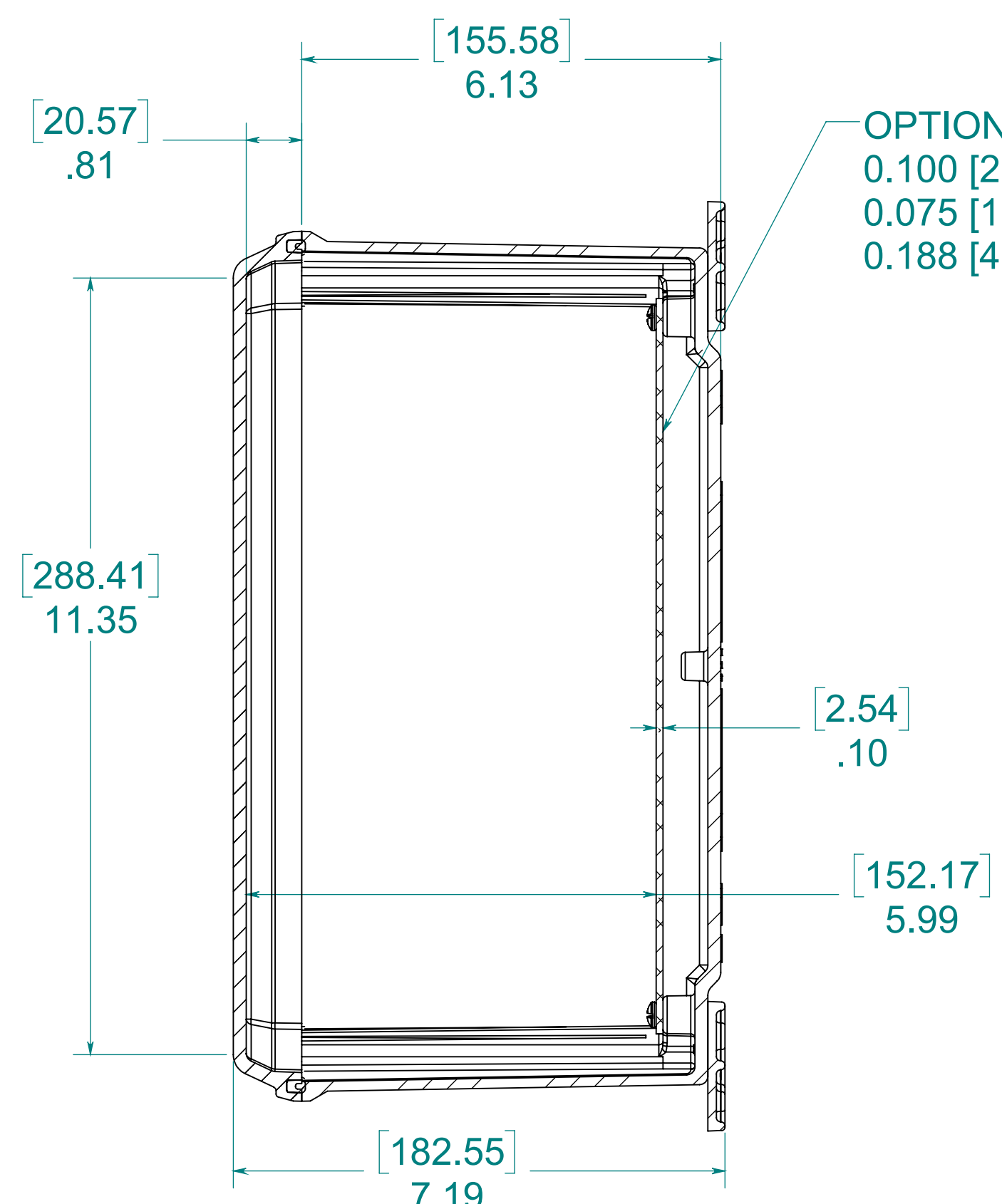
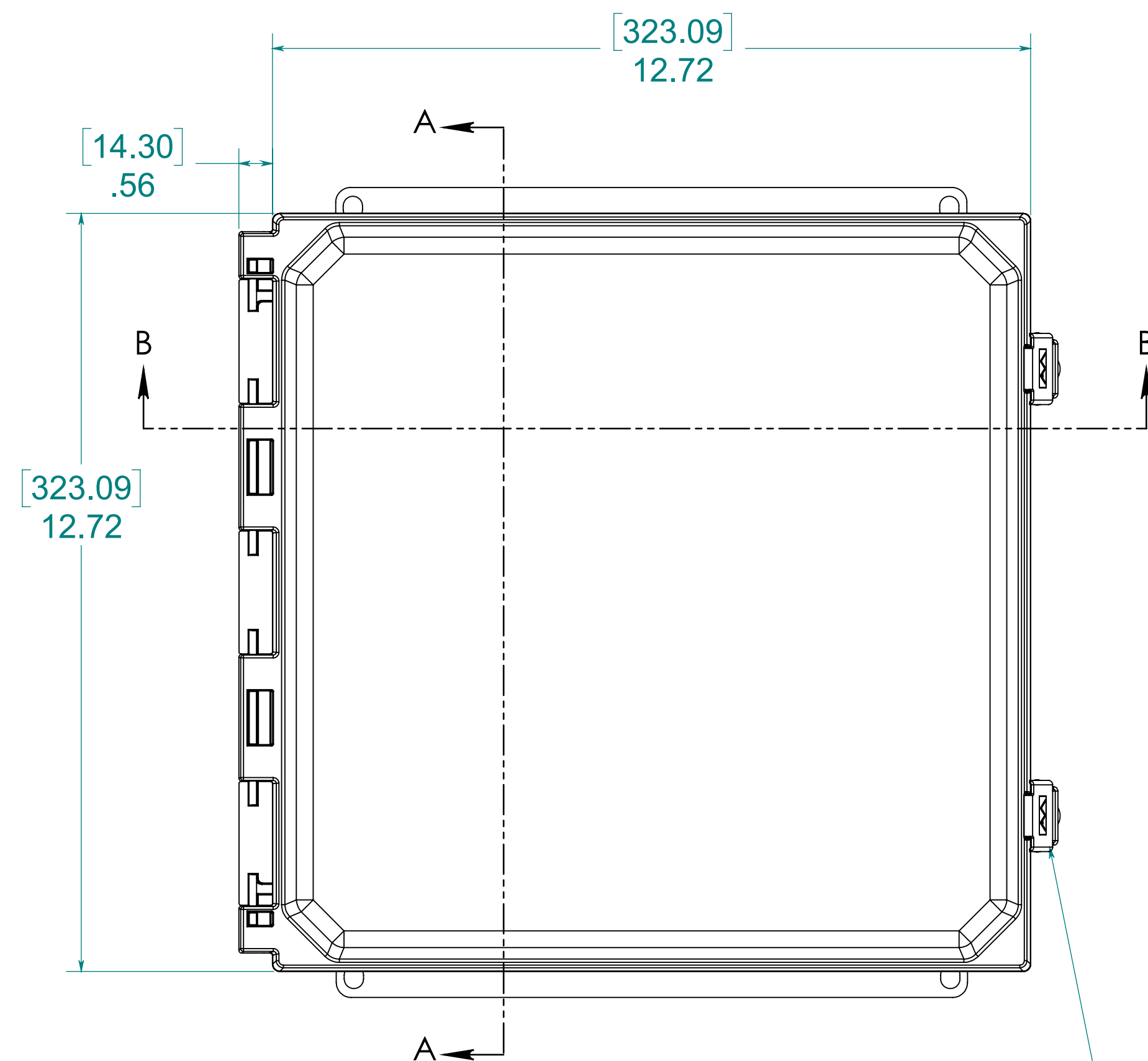
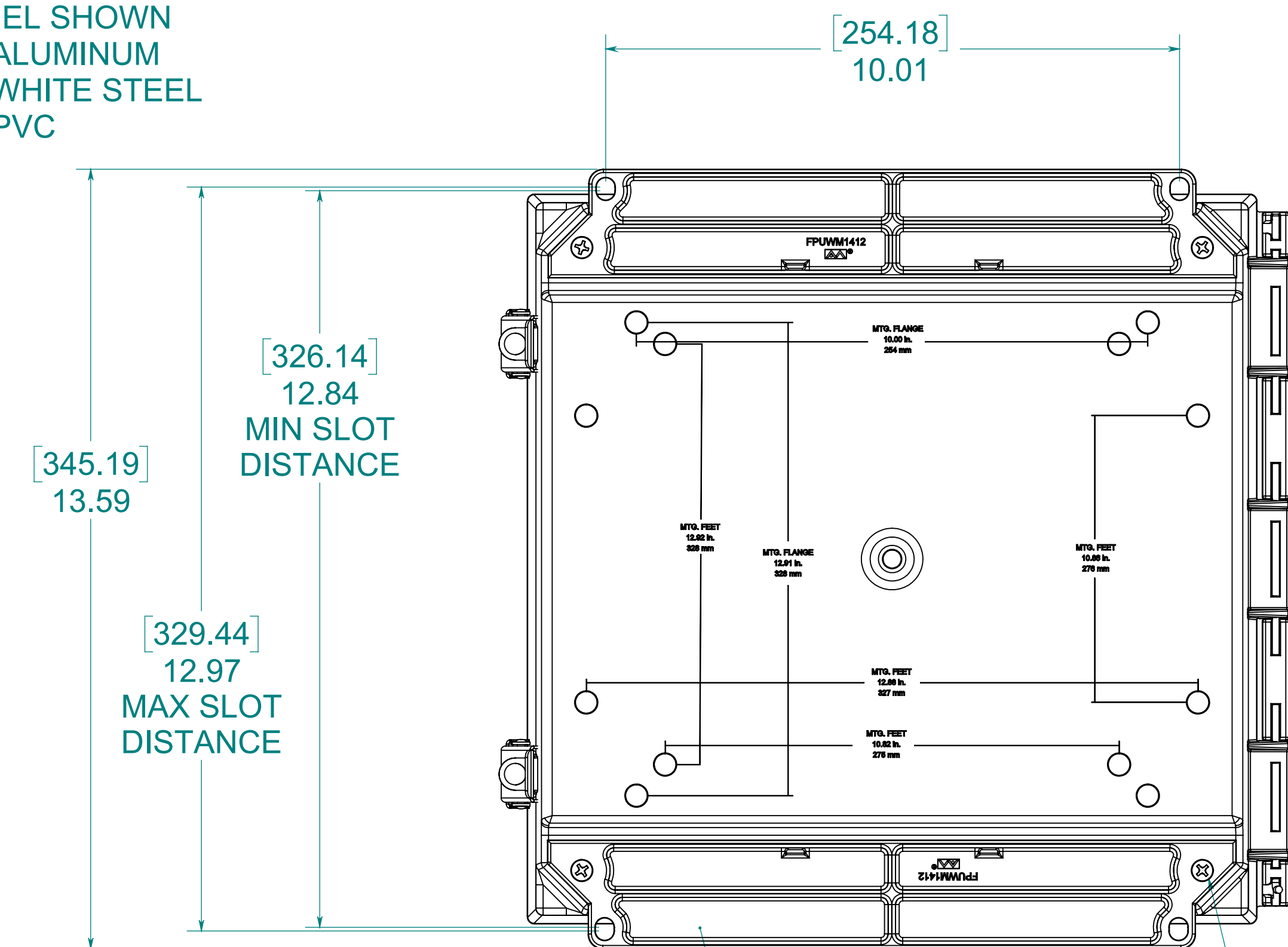


| Date | Rev | Description | ECN No. | ISSUE DATE | DR | CK | REL |
|------------|-----|-----------------|---------|------------|-----|-----|-----|
| 07/25/2019 | | INITIAL RELEASE | ECN-302 | | DJL | LJS | GEL |
| - | - | - | - | - | - | - | - |
| - | - | - | - | - | - | - | - |



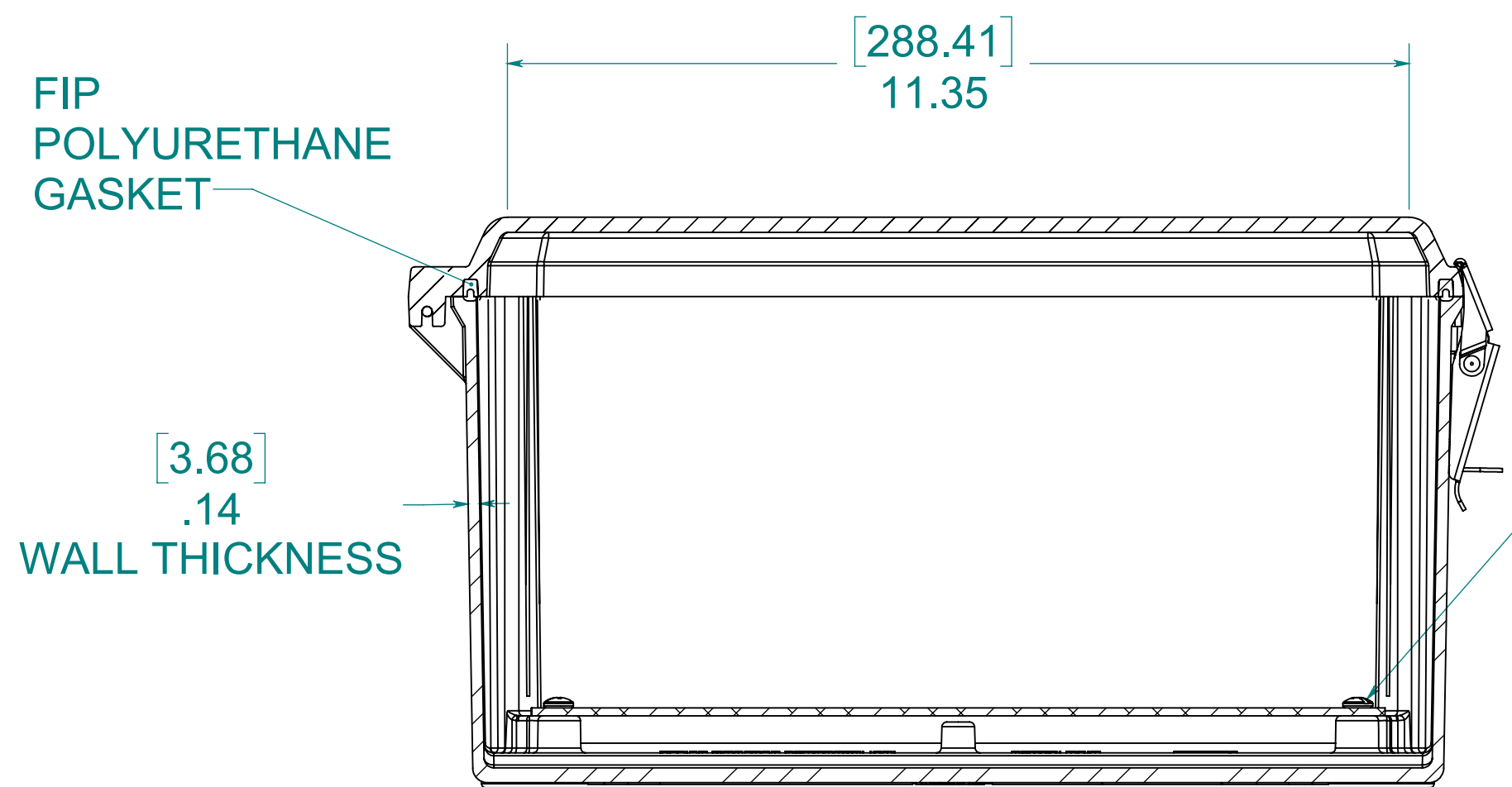
OPTIONAL BACK PANEL SHOWN
 0.100 [2.54mm] TH'K- ALUMINUM
 0.075 [1.91mm] TH'K- WHITE STEEL
 0.188 [4.78mm] TH'K- PVC



(2X) 316 STAINLESS STEEL
 LOCKABLE SNAP LATCH

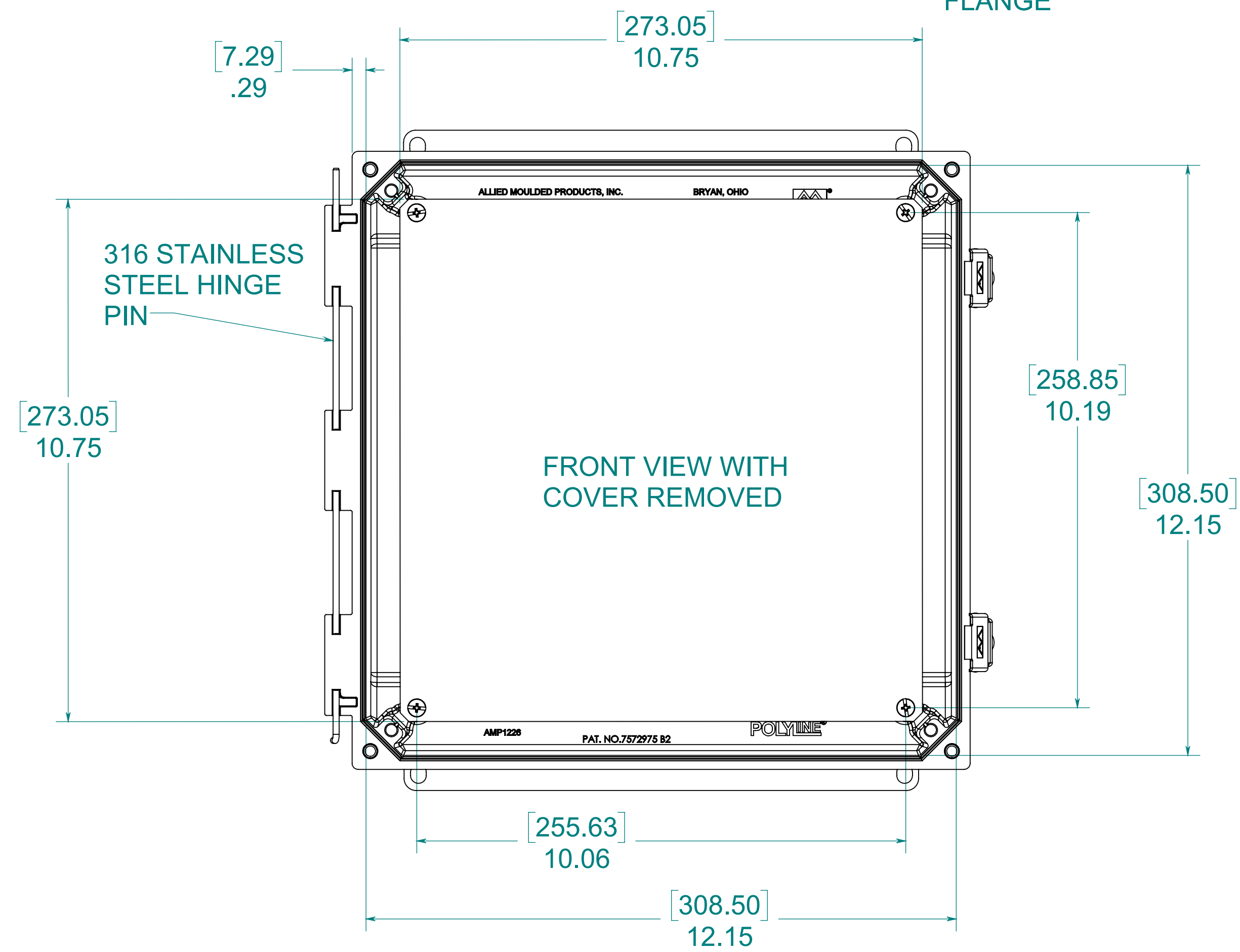
(2X) POLYCARBONATE
 FLANGE

(4X) EACH #10-32 BRASS
 INSERTS AND 316 STAINLESS
 STEEL FLANGE SCREWS



SECTION B-B

(4X) EACH #10-32 BRASS
 INSERTS AND PLATED
 CARBON STEEL SCREWS

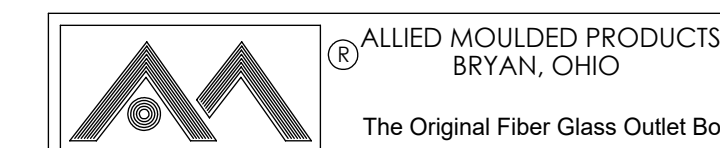


FRONT VIEW WITH
 COVER REMOVED

316 STAINLESS
 STEEL HINGE
 PIN

MATERIAL:
 BOX- INJECTED POLYCARBONATE
 STANDARD COVER- INJECTED POLYCARBONATE
 CLEAR COVER- INJECTED POLYCARBONATE

NOTE:
 1. DATA SUBJECT TO CHANGE
 WITHOUT NOTICE



CONFIDENTIAL
 THIS MATERIAL IS OWNED BY THE ALLIED
 MOULDED PRODUCTS COMPANY, IS DISCLOSED
 IN CONFIDENCE, AND IS NOT TO BE REPRODUCED
 OR DISTRIBUTED WITHOUT PRIOR WRITTEN
 PERMISSION FROM ALLIED MOULDED PRODUCTS.
 © 2018 Allied Moulded Products, Inc.
 All Rights Reserved

Description
AMP Polyline
 Part No.
AMP1226LF