

# AMP Series

## JIC SIZE JUNCTION BOXES

### Cover Type

Solid/Opaque

### Closure Type

Nonmetal Snap Latch  
Hinged Cover



### Application

Designed to insulate and protect controls and components in both indoor and outdoor applications often found in industrial control panels, pump controls/waste water treatment, irrigation/water control, solar/wind, and chemical plants

- Light weight, impact resistant and good corrosion resistance for many industrial enclosure applications and a great alternative to metallic enclosures
- Protects from dirt, dust, and water

### Standards

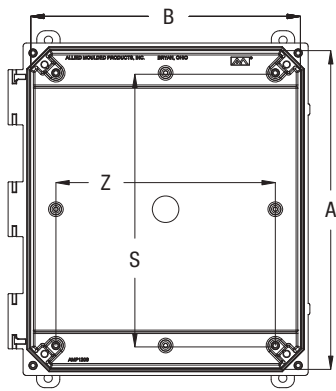
- UL 50 and UL 50E Types 1, 2, 3, 3R, 4, 4X, 12 and 13
- CSA C22.2 No. 94 Types 1, 2, 3, 3R, 4, 4X, 12 and 13
- Complies with:
  - NEMA Types 1, 2, 3, 3R, 4, 4X, 12 and 13
  - IEC 60529 Type IP66
  - RoHS directive

### Construction

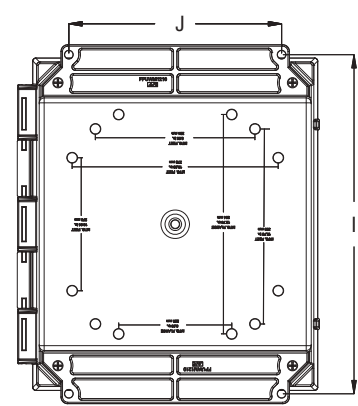
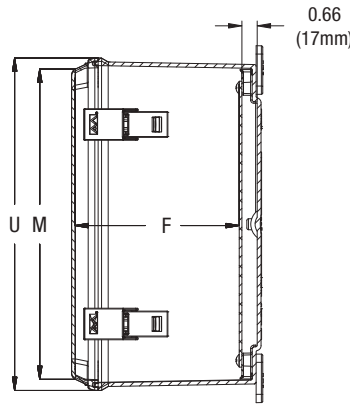
- Injection molded polycarbonate thermoplastic construction with flush, solid/opaque cover
- Opaque cover, base, snap latches, feet, flanges — Light gray color (RAL 7035)  
*Note: foot models mounting hardware supplied in a bag. Flanged models are pre-assembled*
- Polycarbonate snap latches feature padlock hasp (.281" dia.)—(AMP1082 not available)
- Formed-In-Place (FIP) polyurethane gasket system encased in continuous channel
- 316 stainless steel foot/flange mounting hardware
- 316 stainless steel hinge pin (6"-14" sizes)
- Polycarbonate hinge clips (16" & 18" sizes)
- #10-32 threaded brass inserts are installed for back panel mounting

### Accessories & Modifications

- Optional back panels and hinged front panels
- Custom holes and cutouts
- Optional foot/flange mounting hardware
- DIN rail mounting available with molded-in bosses using #10 sheet metal screws
- Factory-supplied silk screening

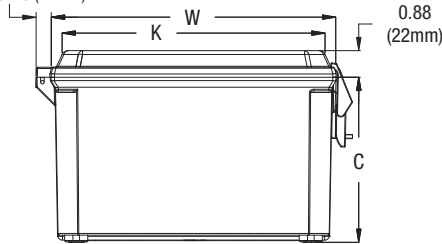


NOTE: COVER REMOVED FOR CLARITY



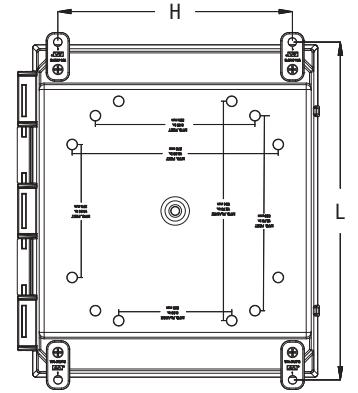
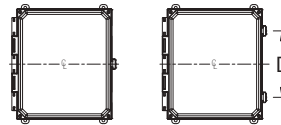
FLANGE MOUNT

6 x 6 x 4 - 14 x 12 x 6 0.56 (14mm)  
 16 x 14 x 8 .36 (9mm)  
 18 x 16 x 10 .46 (12mm)



LATCH LOCATIONS

FOR USE ON	FOR USE ON
6 x 6 x 4	12 x 10 x 4,6 D=7.50 (191mm)
8 x 6 x 4	14 x 12 x 6 D=8.00 (203mm)
8 x 8 x 4	16 x 14 x 8 D=10.5 (267mm)
10 x 8 x 4,6	18 x 16 x 10 D=12.5 (318mm)



FOOT MOUNT

\*Nom. Wall Thickness: .14 (4mm)  
 14" thru 18" sizes: .19 (5mm)

Part No.	Box Size			Usable Depth	Panel Boss Centers			Back Panel Size			Flange Mount Centers		Foot Mount Centers		Cover Size			
	A	B	C		F	S	Z	Ht.	Wid.	P/N	J	I	H	L	K	M	W	U
AMP664NL AMP664NLF	6.03 153mm	6.26 159mm	4.08 104mm	4.06 103mm	4.25 108mm	4.25 108mm	4.81 122mm	4.81 122mm	PL66 PLA66	4.00 102mm	6.88, 6.75 175, 171mm	4.91 125mm	6.75 171mm	5.67 144mm	5.45 139mm	6.72 171mm	6.50 165mm	
AMP864NL AMP864NLF	7.94 202mm	6.16 156mm	4.08 104mm	4.06 103mm	6.25 159mm	4.25 108mm	6.75 171mm	4.88 124mm	PL86 PLA86	4.00 102mm	8.88, 8.75 226, 222mm	4.91 125mm	8.75 222mm	5.67 144mm	7.45 189mm	6.72 171mm	8.50 216mm	
AMP884NL AMP884NLF	7.94 202mm	8.16 207mm	4.08 104mm	4.06 103mm	6.25 159mm	6.25 159mm	6.75 171mm	6.88 175mm	PL88 PLA88	6.00 152mm	8.75 222mm	6.91 175mm	8.75 222mm	7.67 195mm	7.45 189mm	8.72 221mm	8.50 216mm	
AMP1084NL AMP1084NLF	9.93 252mm	8.15 207mm	4.08 104mm	4.06 103mm	8.25 210mm	6.25 159mm	8.75 222mm	6.88 175mm	PL108 PLA108	6.00 152mm	10.75 273mm	6.91 175mm	10.75 273mm	7.75 197mm	9.67 246mm	8.72 221mm	10.50 267mm	
AMP1086NL AMP1086NLF	9.90 255mm	8.12 206mm	5.94 151mm	6.06 154mm	8.25 210mm	6.25 159mm	8.75 222mm	6.88 175mm	PL108 PLA108	6.00 152mm	10.75 273mm	6.91 175mm	10.75 273mm	7.75 197mm	9.67 246mm	8.72 221mm	10.50 267mm	
AMP1204NL AMP1204NLF	11.93 303mm	10.15 258mm	4.08 104mm	4.16 106mm	10.25 260mm	8.25 210mm	10.75 273mm	8.88 225mm	PL120 PLA120	8.00 203mm	12.75 324mm	8.82 224mm	12.70 323mm	9.75 248mm	11.53 293mm	10.72 272mm	12.50 318mm	
AMP1206NL AMP1206NLF	11.93 303mm	10.15 258mm	6.08 154mm	6.06 154mm	10.25 260mm	8.25 210mm	10.75 273mm	8.88 225mm	PL120 PLA120	8.00 203mm	12.75 324mm	8.82 224mm	12.70 323mm	9.75 248mm	11.53 293mm	10.72 272mm	12.50 318mm	
AMP1426NL AMP1426NLF	13.85 352mm	12.07 307mm	6.13 156mm	5.99 152mm	12.25 311mm	10.25 260mm	12.75 324mm	10.88 276mm	PL142 PLA142	10.01 254mm	14.75, 14.62 375, 371mm	10.82 275mm	14.70 373mm	11.75 298mm	13.53 344mm	12.72 323mm	14.50 368mm	
AMP1648NL AMP1648NLF	15.98 406mm	13.98 355mm	8.00 203mm	8.27 210mm	14.25 362mm	12.25 311mm	14.75 375mm	12.88 327mm	P164 PA164	12.00 305mm	17.75 451mm	11.47 291mm	17.91 455mm	13.56 344mm	15.74 400mm	15.04 382mm	17.23 438mm	
AMP1860NL AMP1860NLF	18.04 458mm	16.04 407mm	10.00 254mm	10.27 261mm	16.22 412mm	14.25 362mm	16.88 429mm	14.88 378mm	P186 PA186	12.00 305mm	19.63, 19.51 499, 496mm	13.72 349mm	19.91 506mm	15.56 395mm	17.74 451mm	17.10 434mm	19.28 490mm	

All dimensions are in inches unless otherwise noted

"I" dimensions with multiple numbers indicate slotted holes

Enclosure base part numbers come standard with 4 separately bagged feet (ex. AMP664NL)

Part numbers with "F" signify factory installed flanges (ex. AMP664NLF)

Back panel specifications found on page 130

Data subject to change without notice

