

AMP Series

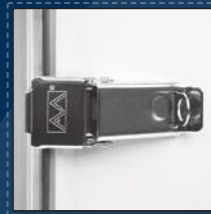
JIC SIZE JUNCTION BOXES

Cover Type

Clear Polycarbonate

Closure Type

Snap Latch Hinged Cover



Application

Designed to insulate and protect controls and components in both indoor and outdoor applications often found in industrial control panels, pump controls/waste water treatment, irrigation/water control, solar/wind, and chemical plants

- Light weight, impact resistant and good corrosion resistance for many industrial enclosure applications and a great alternative to metallic enclosures
- Protects from dirt, dust, and water
- Clear polycarbonate instrumentation cover, used in applications where critical electronic equipment must be visible and protected from the elements

Standards

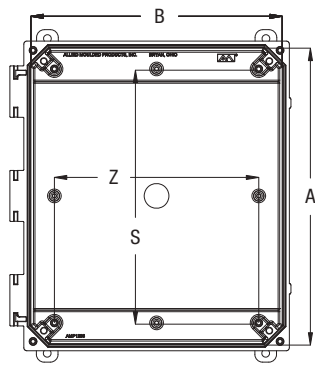
- UL 50 and UL 50E Types 1, 2, 3, 3R, 4, 4X, 12 and 13
- CSA C22.2 No. 94 Types 1, 2, 3, 3R, 4, 4X, 12 and 13
- Complies with:
 - NEMA Types 1, 2, 3, 3R, 4, 4X, 12 and 13
 - IEC 60529 Type IP66
 - RoHS directive

Construction

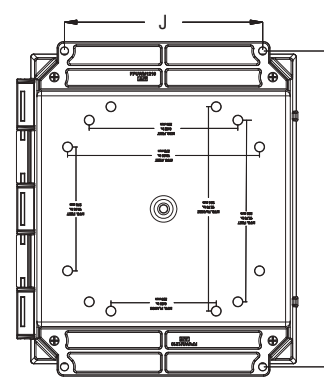
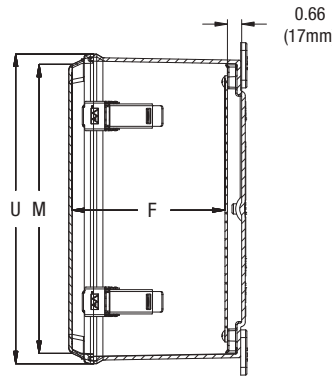
- Injection molded polycarbonate thermoplastic construction with flush, clear polycarbonate cover
- Enclosure base, feet, flanges — Light gray color (RAL 7035)
Note: foot models mounting hardware supplied in a bag. Flanged models are pre-assembled
- 316 stainless steel snap latches feature padlock hasp (.375" dia.)—(AMP1082 .354" dia.)
- Formed-In-Place (FIP) polyurethane gasket system encased in continuous channel
- 316 stainless steel foot/flange mounting hardware
- 316 stainless steel hinge pin (6"-14" sizes)
- Polycarbonate hinge clips (16" & 18" sizes)
- #10-32 threaded brass inserts are installed for back panel mounting

Accessories & Modifications

- Optional back panels and hinged front panels
- Custom holes and cutouts
- Optional foot/flange mounting hardware
- DIN rail mounting available with molded-in bosses using #10 sheet metal screws
- Factory-supplied silk screening

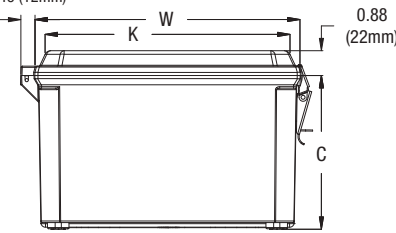


NOTE: COVER REMOVED FOR CLARITY



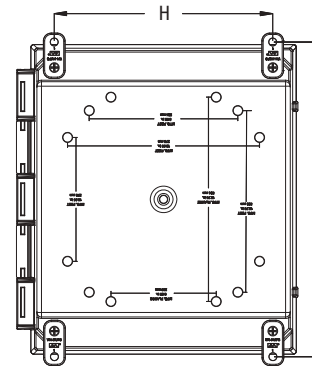
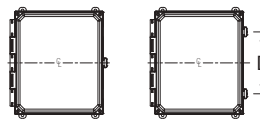
FLANGE MOUNT

- 6 x 6 x 4 - 14 x 12 x 6 0.56 (14mm)
- 16 x 14 x 8 .36 (9mm)
- 18 x 16 x 10 .46 (12mm)



LATCH LOCATIONS

- | | |
|----------------|------------------------------|
| FOR USE ON | FOR USE ON |
| 6 x 6 x 4 | 12 x 10 x 4.6 D=7.50 (191mm) |
| 8 x 6 x 4 | 14 x 12 x 6 D=8.00 (203mm) |
| 8 x 8 x 4 | 16 x 14 x 8 D=10.5 (267mm) |
| 10 x 8 x 2.4,6 | 18 x 16 x 10 D=12.5 (318mm) |



FOOT MOUNT

*Nom. Wall Thickness: .14 (4mm)
14" thru 18" sizes: .19 (5mm)

Part No.	Box Size			Usable Depth	Panel Boss Centers			Back Panel Size			Flange Mount Centers		Foot Mount Centers		Cover Size			
	A	B	C		F	S	Z	Ht.	Wid.	P/N	J	I	H	L	K	M	W	U
AMP664CCL	6.03	6.26	4.08	4.06	4.25	4.25	4.81	4.81	PL66	4.00	6.88, 6.75	4.91	6.75	5.67	5.45	6.72	6.50	
AMP664CCLF	153mm	159mm	104mm	103mm	108mm	108mm	122mm	122mm	PLA66	102mm	175, 171mm	125mm	171mm	144mm	139mm	171mm	165mm	
AMP864CCL	7.94	6.16	4.08	4.06	6.25	4.25	6.75	4.88	PL86	4.00	8.88, 8.75	4.91	8.75	5.67	7.45	6.72	8.50	
AMP864CCLF	202mm	156mm	104mm	103mm	159mm	108mm	171mm	124mm	PLA86	102mm	226, 222mm	125mm	222mm	144mm	189mm	171mm	216mm	
AMP884CCL	7.94	8.16	4.08	4.06	6.25	6.25	6.75	6.88	PL88	6.00	8.75	6.91	8.75	7.67	7.45	8.72	8.50	
AMP884CCLF	202mm	207mm	104mm	103mm	159mm	159mm	171mm	175mm	PLA88	152mm	222mm	175mm	222mm	195mm	189mm	221mm	216mm	
AMP1082CCL	9.93	8.15	2.70	2.68	8.25	6.25	8.75	6.88	PL108	6.00	10.75	6.91	10.75	7.75	9.67	8.72	10.50	
AMP1082CCLF	252mm	207mm	69mm	68mm	210mm	159mm	222mm	175mm	PLA108	152mm	273mm	175mm	273mm	197mm	246mm	221mm	267mm	
AMP1084CCL	9.93	8.15	4.08	4.06	8.25	6.25	8.75	6.88	PL108	6.00	10.75	6.91	10.75	7.75	9.67	8.72	10.50	
AMP1084CCLF	252mm	207mm	104mm	103mm	210mm	159mm	222mm	175mm	PLA108	152mm	273mm	175mm	273mm	197mm	246mm	221mm	267mm	
AMP1086CCL	9.90	8.12	5.94	6.06	8.25	6.25	8.75	6.88	PL108	6.00	10.75	6.91	10.75	7.75	9.67	8.72	10.50	
AMP1086CCLF	255mm	206mm	151mm	154mm	210mm	159mm	222mm	175mm	PLA108	152mm	273mm	175mm	273mm	197mm	246mm	221mm	267mm	
AMP1204CCL	11.93	10.15	4.08	4.16	10.25	8.25	10.75	8.88	PL120	8.00	12.75	8.82	12.70	9.75	11.53	10.72	12.50	
AMP1204CCLF	303mm	258mm	104mm	106mm	260mm	210mm	273mm	225mm	PLA120	203mm	324mm	224mm	323mm	248mm	293mm	272mm	318mm	
AMP1206CCL	11.93	10.15	6.08	6.06	10.25	8.25	10.75	8.88	PL120	8.00	12.75	8.82	12.70	9.75	11.53	10.72	12.50	
AMP1206CCLF	303mm	258mm	154mm	154mm	260mm	210mm	273mm	225mm	PLA120	203mm	324mm	224mm	323mm	248mm	293mm	272mm	318mm	
AMP1426CCL	13.85	12.07	6.13	5.99	12.25	10.25	12.75	10.88	PL142	10.01	14.75, 14.62	10.82	14.70	11.75	13.53	12.72	14.50	
AMP1426CCLF	352mm	307mm	156mm	152mm	311mm	260mm	324mm	276mm	PLA142	254mm	375, 371mm	275mm	373mm	298mm	344mm	323mm	368mm	
AMP1648CCL	15.98	13.98	8.00	8.27	14.25	12.25	14.75	12.88	P164	12.00	17.75	11.47	17.91	13.56	15.74	15.04	17.23	
AMP1648CCLF	406mm	355mm	203mm	210mm	362mm	311mm	375mm	327mm	PA164	305mm	451mm	291mm	455mm	344mm	400mm	382mm	438mm	
AMP1860CCL	18.04	16.04	10.00	10.27	16.22	14.25	16.88	14.88	P186	12.00	19.63, 19.51	13.72	19.91	15.56	17.74	17.10	19.28	
AMP1860CCLF	458mm	407mm	254mm	261mm	412mm	362mm	429mm	378mm	PA186	305mm	499, 496mm	349mm	506mm	395mm	451mm	434mm	490mm	

All dimensions are in inches unless otherwise noted

"I" dimensions with multiple numbers indicate slotted holes

Enclosure base part numbers come standard with 4 separately bagged feet (ex. AMP664CCL)

Part numbers with "F" signify factory installed flanges (ex. AMP664CCLF)

Back panel specifications found on page 130

Data subject to change without notice

