

AMP Series

JIC SIZE JUNCTION BOXES

Cover Type

Clear Polycarbonate

Closure Type

Hinged Screw Cover



Application

Designed to insulate and protect controls and components in both indoor and outdoor applications often found in industrial control panels, pump controls/waste water treatment, irrigation/water control, solar/wind, and chemical plants

- Light weight, impact resistant and good corrosion resistance for many industrial enclosure applications and a great alternative to metallic enclosures
- Protects from dirt, dust, and water
- Clear polycarbonate instrumentation cover, used in applications where critical electronic equipment must be visible and protected from the elements

Standards

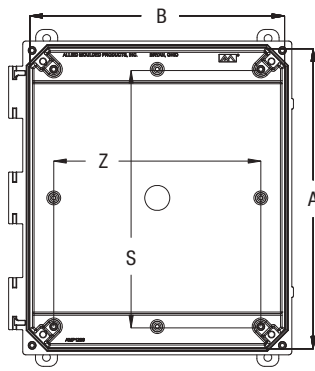
- UL 50 and UL 50E Types 1, 2, 3, 3R, 4, 4X, 12 and 13
- CSA C22.2 No. 94 Types 1, 2, 3, 3R, 4, 4X, 12 and 13
- Complies with:
 - NEMA Types 1, 2, 3, 3R, 4, 4X, 12 and 13
 - IEC 60529 Type IP66
 - RoHS directive

Construction

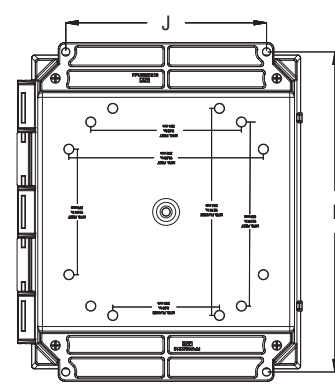
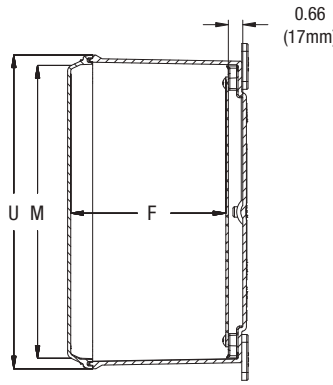
- Injection molded polycarbonate thermoplastic construction with flush, clear polycarbonate cover
- Enclosure base, feet, flanges — Light gray color (RAL 7035)
Note: foot models mounting hardware supplied in a bag. Flanged models are pre-assembled
- 316 stainless steel captive cover screws
- Formed-In-Place (FIP) polyurethane gasket system encased in continuous channel
- 316 stainless steel foot/flange mounting hardware
- 316 stainless steel hinge pin (6"-14" sizes)
- Polycarbonate hinge clips (16" & 18" sizes)
- #10-32 threaded brass inserts are installed for back panel mounting

Accessories & Modifications

- Optional back panels and hinged front panels
- Custom holes and cutouts
- Optional foot/flange mounting hardware
- DIN rail mounting available with molded-in bosses using #10 sheet metal screws
- Factory-supplied silk screening

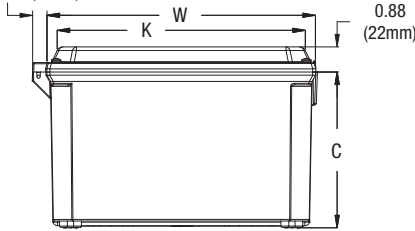


NOTE: COVER REMOVED FOR CLARITY

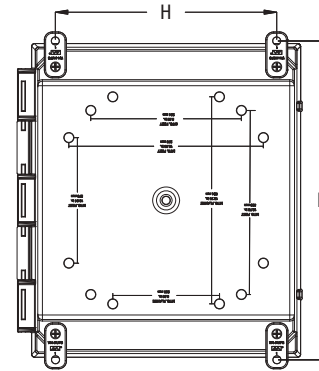


FLANGE MOUNT

6 x 6 x 4 - 14 x 12 x 6 0.56 (14mm)
16 x 14 x 8 .36 (9mm)
18 x 16 x 10 .46 (12mm)



*Nom. Wall Thickness: .14 (4mm)
14" thru 18" sizes: .19 (5mm)



FOOT MOUNT

Part No.	Box Size			Usable Depth	Panel Boss Centers		Back Panel Size			Flange Mount Centers		Foot Mount Centers		Cover Size			
	A	B	C		F	S	Z	Ht.	Wid.	P/N	J	I	H	L	K	M	W
AMP664CCH	6.03	6.26	4.08	4.06	4.25	4.25	4.81	4.81	PL66 PLA66	4.00	6.88, 6.75	4.91	6.75	5.67	5.45	6.72	6.50
AMP664CCHF	153mm	159mm	104mm	103mm	108mm	108mm	122mm	122mm		102mm	175, 171mm	125mm	171mm	144mm	139mm	171mm	165mm
AMP864CCH	7.94	6.16	4.08	4.06	6.25	4.25	6.75	4.88	PL86 PLA86	4.00	8.88, 8.75	4.91	8.75	5.67	7.45	6.72	8.50
AMP864CCHF	202mm	156mm	104mm	103mm	159mm	108mm	171mm	124mm		102mm	226, 222mm	125mm	222mm	144mm	189mm	171mm	216mm
AMP884CCH	7.94	8.16	4.08	4.06	6.25	6.25	6.75	6.88	PL88 PLA88	6.00	8.75	6.91	8.75	7.67	7.45	8.72	8.50
AMP884CCHF	202mm	207mm	104mm	103mm	159mm	159mm	171mm	175mm		152mm	222mm	175mm	222mm	195mm	189mm	221mm	216mm
AMP1082CCH	9.93	8.15	2.70	2.68	8.25	6.25	8.75	6.88	PL108 PLA108	6.00	10.75	6.91	10.75	7.75	9.67	8.72	10.50
AMP1082CCHF	252mm	207mm	69mm	68mm	210mm	159mm	222mm	175mm		152mm	273mm	175mm	273mm	197mm	246mm	221mm	267mm
AMP1084CCH	9.93	8.15	4.08	4.06	8.25	6.25	8.75	6.88	PL108 PLA108	6.00	10.75	6.91	10.75	7.75	9.67	8.72	10.50
AMP1084CCHF	252mm	207mm	104mm	103mm	210mm	159mm	222mm	175mm		152mm	273mm	175mm	273mm	197mm	246mm	221mm	267mm
AMP1086CCH	9.90	8.12	5.94	6.06	8.25	6.25	8.75	6.88	PL108 PLA108	6.00	10.75	6.91	10.75	7.75	9.67	8.72	10.50
AMP1086CCHF	255mm	206mm	151mm	154mm	210mm	159mm	222mm	175mm		152mm	273mm	175mm	273mm	197mm	246mm	221mm	267mm
AMP1204CCH	11.93	10.15	4.08	4.16	10.25	8.25	10.75	8.88	PL120 PLA120	8.00	12.75	8.82	12.70	9.75	11.53	10.72	12.50
AMP1204CCHF	303mm	258mm	104mm	106mm	260mm	210mm	273mm	225mm		203mm	324mm	224mm	323mm	248mm	293mm	272mm	318mm
AMP1206CCH	11.93	10.15	6.08	6.06	10.25	8.25	10.75	8.88	PL120 PLA120	8.00	12.75	8.82	12.70	9.75	11.53	10.72	12.50
AMP1206CCHF	303mm	258mm	154mm	154mm	260mm	210mm	273mm	225mm		203mm	324mm	224mm	323mm	248mm	293mm	272mm	318mm
AMP1426CCH	13.85	12.07	6.13	5.99	12.25	10.25	12.75	10.88	PL142 PLA142	10.01	14.75, 14.62	10.82	14.70	11.75	13.53	12.72	14.50
AMP1426CCHF	352mm	307mm	156mm	152mm	311mm	260mm	324mm	276mm		254mm	375, 371mm	275mm	373mm	298mm	344mm	323mm	368mm
AMP1648CCH	15.98	13.98	8.00	8.27	14.25	12.25	14.75	12.88	P164 PA164	12.00	17.75	11.47	17.91	13.56	15.74	15.04	17.23
AMP1648CCHF	406mm	355mm	203mm	210mm	362mm	311mm	375mm	327mm		305mm	451mm	291mm	455mm	344mm	400mm	382mm	438mm
AMP1860CCH	18.04	16.04	10.00	10.27	16.22	14.25	16.88	14.88	P186 PA186	12.00	19.63, 19.51	13.72	19.91	15.56	17.74	17.10	19.28
AMP1860CCHF	458mm	407mm	254mm	261mm	412mm	362mm	429mm	378mm		305mm	499, 496mm	349mm	506mm	395mm	451mm	434mm	490mm

All dimensions are in inches unless otherwise noted
"I" dimensions with multiple numbers indicate slotted holes

Data subject to change without notice

Enclosure base part numbers come standard with 4 separately bagged feet (ex. AMP664CCH)

Part numbers with "F" signify factory installed flanges (ex. AMP664CCHF)

Back panel specifications found on page 130

