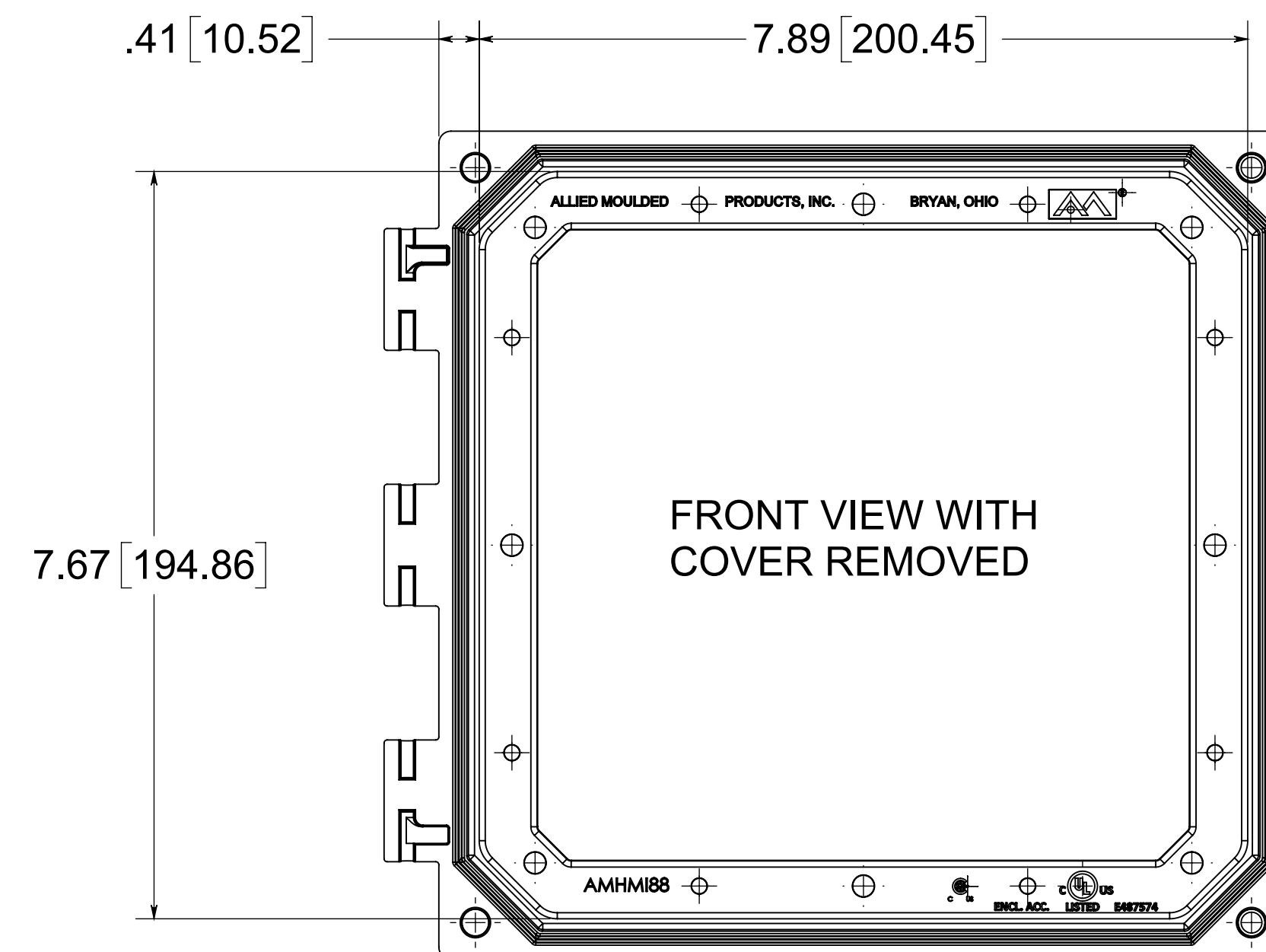
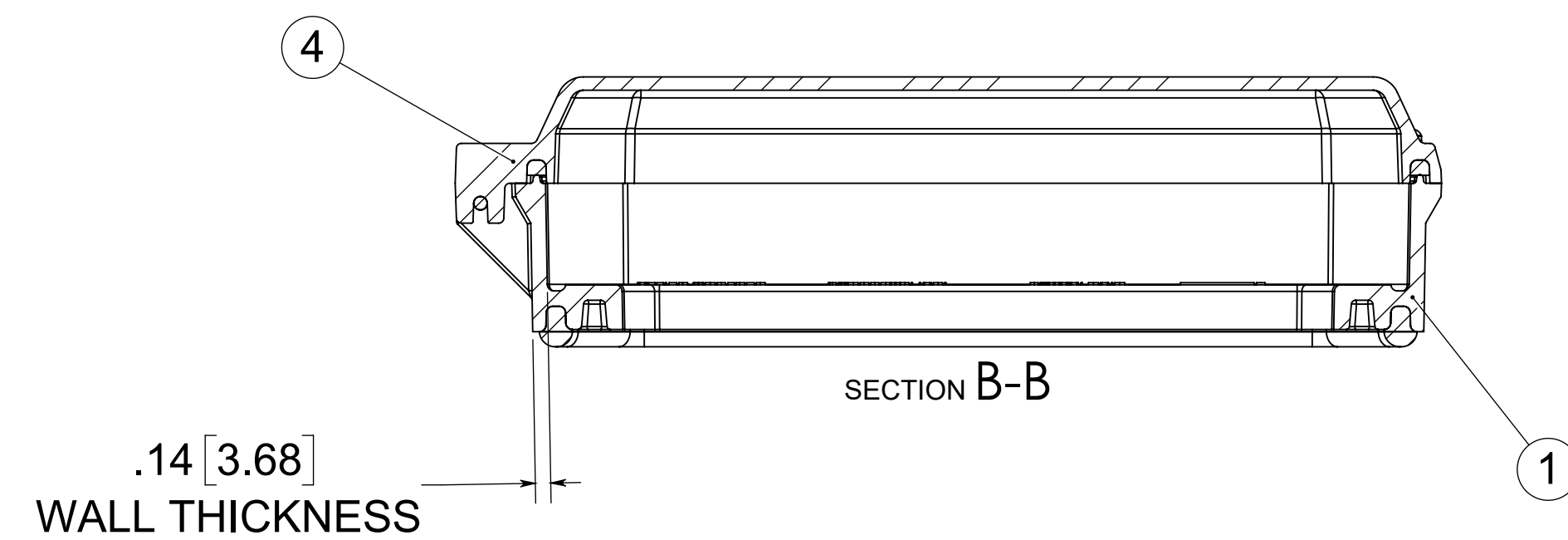
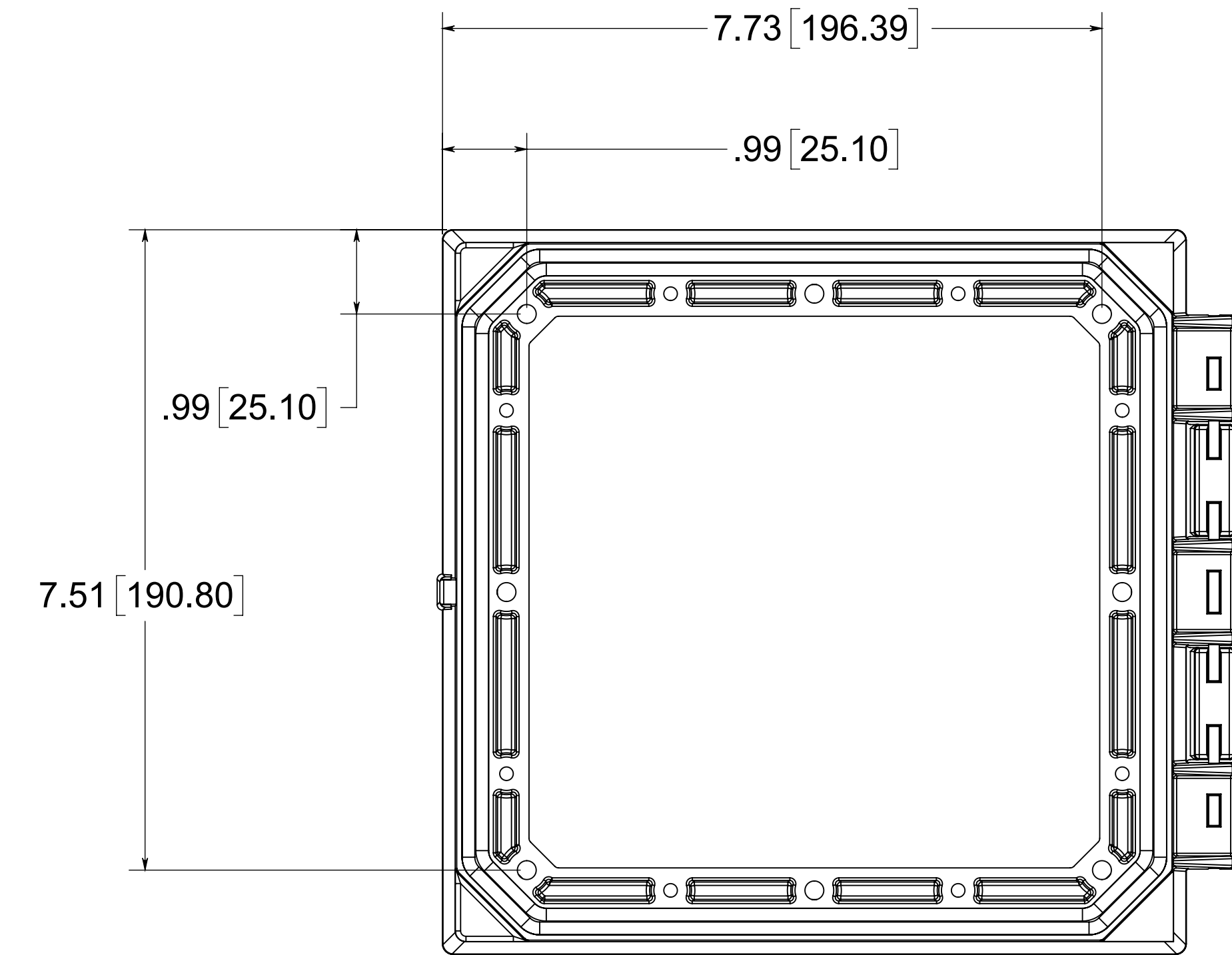
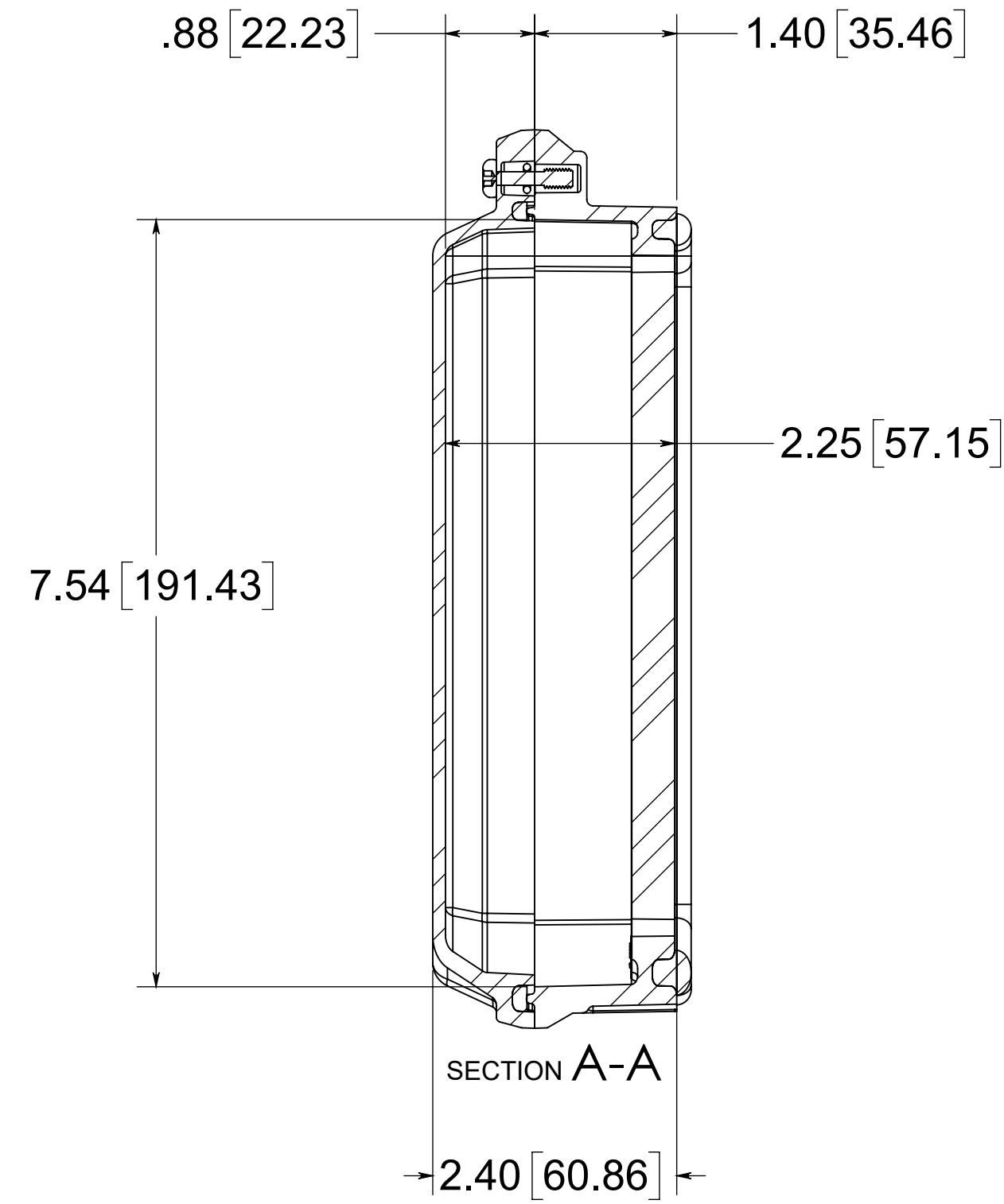
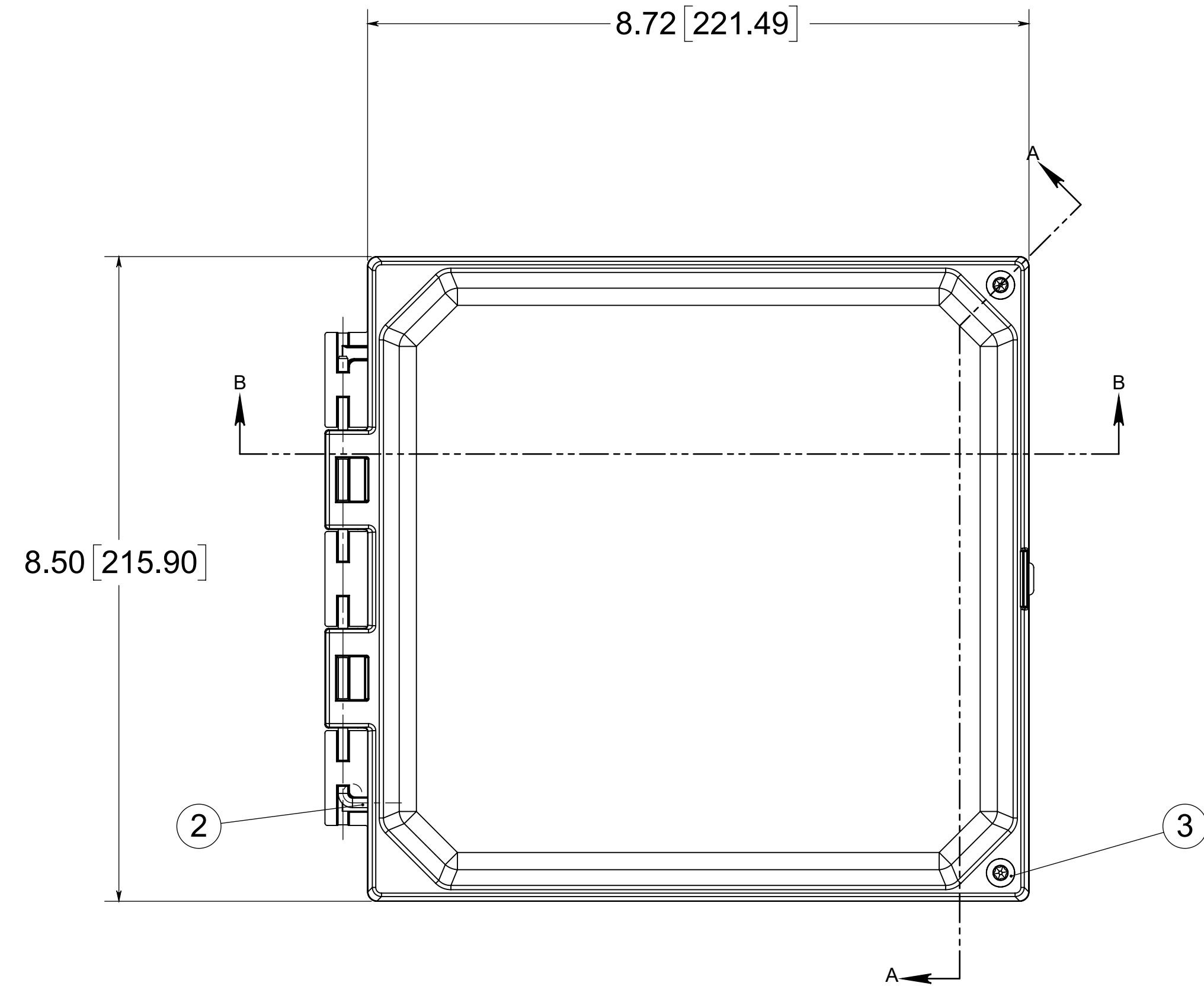


CONFIDENTIAL
 THIS MATERIAL IS OWNED BY THE ALLIED MOULDED PRODUCTS COMPANY. IT IS DISCLOSED IN CONFIDENCE AND IS NOT TO BE REPRODUCED OR DISTRIBUTED WITHOUT PRIOR WRITTEN PERMISSION FROM ALLIED MOULDED PRODUCTS.
 © Allied Moulded Products, Inc. All Rights Reserved

Date	Rev	Description	ECN No.	DR	CK	REL
10/03/2017	01	INITIAL RELEASE	ECN-12301	ZDW	SMZ	GEL
-	-	-	-	-	-	-
-	-	-	-	-	-	-



ITEM NO.	PART NUMBER	DESCRIPTION	Default/QTY.
1	WGF88	WIP FIP 88 HMI FRAME	1
2	70-HPIN8316	HINGE PIN	1
3	CMSO316TP	TAMPER PROOF SCREW WITH O-RING	2
4	WGP88C	WIP FIP GRAY POLY CVR	1

MATERIAL:
 FRAME- INJECTED POLYCARBONATE
 STANDARD COVER- INJECTED POLYCARBONATE
 CLEAR COVER- INJECTED POLYCARBONATE

DRAWING STAMP FOR QUOTATION ONLY UNLESS OTHERWISE SPECIFIED: DIMENSIONS ARE IN INCHES	TOLERANCES: .XX = ±.01 .XXX = ±.005 FRACTIONAL ± 1/64 ANGULAR ± 0°30'	STRAIGHTNESS &/OR FLATNESS: .005" MACHINED SURFACES: 125 OR BETTER PERPEND.: .005" CONCEN.: .005"	MOLD VERSION: <MOLD VERSION> STANDARD SYMBOLS D+ = PLUS DRAFT D- = MINUS DRAFT (M) = MATCH DRILL (1) = 1° DRAFT (3) = 3° DRAFT (S) = STEEL SAFE	PROJECT NO.	ASSET NO.	BOM PART NO.
				ALLIED MOULDED PRODUCTS BRYAN, OHIO The Original Fiber Glass Outlet Box		
DRAWING SIZE: SHEET 1 OF 1 DO NOT SCALE			CRIB NO.: -	DRAWN: ZDW 9/29/2017	MATERIAL: SEE BOM FINISH / HEAT TREAT SEE NOTES	REV 01
			2ND CHECK: SMZ 10/10/2017	3RD CHECK: GEL 10/10/2017	PART NUMBER: AMHM188HTP	