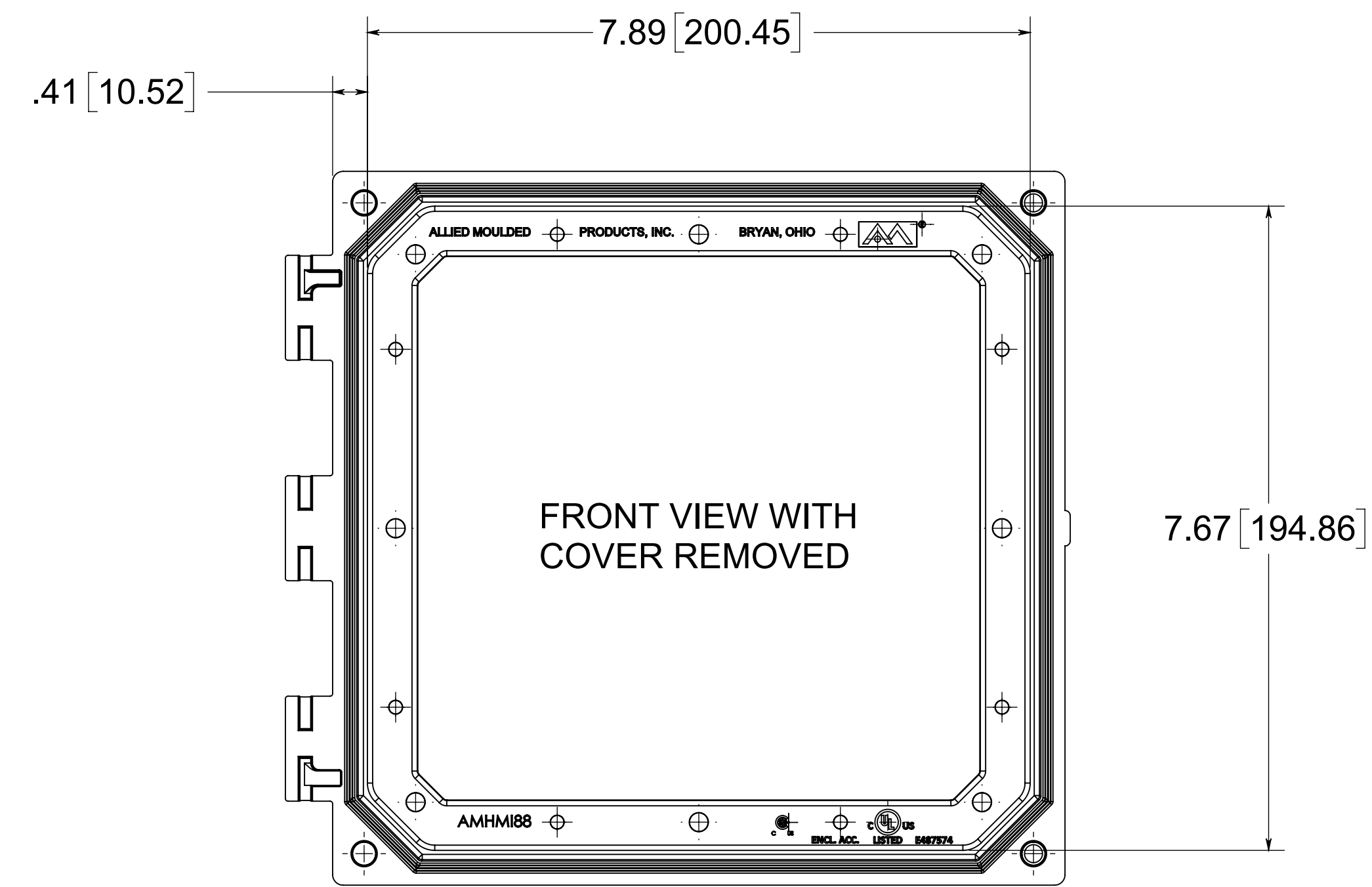
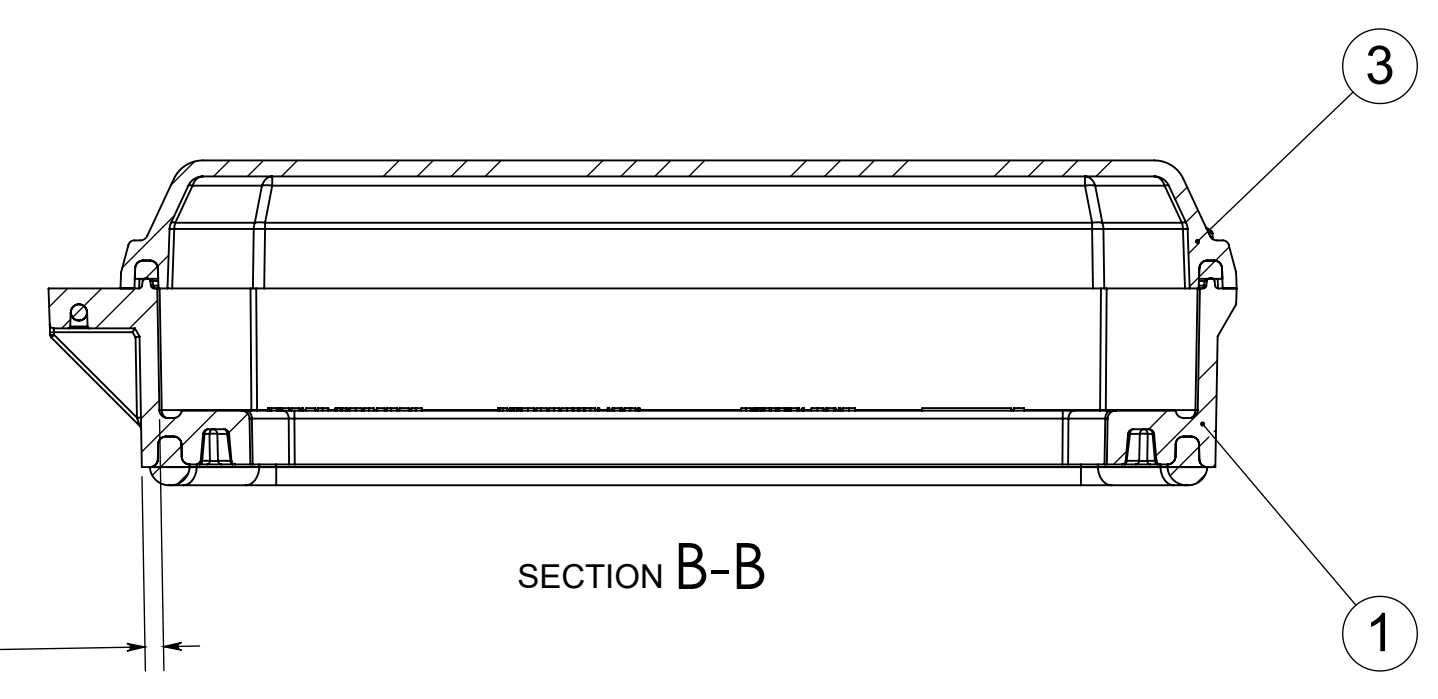
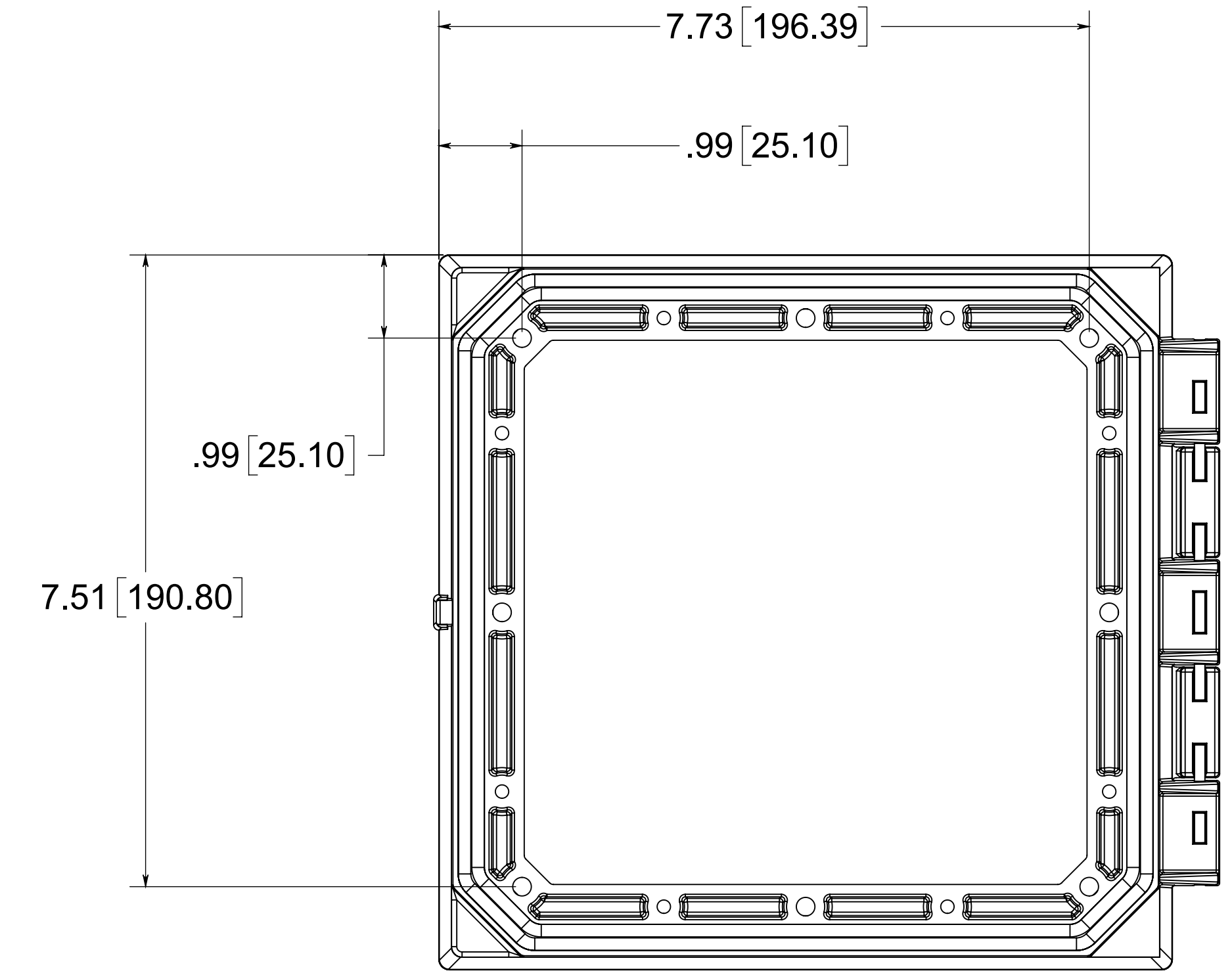
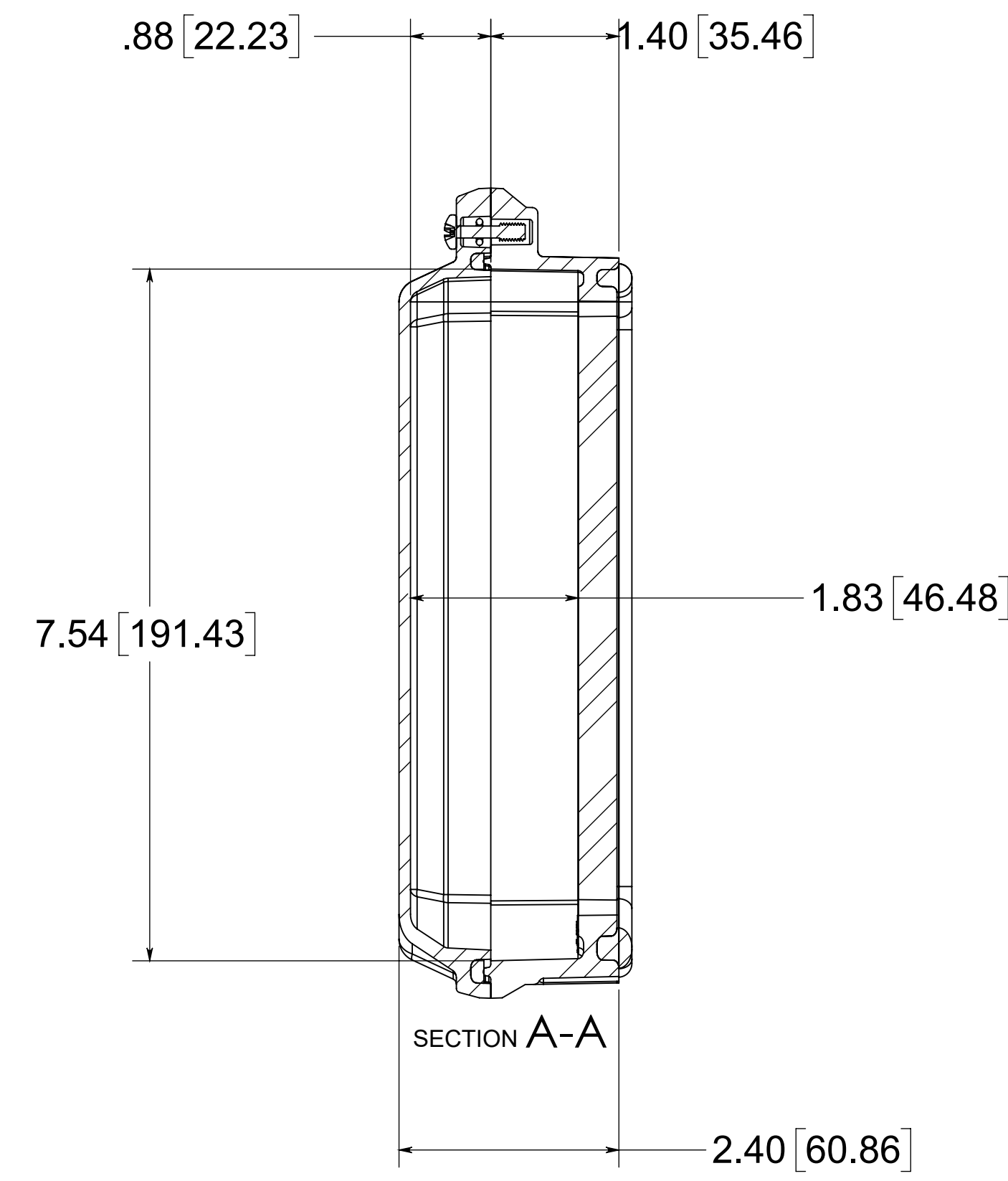
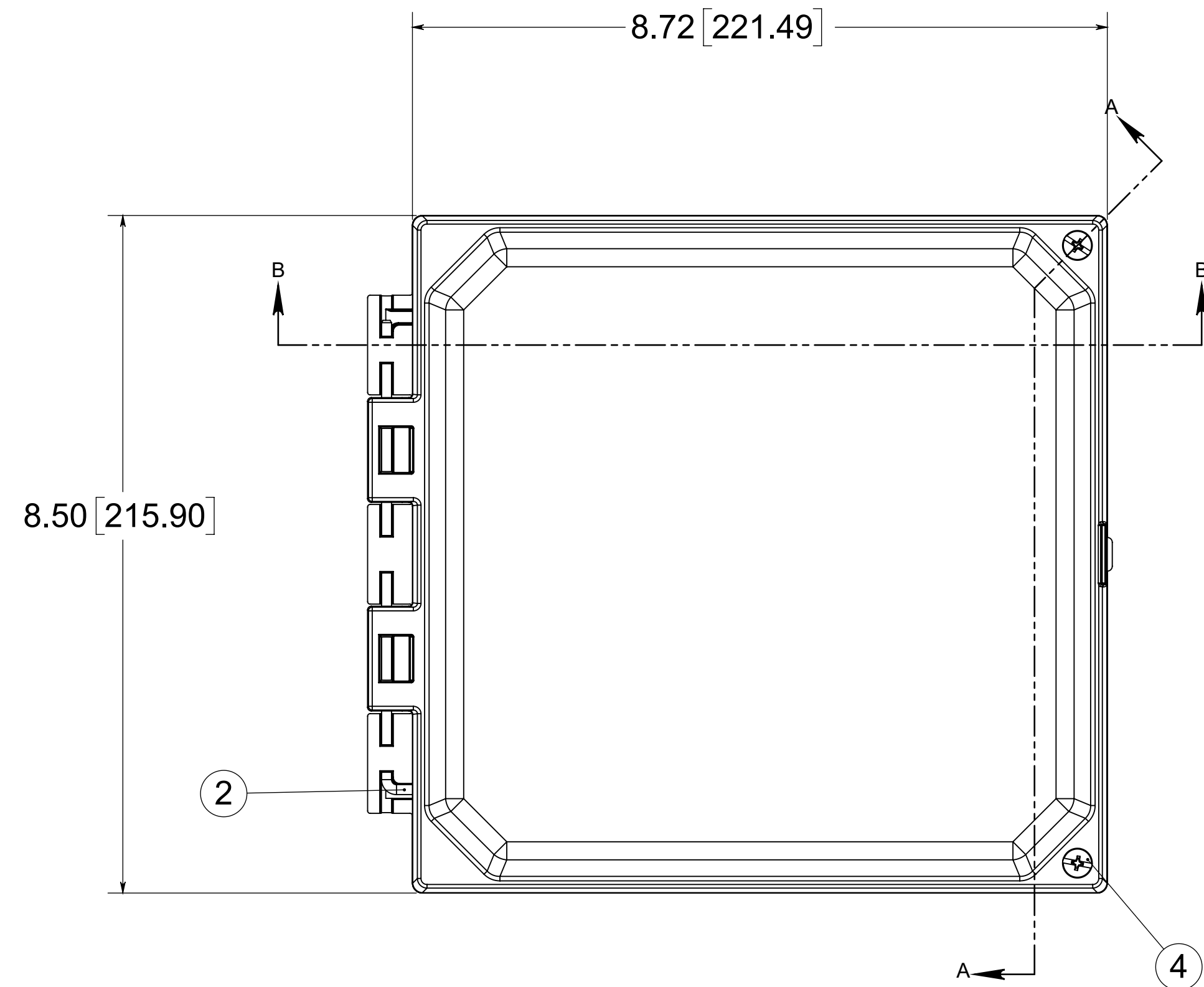


CONFIDENTIAL
 THIS MATERIAL IS OWNED BY THE ALLIED MOULDED PRODUCTS COMPANY. IT IS DISCLOSED IN CONFIDENCE AND IS NOT TO BE REPRODUCED OR DISTRIBUTED WITHOUT PRIOR WRITTEN PERMISSION FROM ALLIED MOULDED PRODUCTS.
 © Allied Moulded Products, Inc. All Rights Reserved

Date	Rev	Description	ECN No.	DR	CK	REL
10/03/2017	01	INITIAL RELEASE	ECN-12301	ZDW	SMZ	GEL
-	-	-	-	-	-	-
-	-	-	-	-	-	-



ITEM NO.	PART NUMBER	DESCRIPTION	Default/QTY.
1	WGF88	WIP FIP 88 HMI FRAME	1
2	70-HPIN8316	HINGE PIN	1
3	WGP88C	WIP FIP GRAY POLY CVR	1
4	CMSO316	NEMA COVER MOUNT 316 SCREW WITH O-RING	2

MATERIAL:
 FRAME- INJECTED POLYCARBONATE
 STANDARD COVER- INJECTED POLYCARBONATE
 CLEAR COVER- INJECTED POLYCARBONATE

DRAWING STAMP	FOR QUOTATION ONLY	MOLD VERSION	PROJECT NO.	ASSET NO.	BOM PART NO.
	UNLESS OTHERWISE SPECIFIED: DIMENSIONS ARE IN INCHES	<MOLD VERSION>			
TOLERANCES:	STRAIGHTNESS &/OR FLATNESS: .005"	STANDARD SYMBOLS	ALLIED MOULDED PRODUCTS BRYAN, OHIO The Original Fiber Glass Outlet Box		
.XX = ±.01	MACHINED SURFACES: 125 OR BETTER	D = MINUS DRAFT			
.XXX = ±.005	FRACTIONAL ± 1/64 PERPEND.: ⊥ .005"	M = MATCH DRILL	Access-Indus DRAWN: ZDW 9/29/2017 MATERIAL: SEE BOM TEST CHECK: ZDW 10/05/2017 FINISH / HEAT TREAT: SEE NOTES DIM CHECK: SMZ 10/10/2017 PRINT NUMBER: AMHM188H RELEASED: GEL 10/10/2017		
ANGULAR ± 0°30'	CONCEN.: Ⓢ .005"	① = 1° DRAFT	SHEET 1 OF 1 DO NOT SCALE		
		③ = 3° DRAFT	CRIB NO.: -		
		④ = STEEL SAFE	REV: 01		