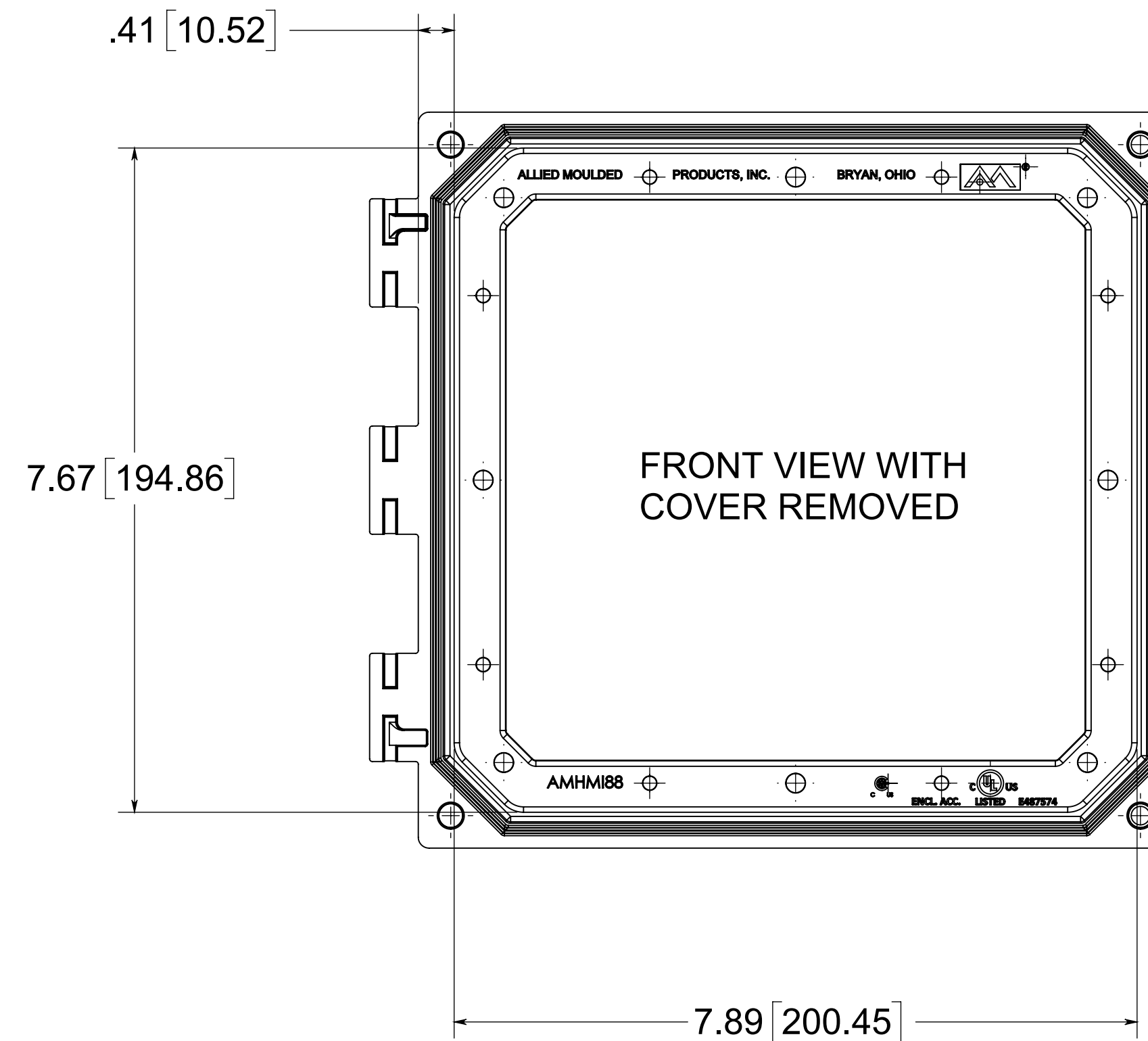
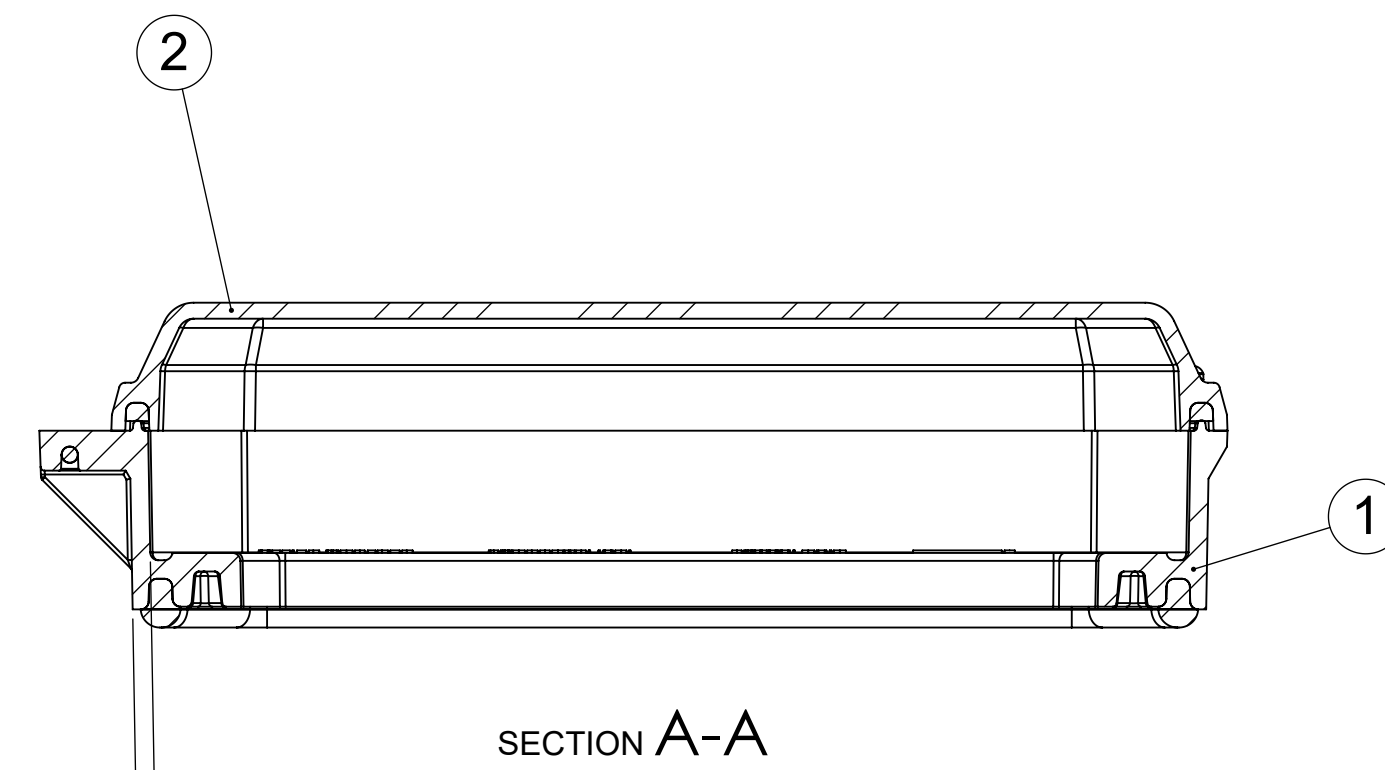
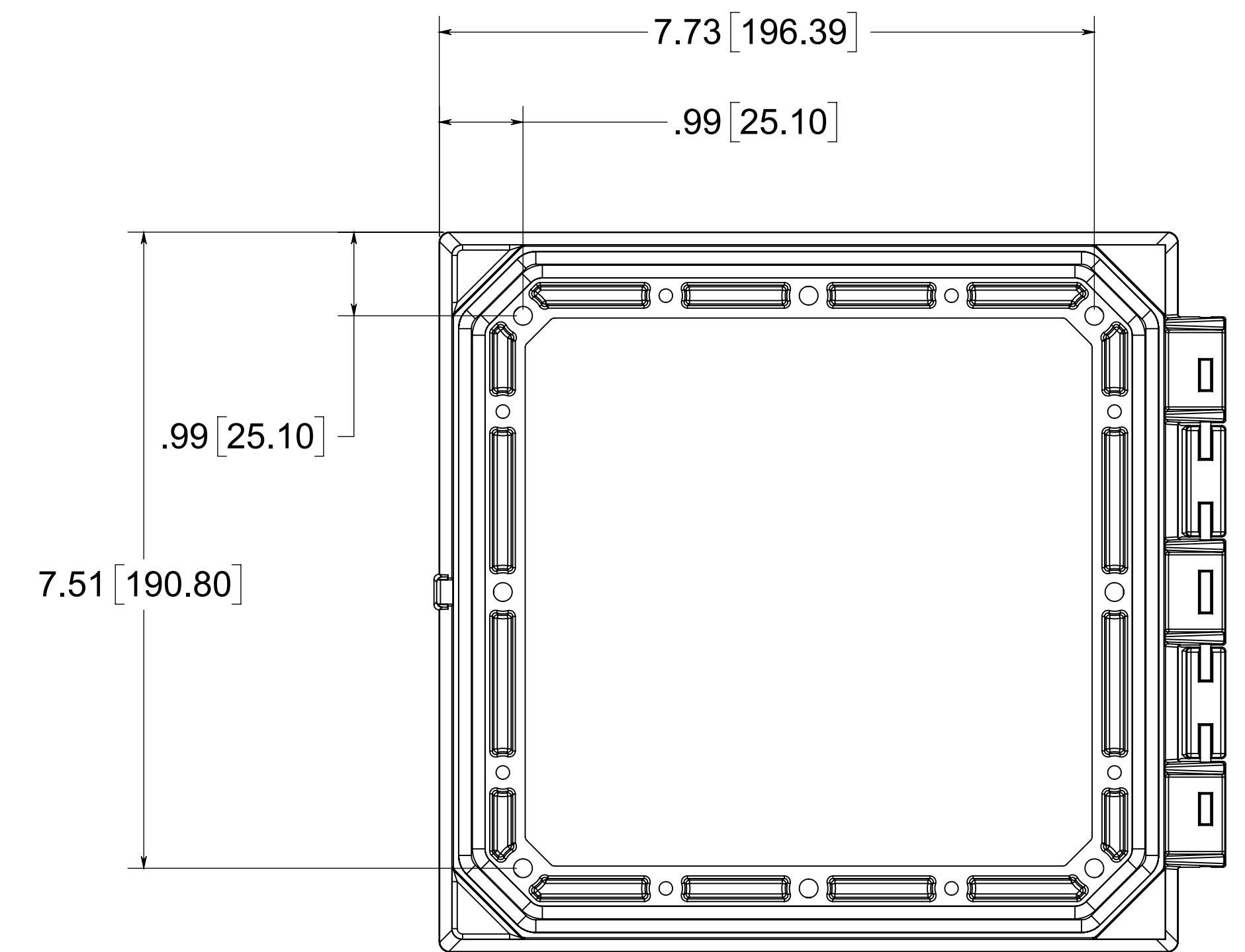
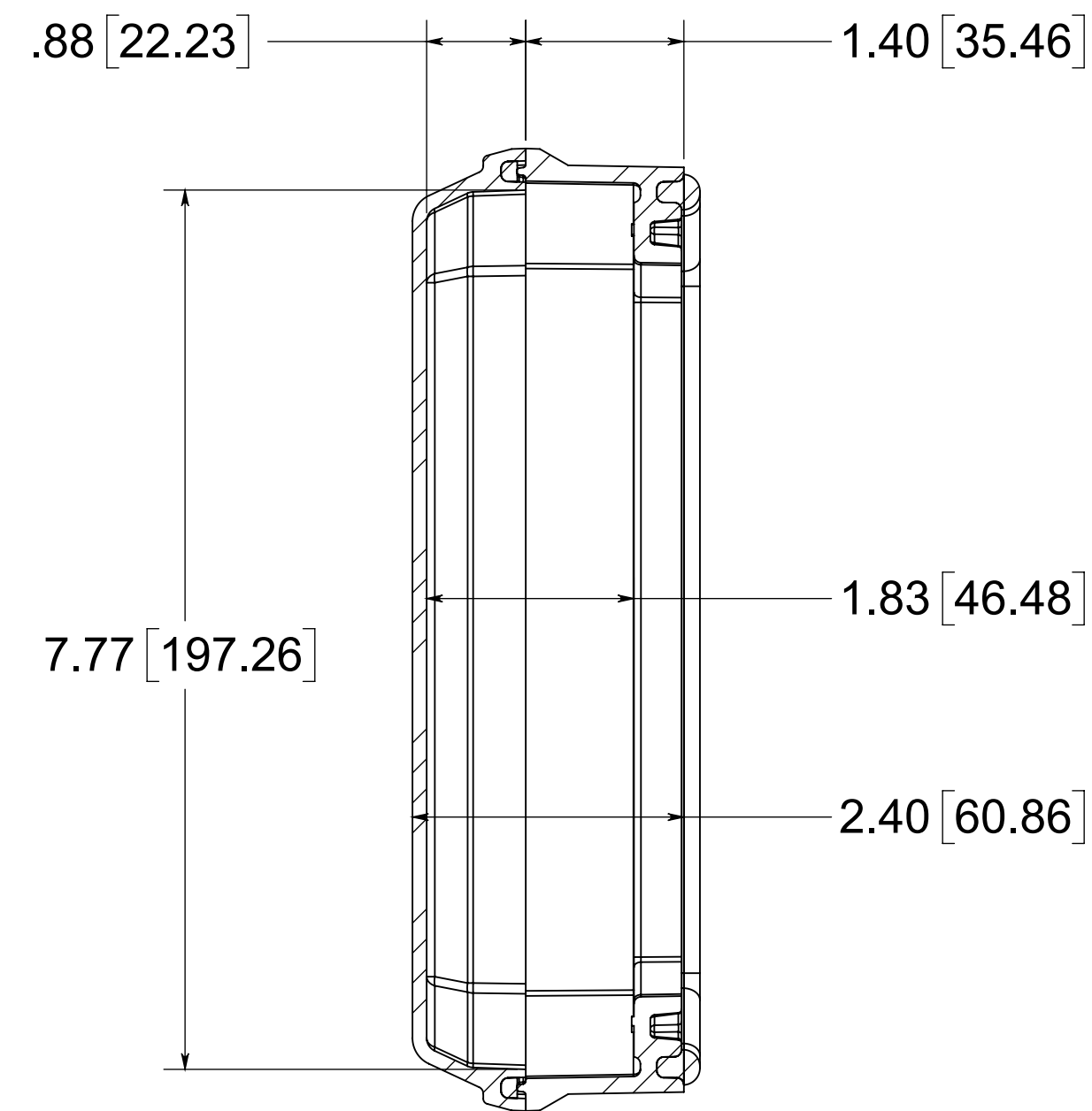
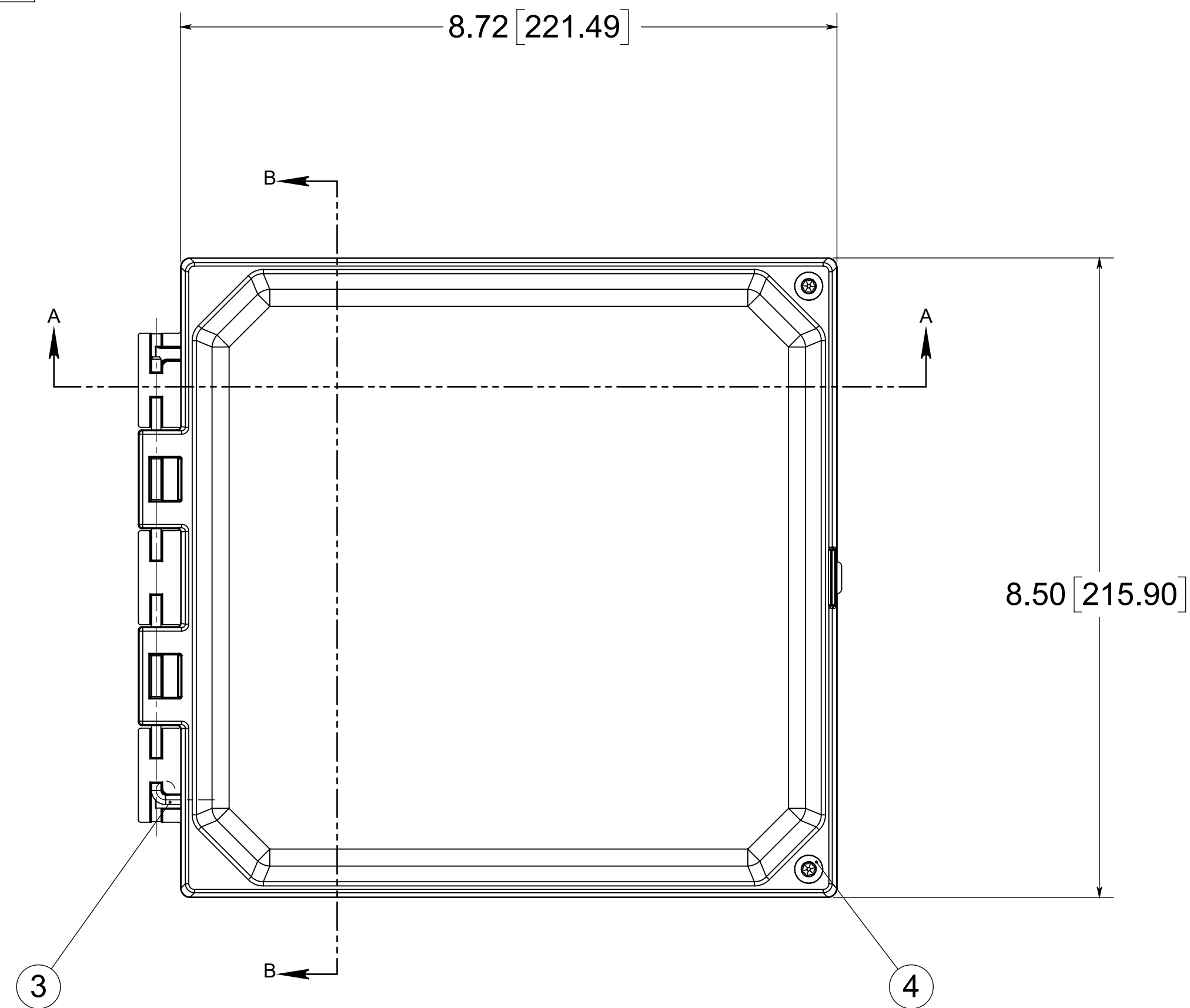


**CONFIDENTIAL**  
 THIS MATERIAL IS OWNED BY THE ALLIED MOULDED PRODUCTS COMPANY. IT IS DISCLOSED IN CONFIDENCE AND IS NOT TO BE REPRODUCED OR DISTRIBUTED WITHOUT PRIOR WRITTEN PERMISSION FROM ALLIED MOULDED PRODUCTS.  
 © Allied Moulded Products, Inc. All Rights Reserved

Date	Rev	Description	ECN No.	DR	CK	REL
10/02/2017	01	INITIAL RELEASE	ECN-12301	ZDW	SMZ	GEL
-	-	-	-	-	-	-
-	-	-	-	-	-	-



ITEM NO.	PART NUMBER	DESCRIPTION	Default/QTY.
1	WGF88	WIP FIP 88 HMI FRAME	1
2	WGP88CX	WIP FIP CLEAR POLY CVR	1
3	70-HPIN8316	HINGE PIN	1
4	CMSO316TP	TAMPER PROOF SCREW WITH O-RING	2

**MATERIAL:**  
 FRAME- INJECTED POLYCARBONATE  
 STANDARD COVER- INJECTED POLYCARBONATE  
 CLEAR COVER- INJECTED POLYCARBONATE

DRAWING STAMP		<b>FOR QUOTATION ONLY</b>		MOLD VERSION: <MOLD VERSION>		PROJECT NO.	ASSET NO.	BOM PART NO.
UNLESS OTHERWISE SPECIFIED: DIMENSIONS ARE IN INCHES		STANDARD SYMBOLS		D = PLUS DRAFT		<b>ALLIED MOULDED PRODUCTS</b> BRYAN, OHIO The Original Fiber Glass Outlet Box		
TOLERANCES: STRAIGHTNESS &/OR FLATNESS: .005" .XX = ±.01 .XXX = ±.005 FRACTIONAL ± 1/64 ANGULAR ± 0°30'		MACHINED SURFACES: 125° OR BETTER PERPEND.: ⊥ .005" CONCEN.: Ⓢ .005"		D = MINUS DRAFT (M) = MATCH DRILL (1) = 1° DRAFT (3) = 3° DRAFT (S) = STEEL SAFE				
THIRD ANGLE PROJECTION		SHEET 1 OF 1		CRIB NO.:		MATERIAL: SEE BOM FINISH / HEAT TREAT: SEE NOTES PRINT NUMBER: AMHM188CCHTP REV: 01		
		DO NOT SCALE						