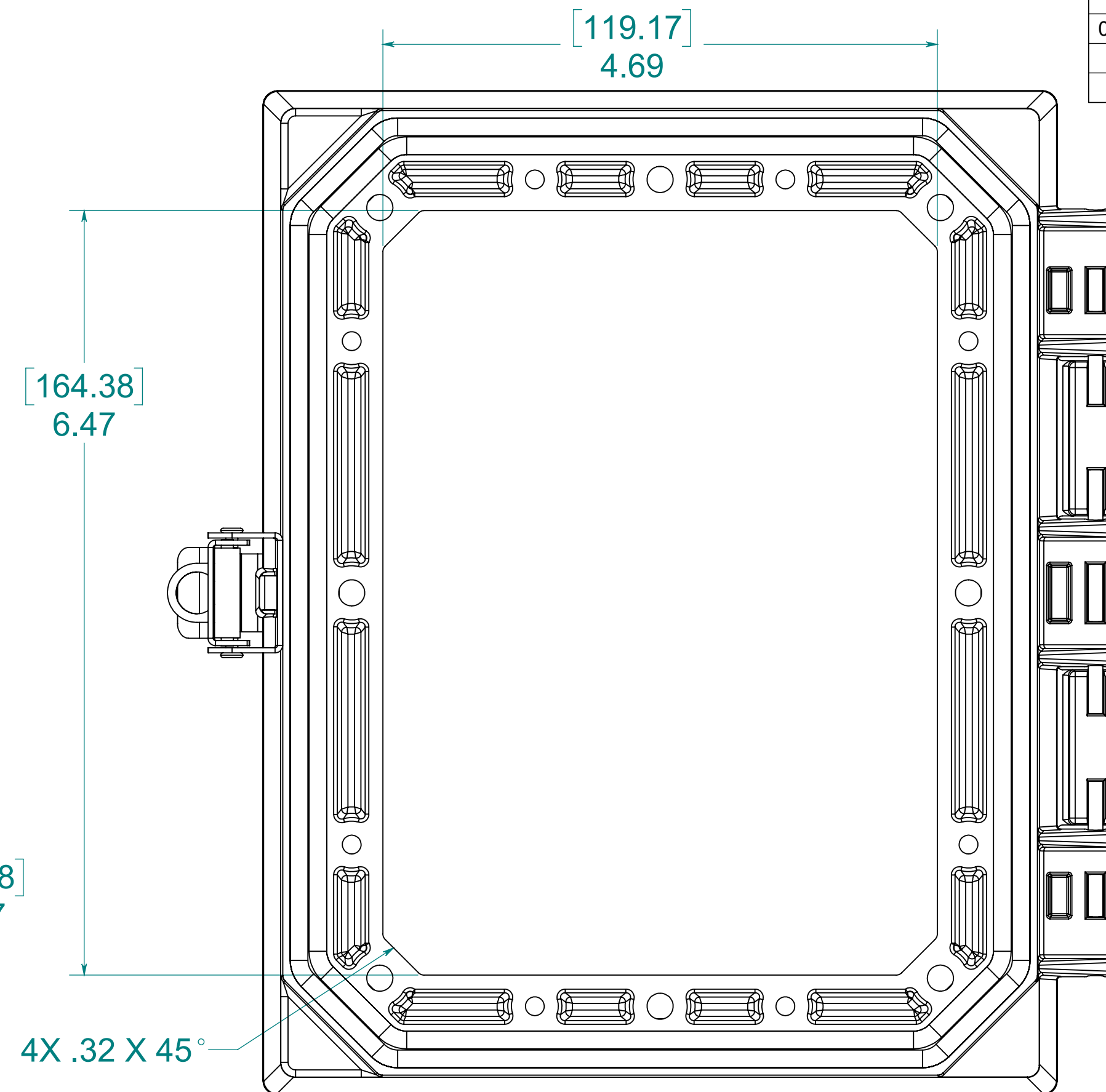
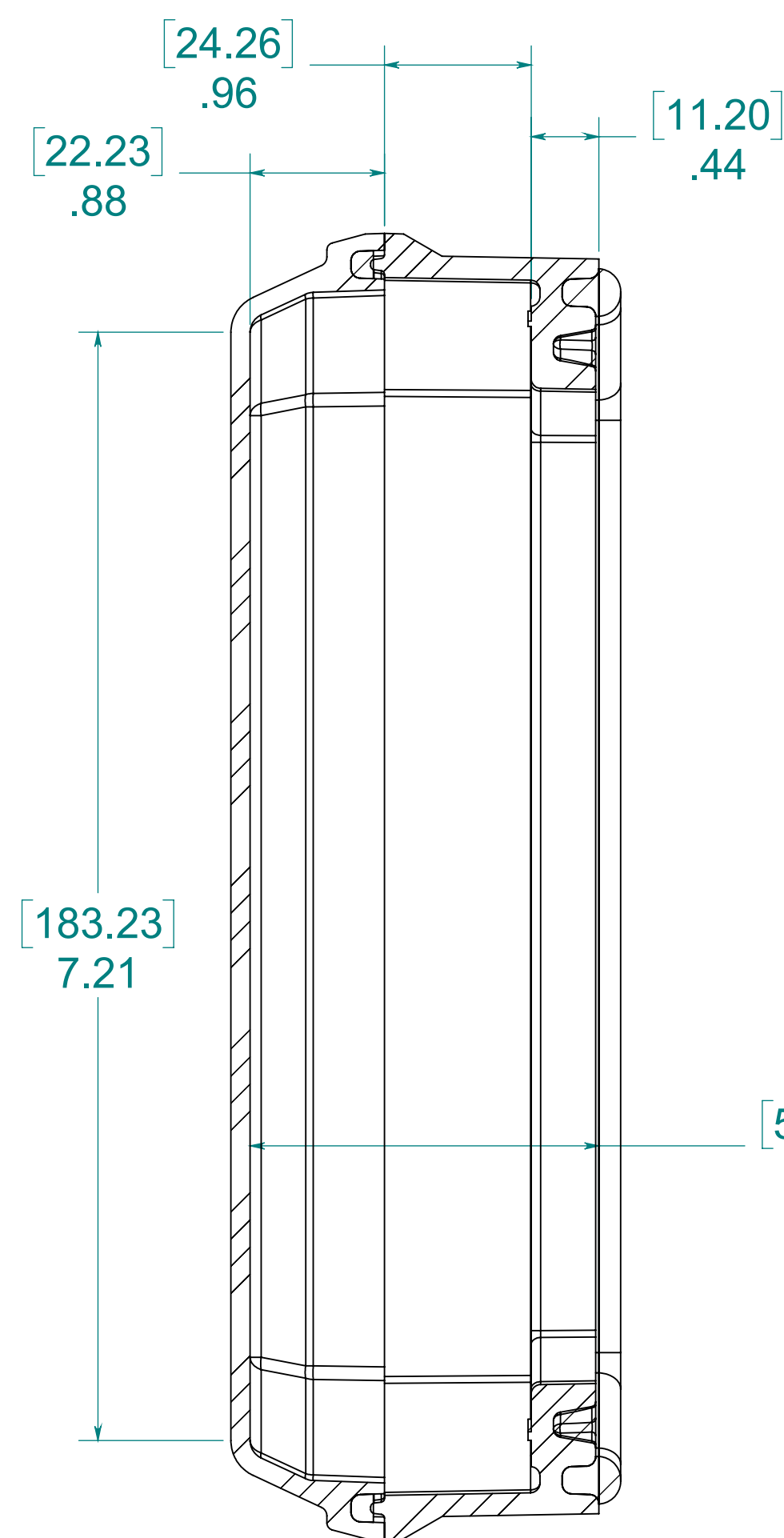
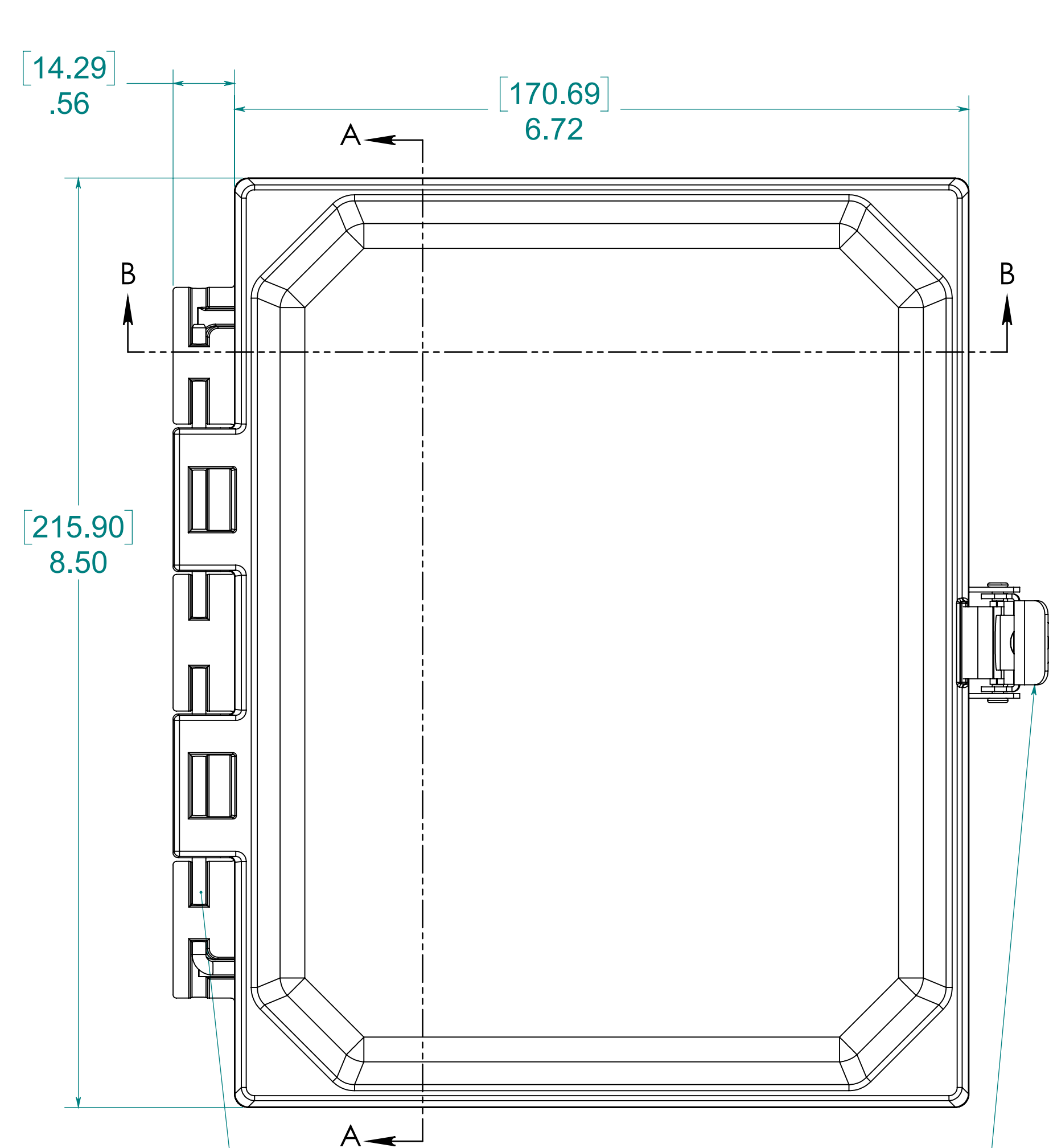
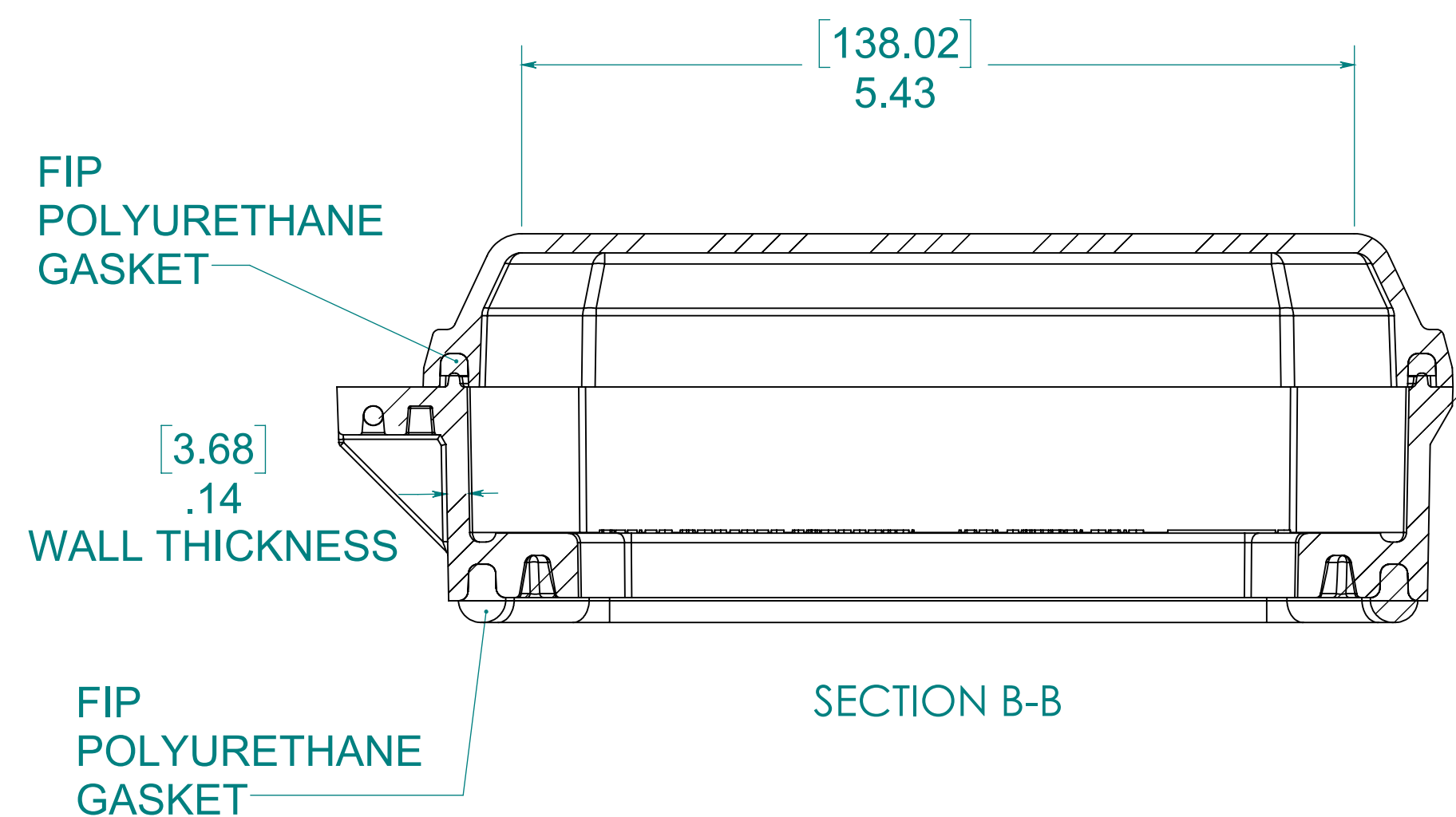


Date	Rev	Description	ECN No.	ISSUE DATE	CK	REL
08/09/2019		INITIAL RELEASE	ECN-330	DJL	LJS	GEL
-	-	-	-	-	-	-
-	-	-	-	-	-	-

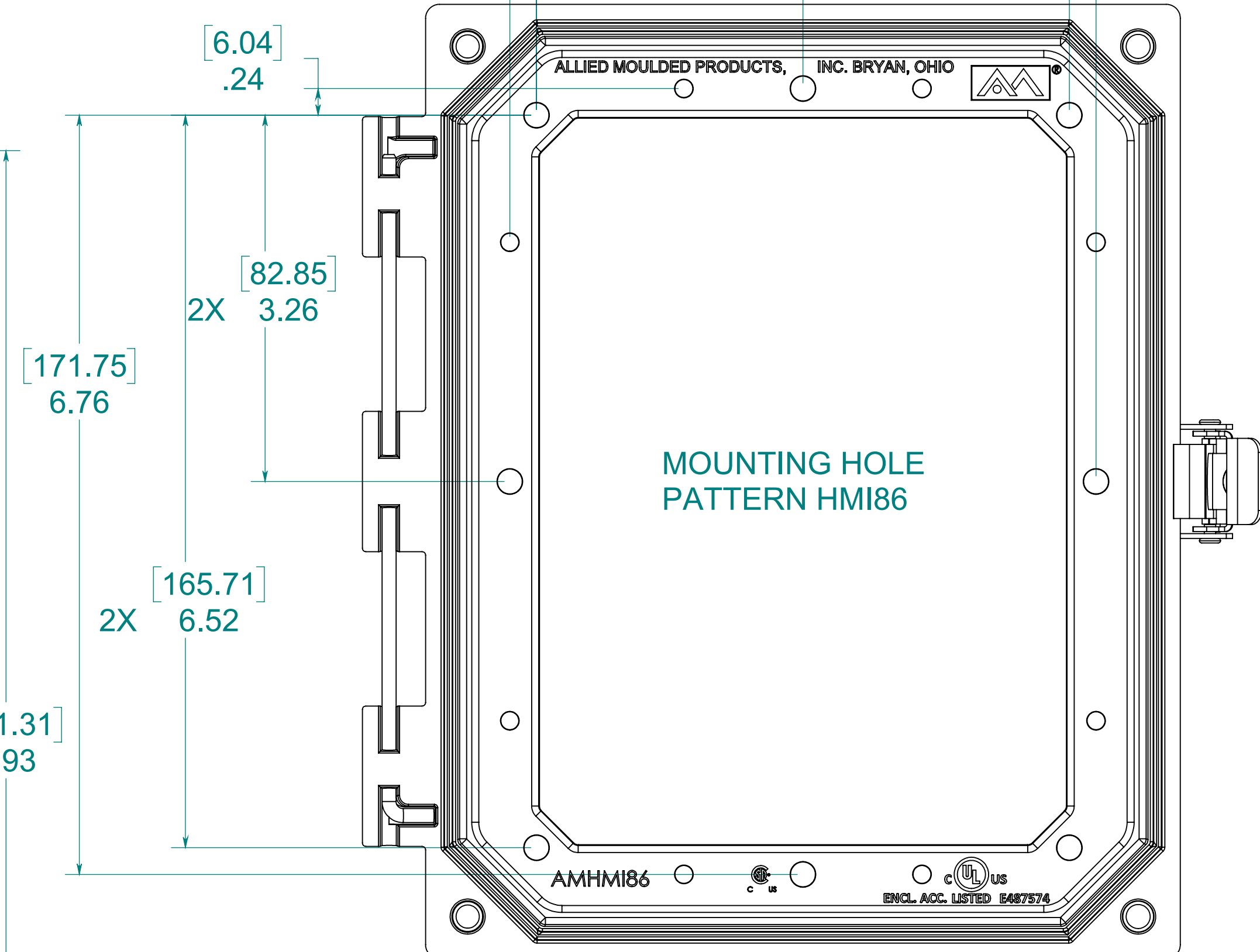
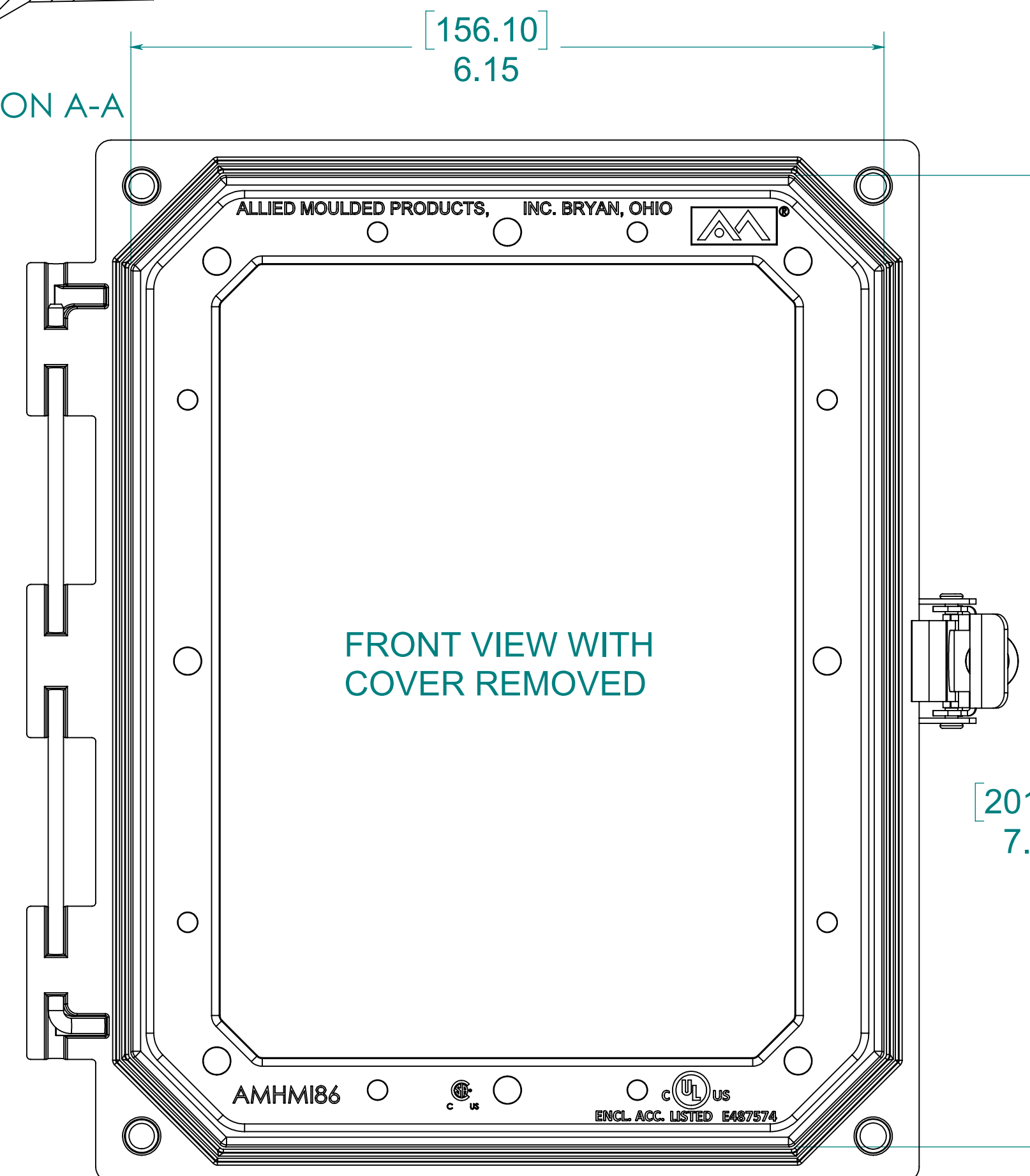


316 STAINLESS STEEL HINGE PIN

316 STAINLESS STEEL LOCKABLE SNAP LATCH



SECTION A-A



MATERIAL:  
 FRAME- INJECTED POLYCARBONATE  
 STANDRAD COVER- INJECTED POLYCARBONATE  
 CLEAR COVER- INJECTED POLYCARBONATE

- NOTE:
1. DATA SUBJECT TO CHANGE WITHOUT NOTICE
  2. WILL FIT ALLIED MOULDED ENCLOSURES SIZE 10X8 AND LARGER

CONFIDENTIAL  
 THIS MATERIAL IS OWNED BY THE ALLIED MOULDED PRODUCTS COMPANY, IS DISCLOSED IN CONFIDENCE, AND IS NOT TO BE REPRODUCED OR DISTRIBUTED WITHOUT PRIOR WRITTEN PERMISSION FROM ALLIED MOULDED PRODUCTS.  
 © 2018 Allied Moulded Products, Inc. All Rights Reserved

ALLIED MOULDED PRODUCTS, INC. BRYAN, OHIO  
 The Original Fiber Glass Outlet Box

Access-Indus  
 Part No. AMHMI86CCL