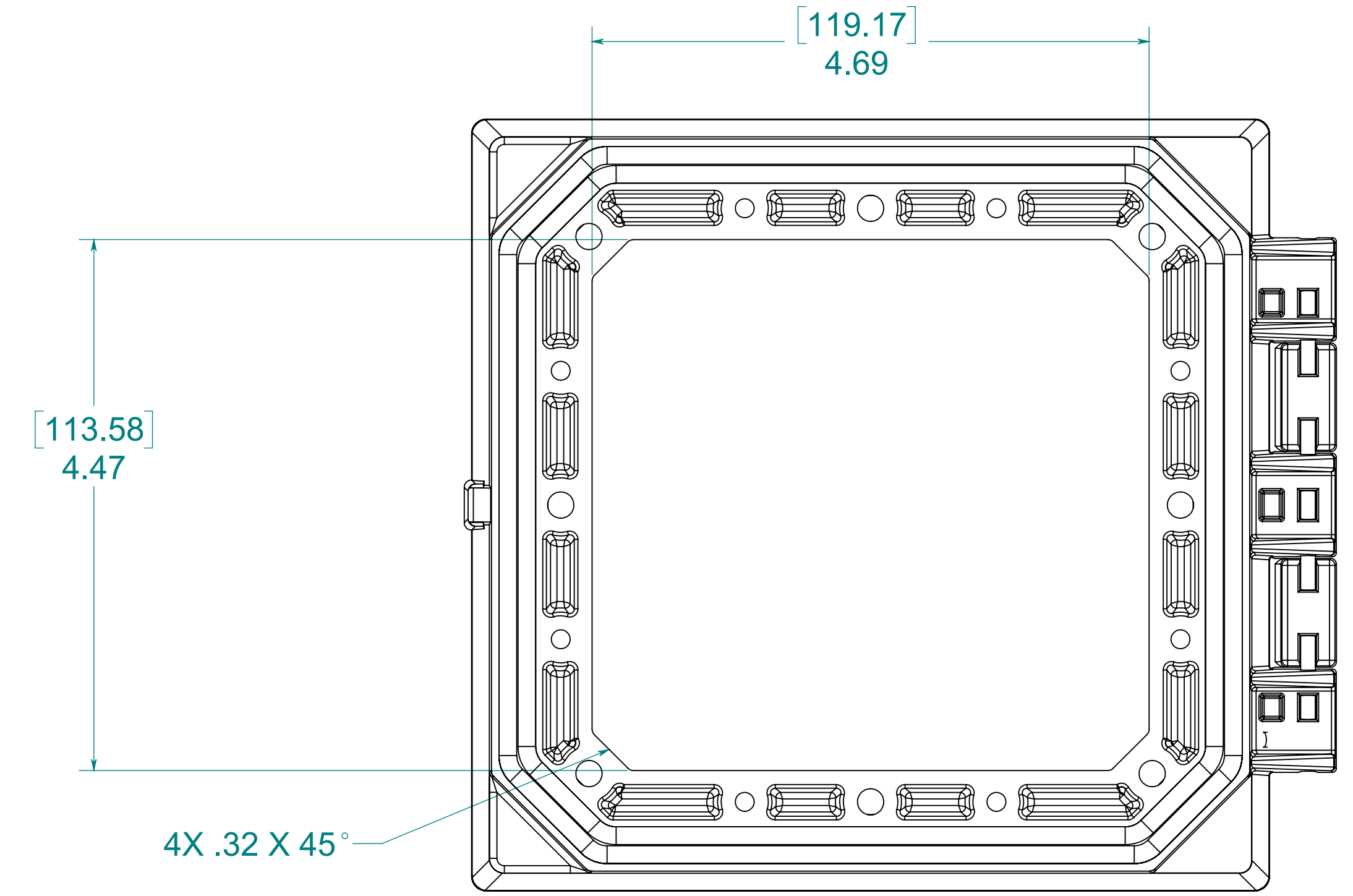
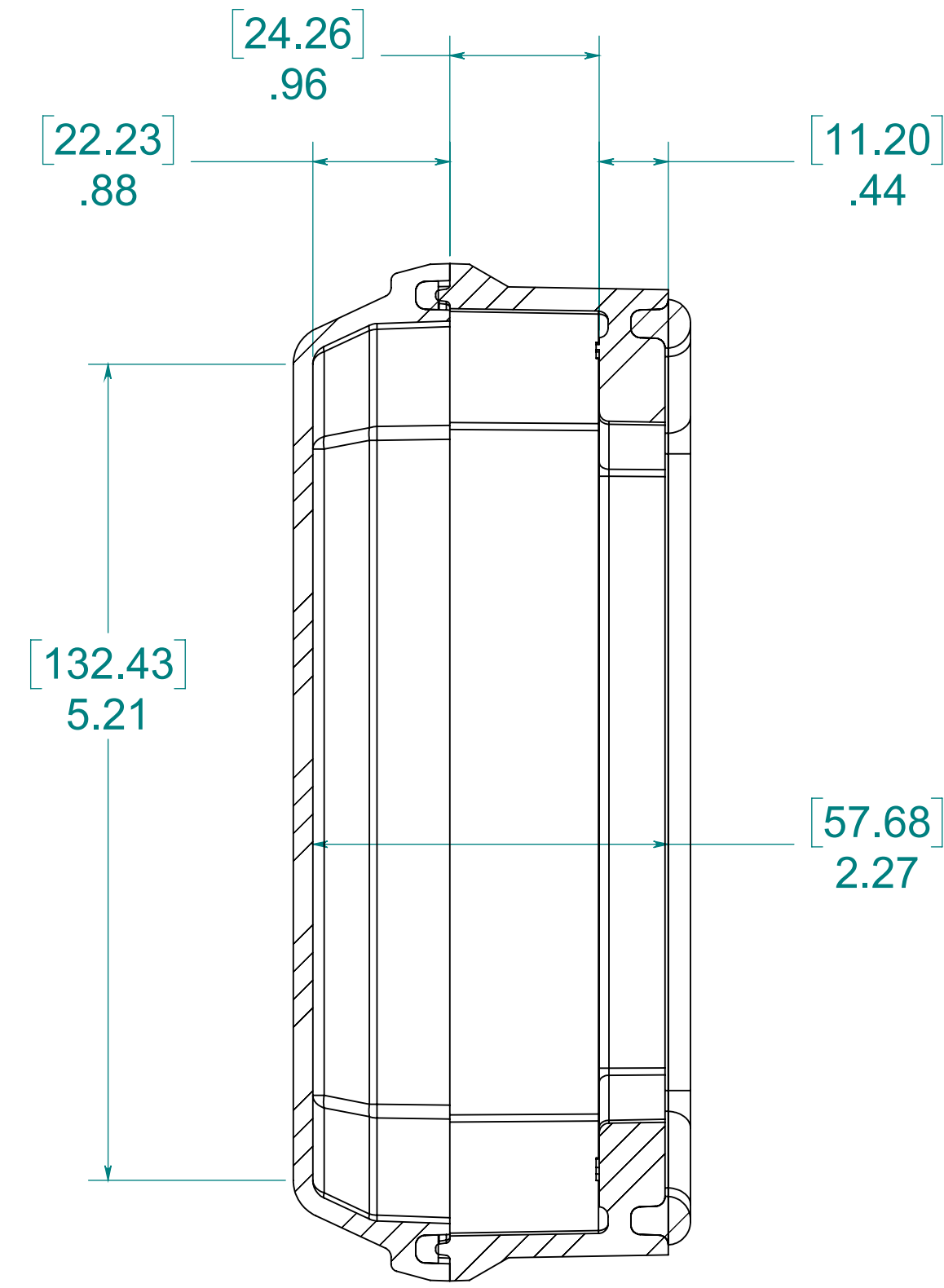
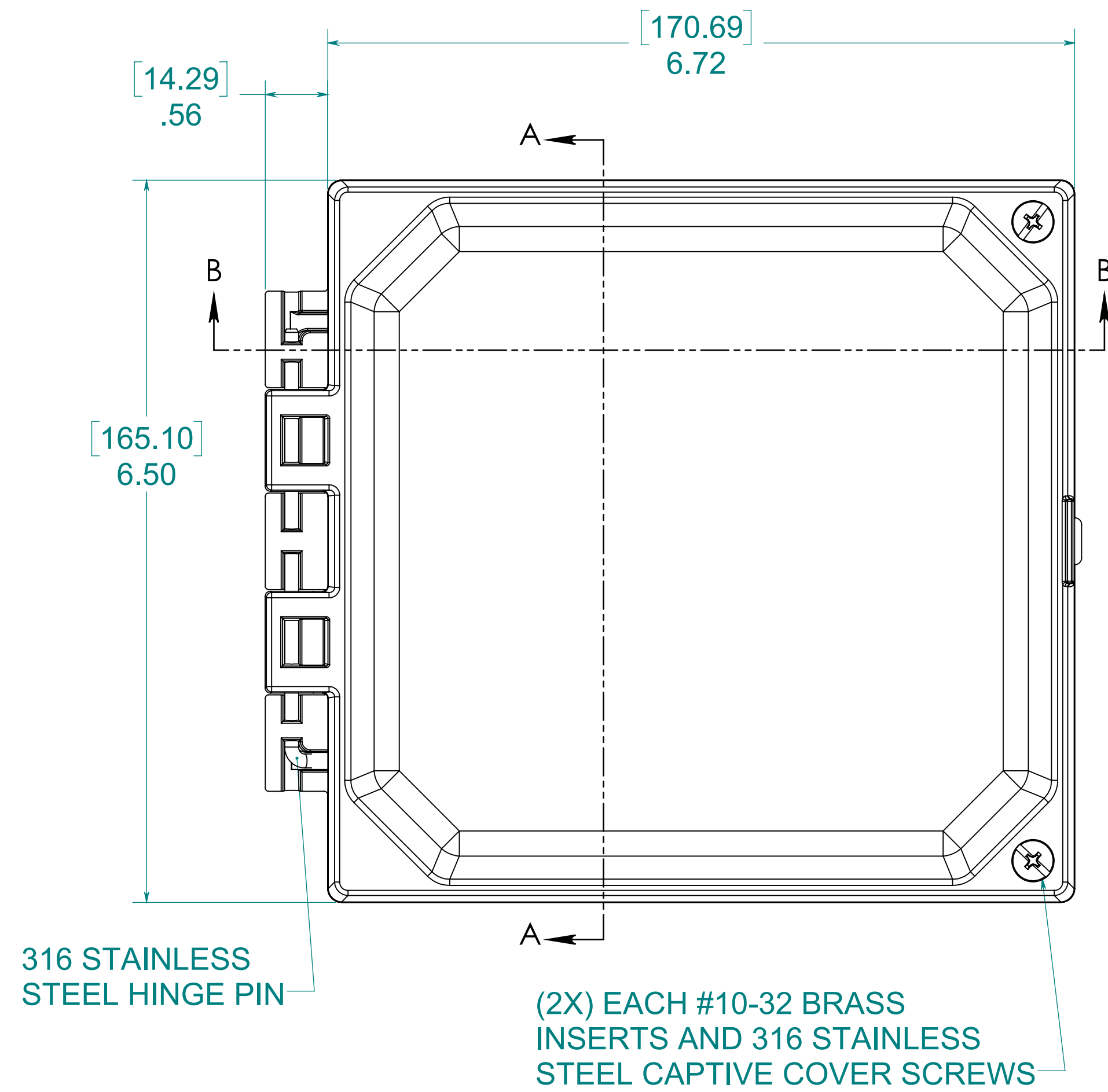
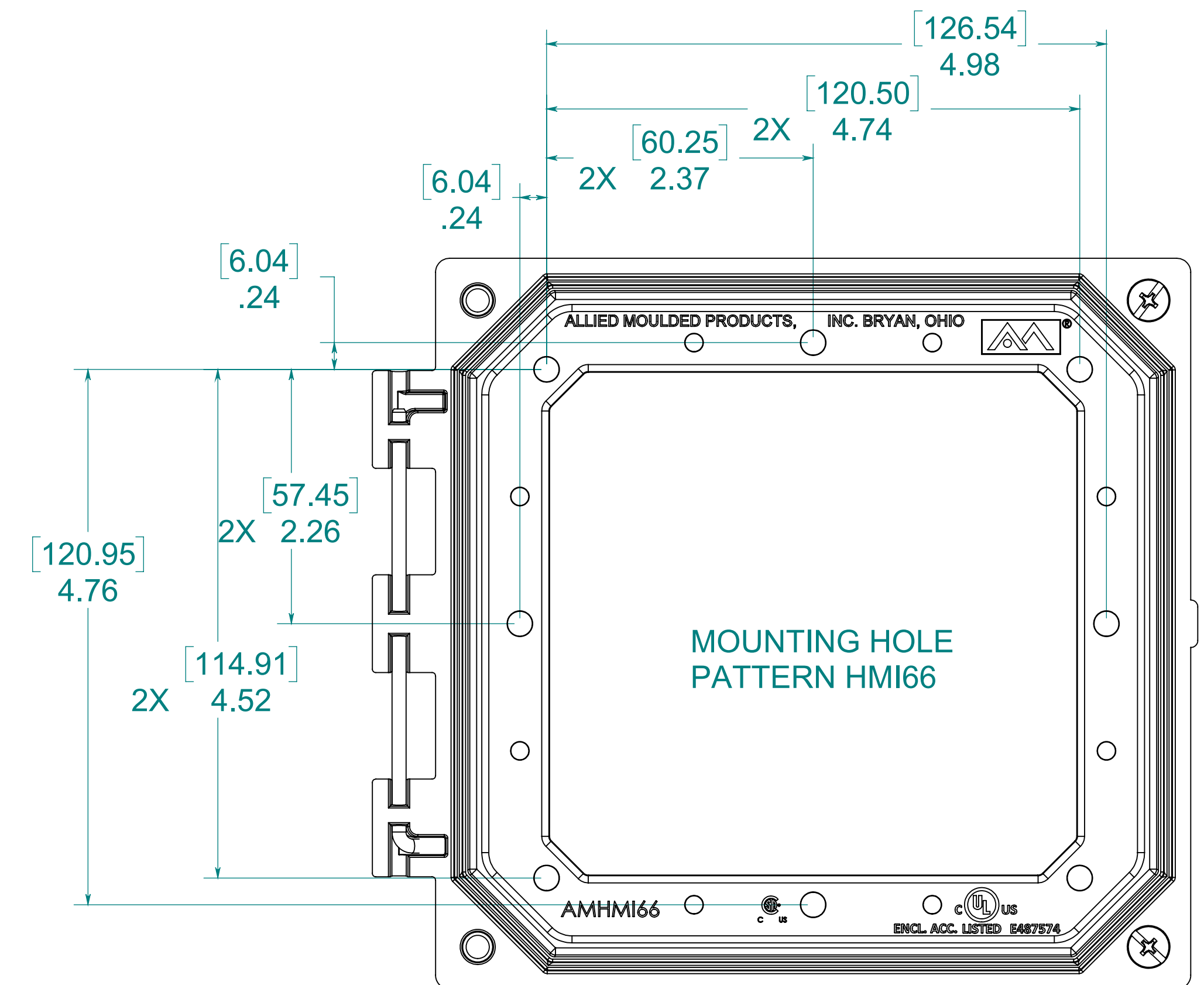
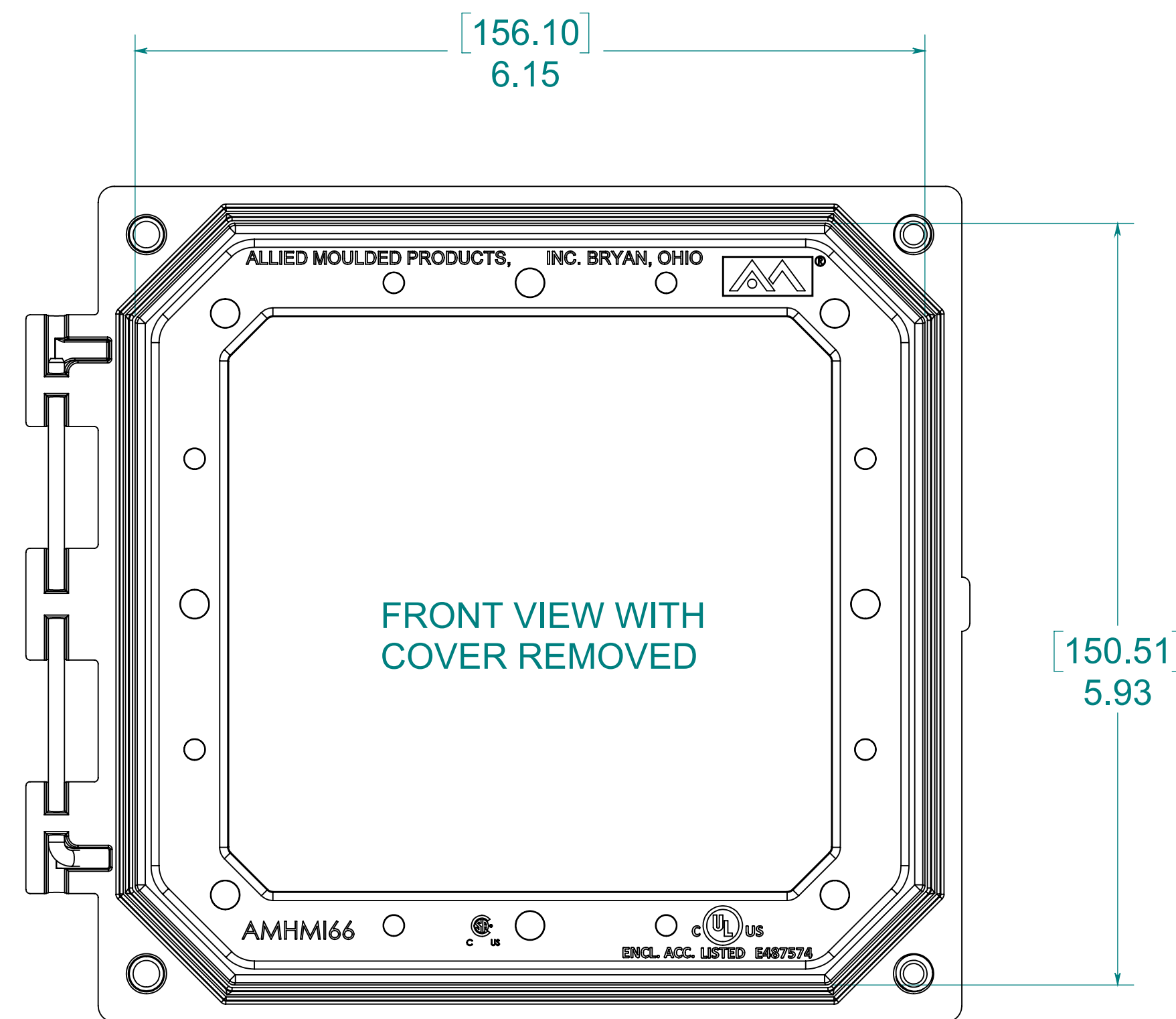
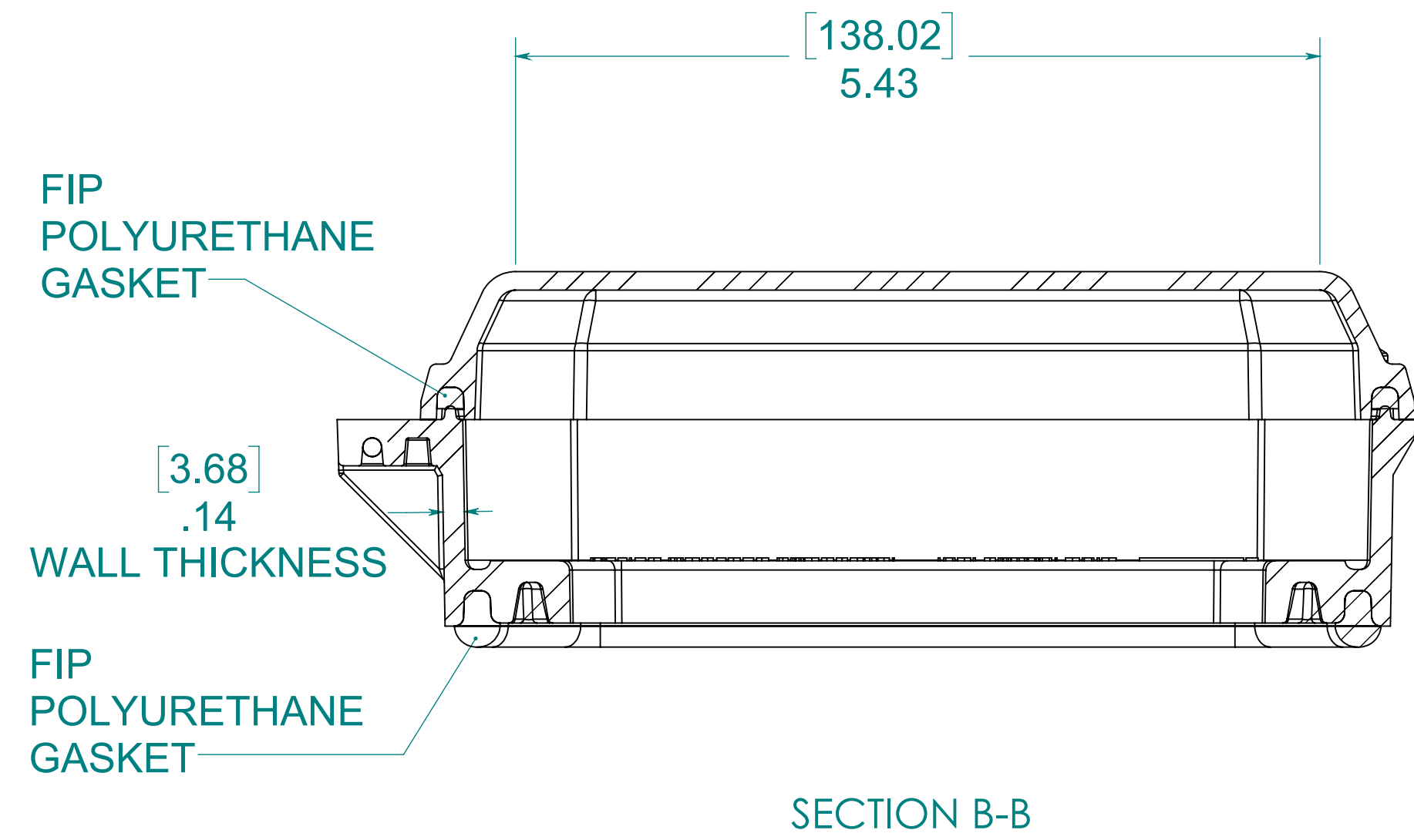


Date	Rev	Description	ECN No.	ISSUE DATE	DR	CK	REL
08/09/2019		INITIAL RELEASE	ECN-329		DJL	LJS	GEL
-	-	-	-	-	-	-	-
-	-	-	-	-	-	-	-



OPENING SIZE HMI66



MATERIAL:
 FRAME- INJECTED POLYCARBONATE
 STANDARD COVER- INJECTED POLYCARBONATE
 CLEAR COVER- INJECTED POLYCARBONATE

- NOTE:
 1. DATA SUBJECT TO CHANGE WITHOUT NOTICE
 2. WILL FIT ALLIED MOULDED ENCLOSURES SIZES 8X8 AND LARGER

CONFIDENTIAL
 THIS MATERIAL IS OWNED BY THE ALLIED MOULDED PRODUCTS COMPANY, IS DISCLOSED IN CONFIDENCE, AND IS NOT TO BE REPRODUCED OR DISTRIBUTED WITHOUT PRIOR WRITTEN PERMISSION FROM ALLIED MOULDED PRODUCTS.
 © 2018 Allied Moulded Products, Inc. All Rights Reserved

ALLIED MOULDED PRODUCTS
 BRYAN, OHIO
 The Original Fiber Glass Outlet Box

Description
 Access-Indus
 AMHMI66H