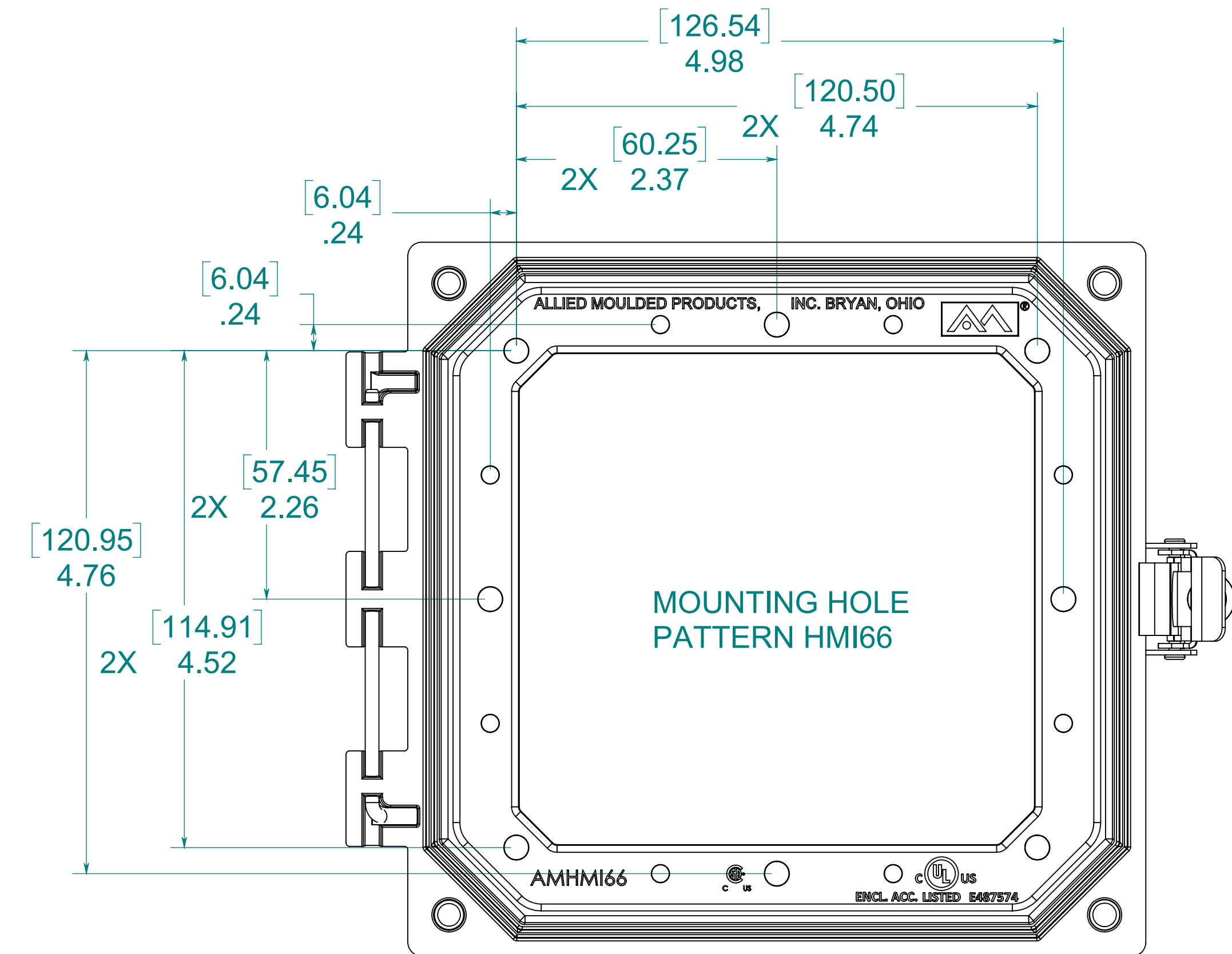
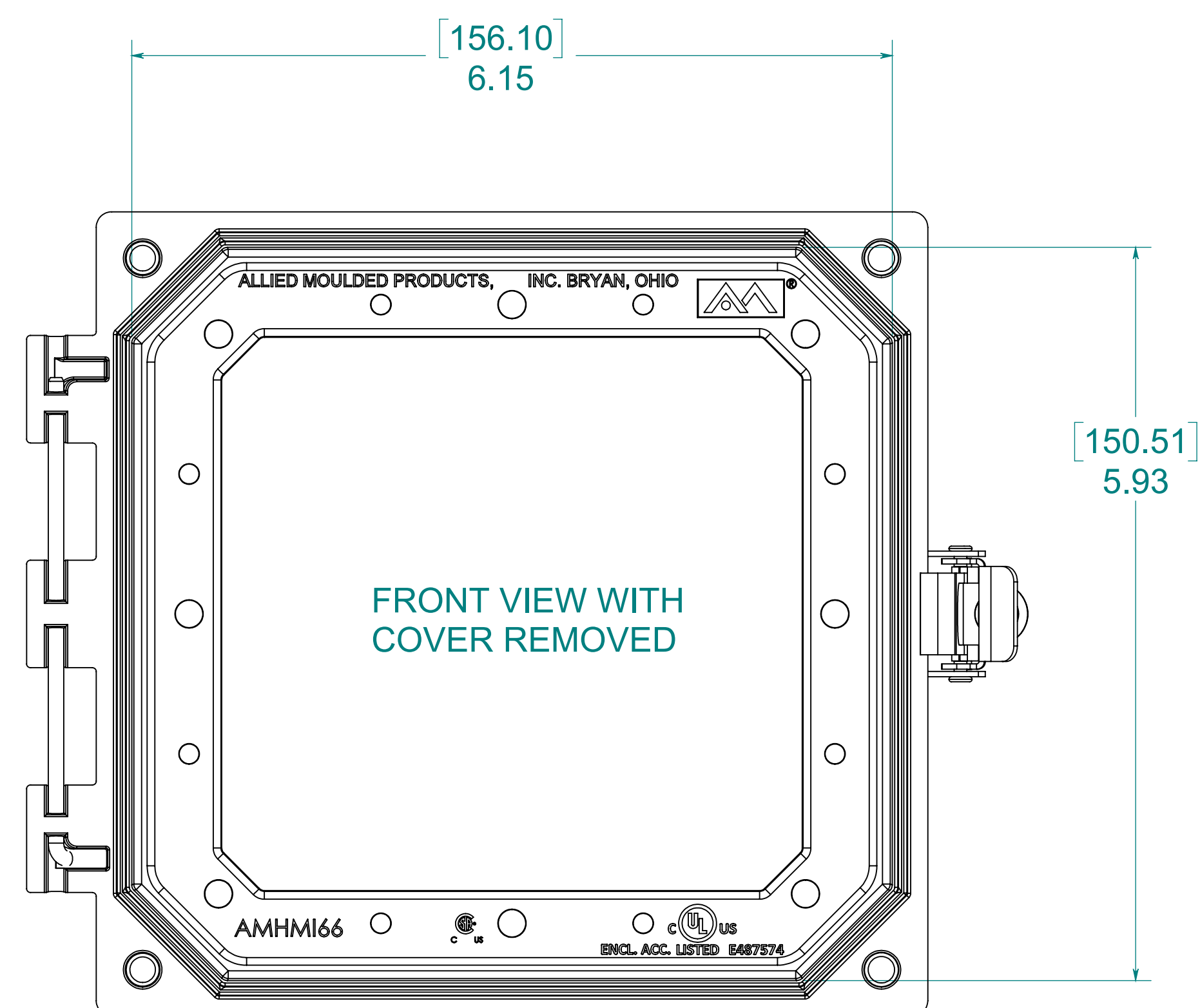
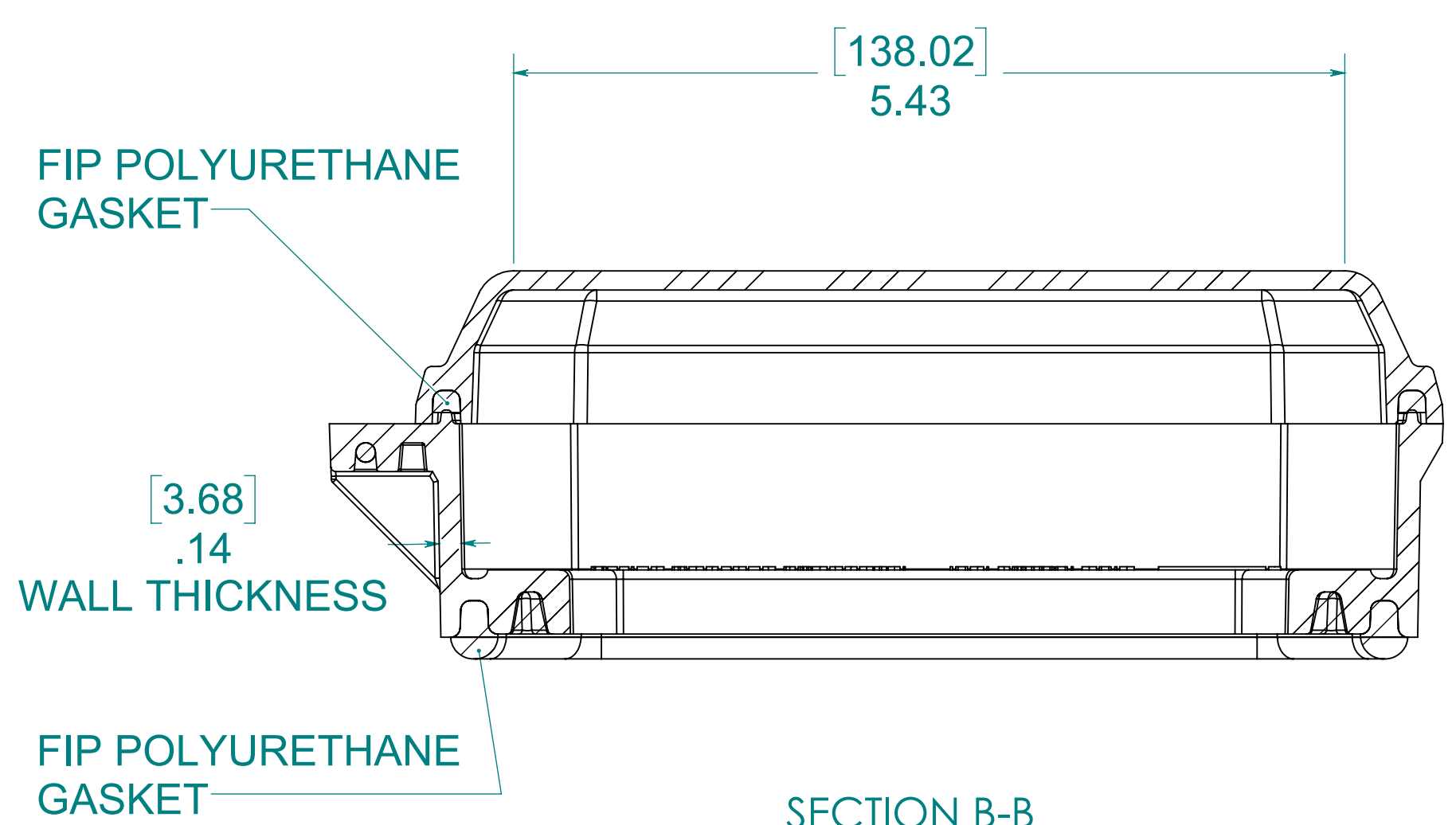
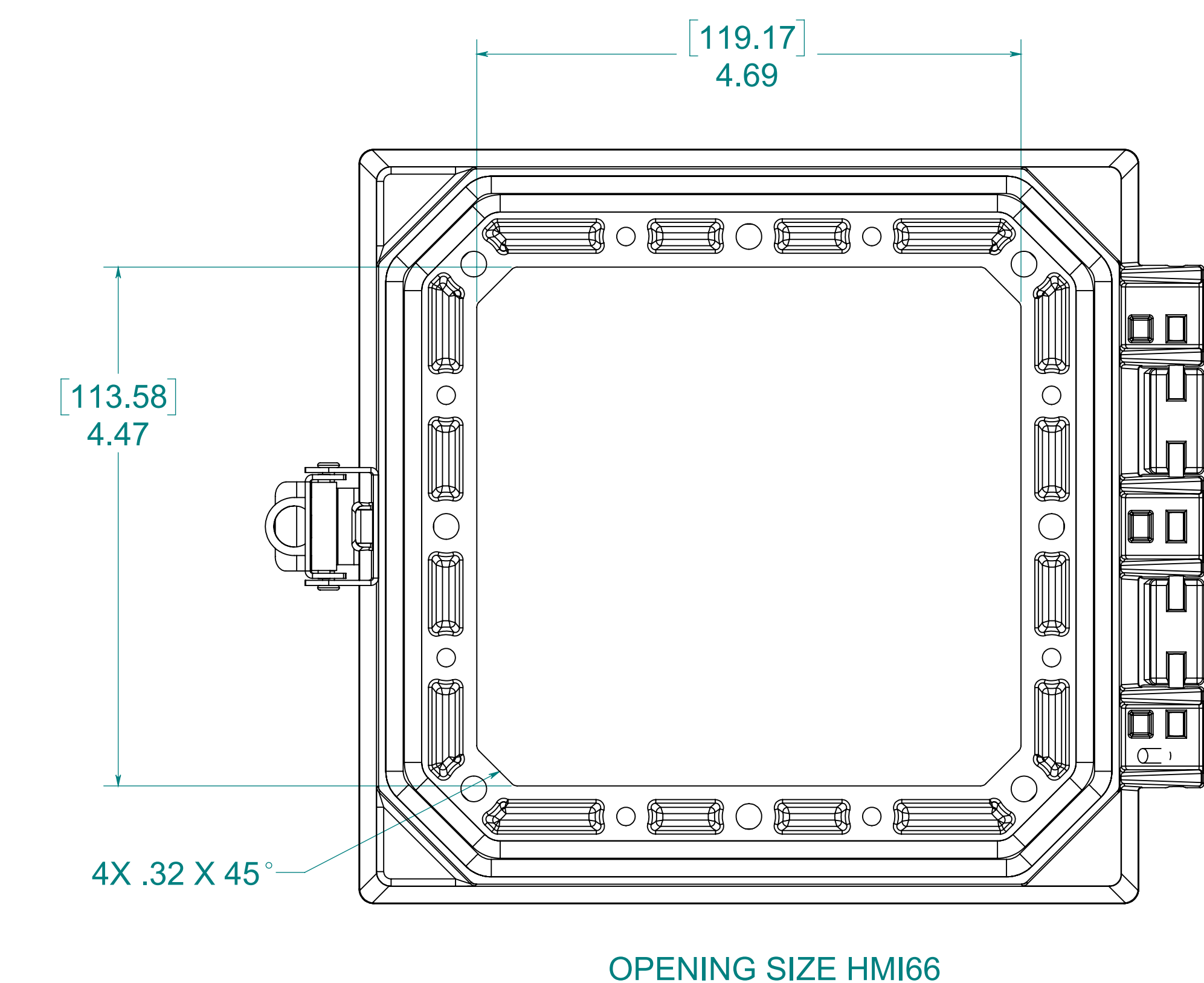
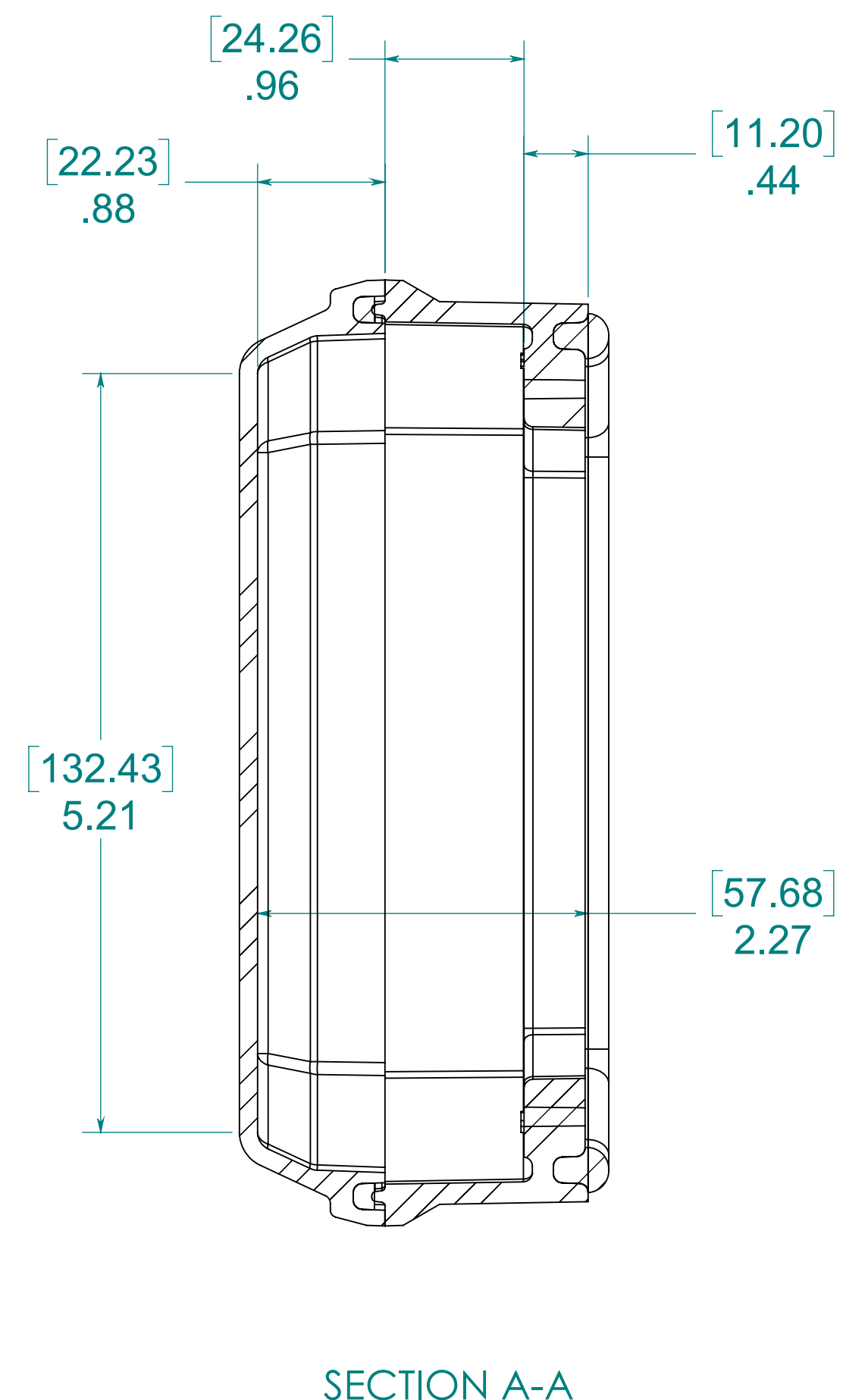
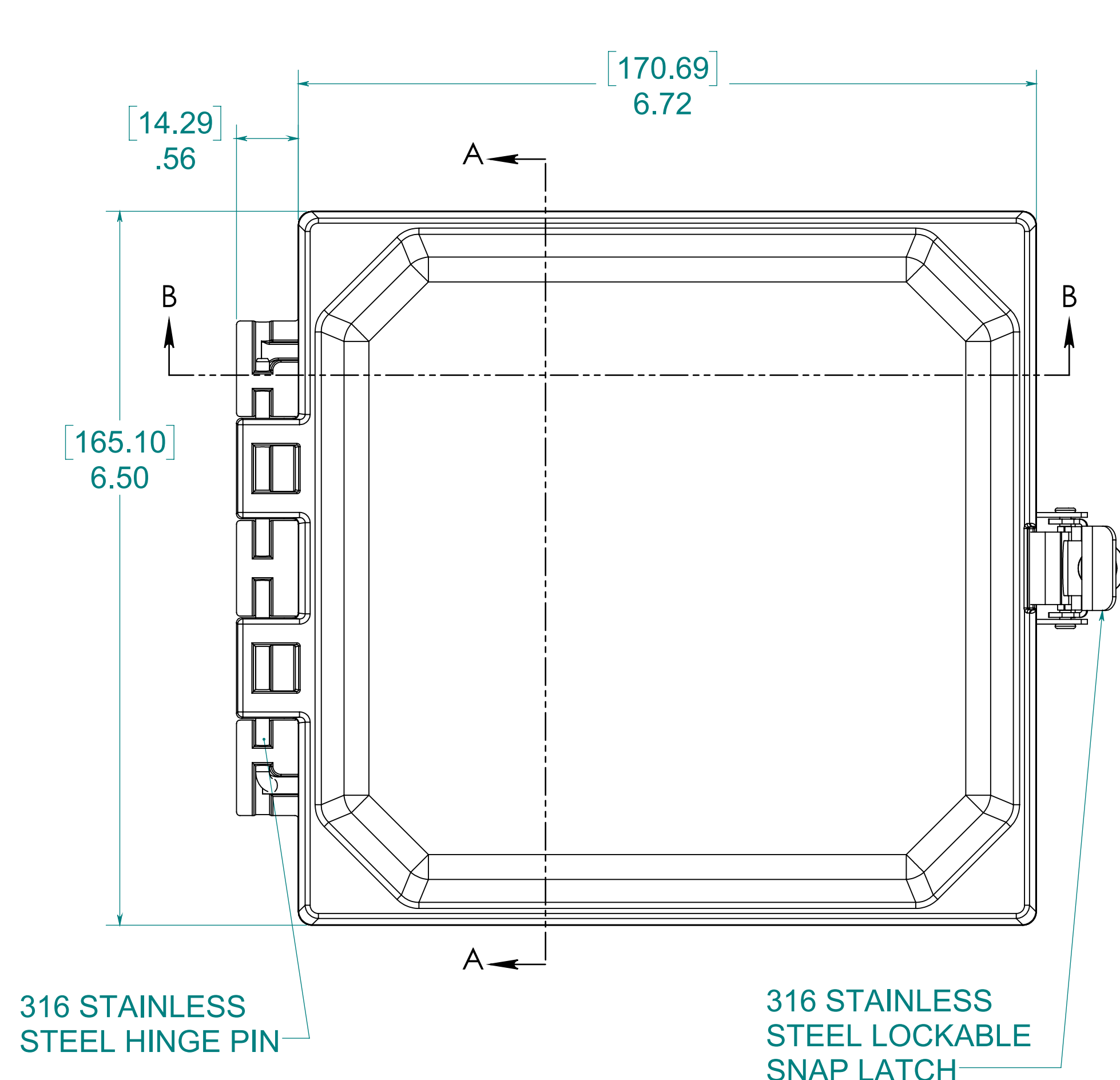


| Date       | Rev | Description     | ECN No. | ISSUE DATE | DR  | CK  | REL |
|------------|-----|-----------------|---------|------------|-----|-----|-----|
| 08/09/2019 |     | INITIAL RELEASE | ECN-329 |            | DJL | LJS | GEL |
| -          | -   | -               | -       | -          | -   | -   | -   |
| -          | -   | -               | -       | -          | -   | -   | -   |



MATERIAL:  
 FRAME- INJECTED POLYCARBONATE  
 STANDARD COVER- INJECTED POLYCARBONATE  
 CLEAR COVER- INJECTED POLYCARBONATE

NOTE:  
 1. DATA SUBJECT TO CHANGE WITHOUT NOTICE  
 2. WILL FIT ALLIED MOULDED ENCLOSURES SIZE 8X8 AND LARGER

ALLIED MOULDED PRODUCTS  
 BRYAN, OHIO  
 The Original Fiber Glass Outlet Box

Access-Indus  
 Part No.  
**AMHMI66CCL**

CONFIDENTIAL  
 THIS MATERIAL IS OWNED BY THE ALLIED MOULDED PRODUCTS COMPANY, IS DISCLOSED IN CONFIDENCE, AND IS NOT TO BE REPRODUCED OR DISTRIBUTED WITHOUT PRIOR WRITTEN PERMISSION FROM ALLIED MOULDED PRODUCTS.  
 © 2018 Allied Moulded Products, Inc. All Rights Reserved