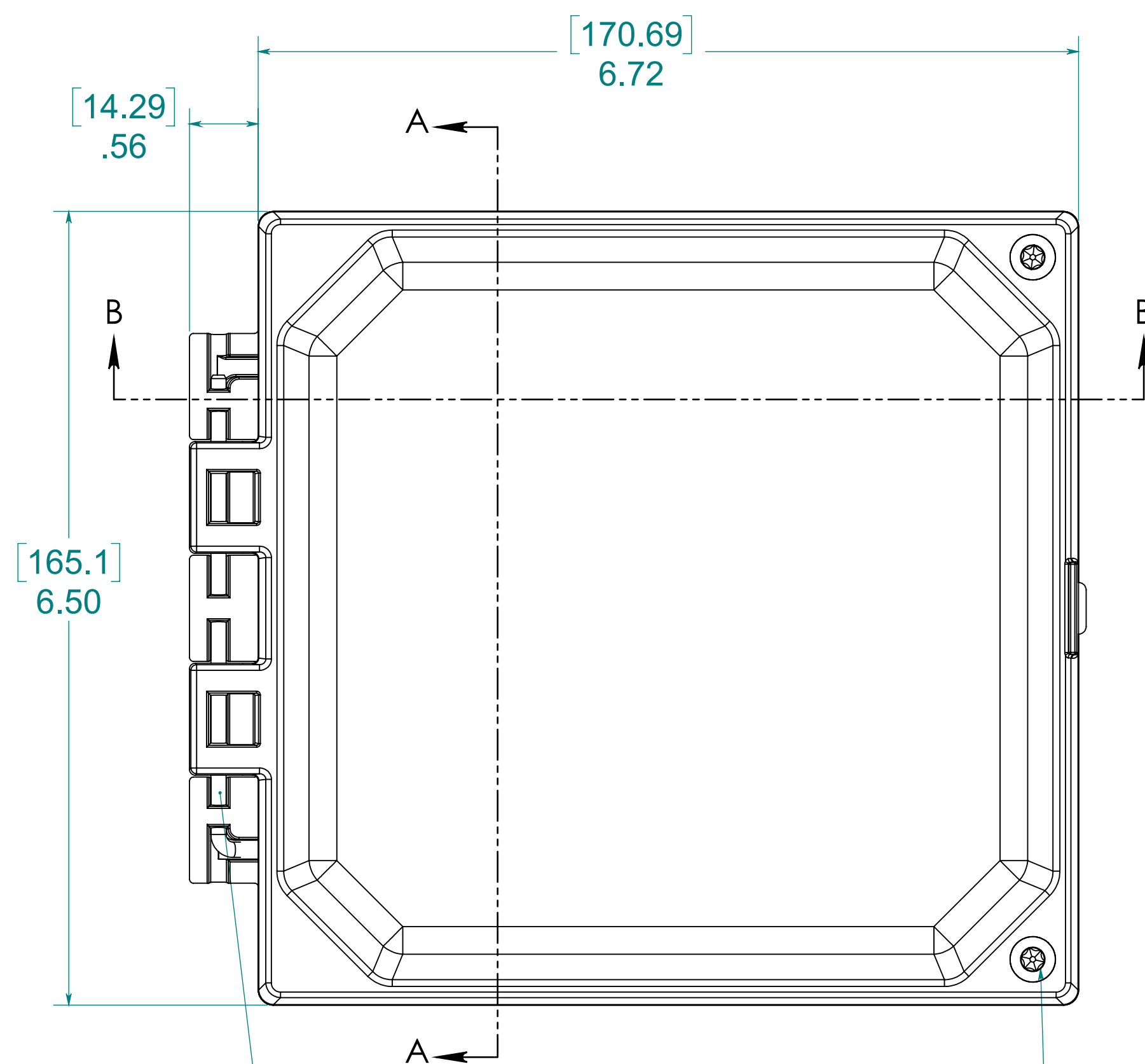
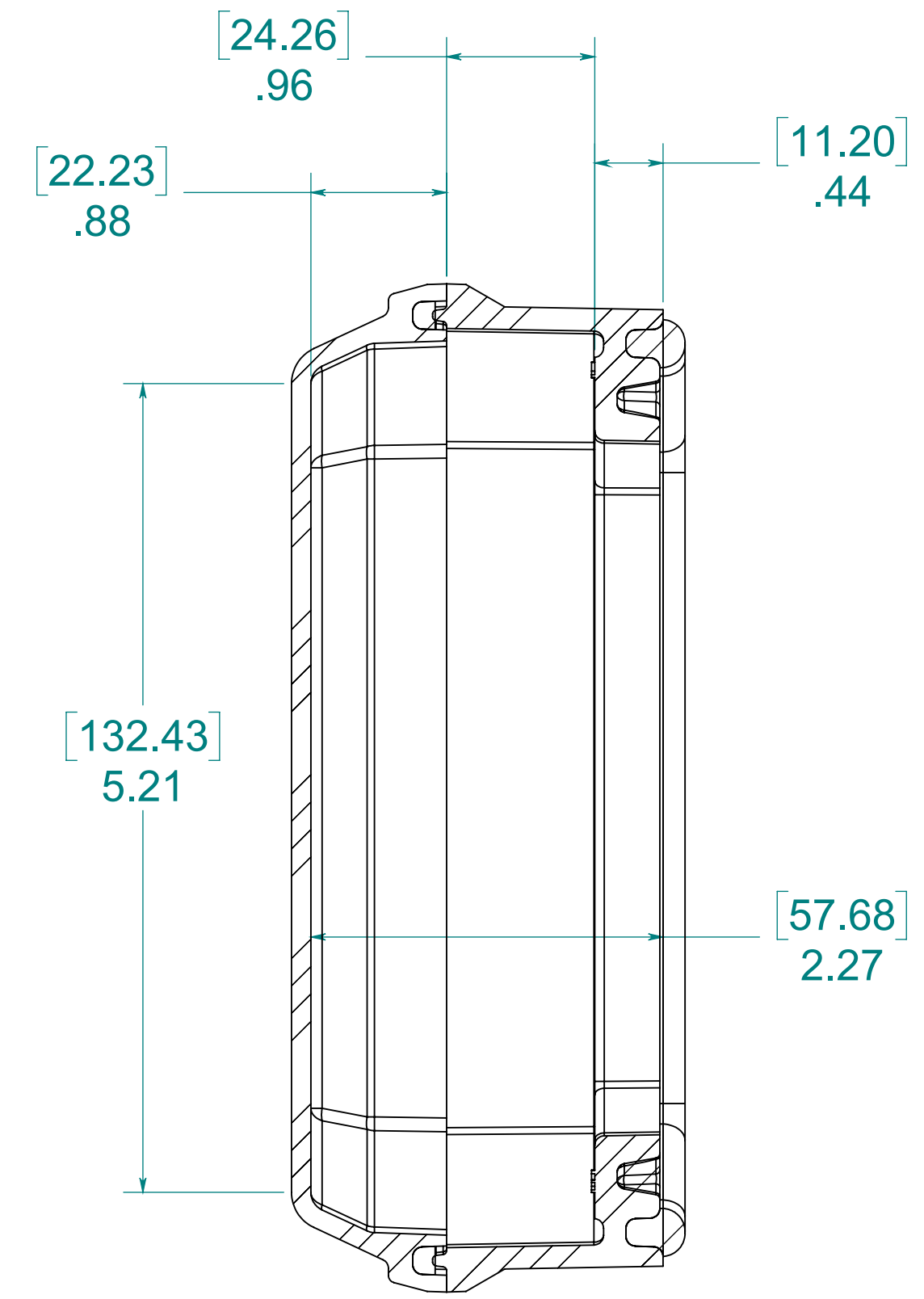


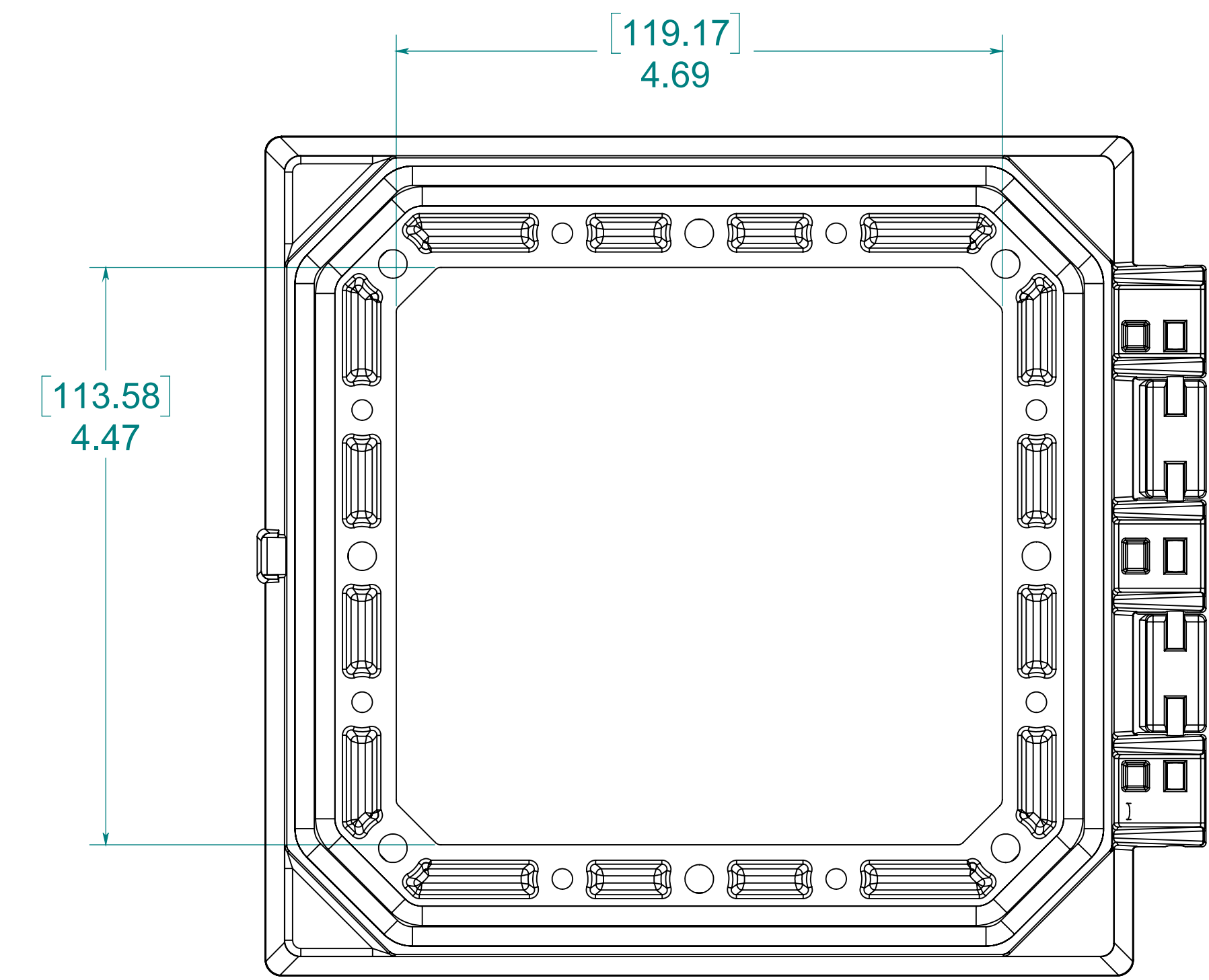
Date	Rev	Description	ECN No.	ISSUE DATE	DR	CK	REL
08/09/2019		INITIAL RELEASE	ECN-329		DJL	LJS	GEL
-	-	-	-	-	-	-	-
-	-	-	-	-	-	-	-



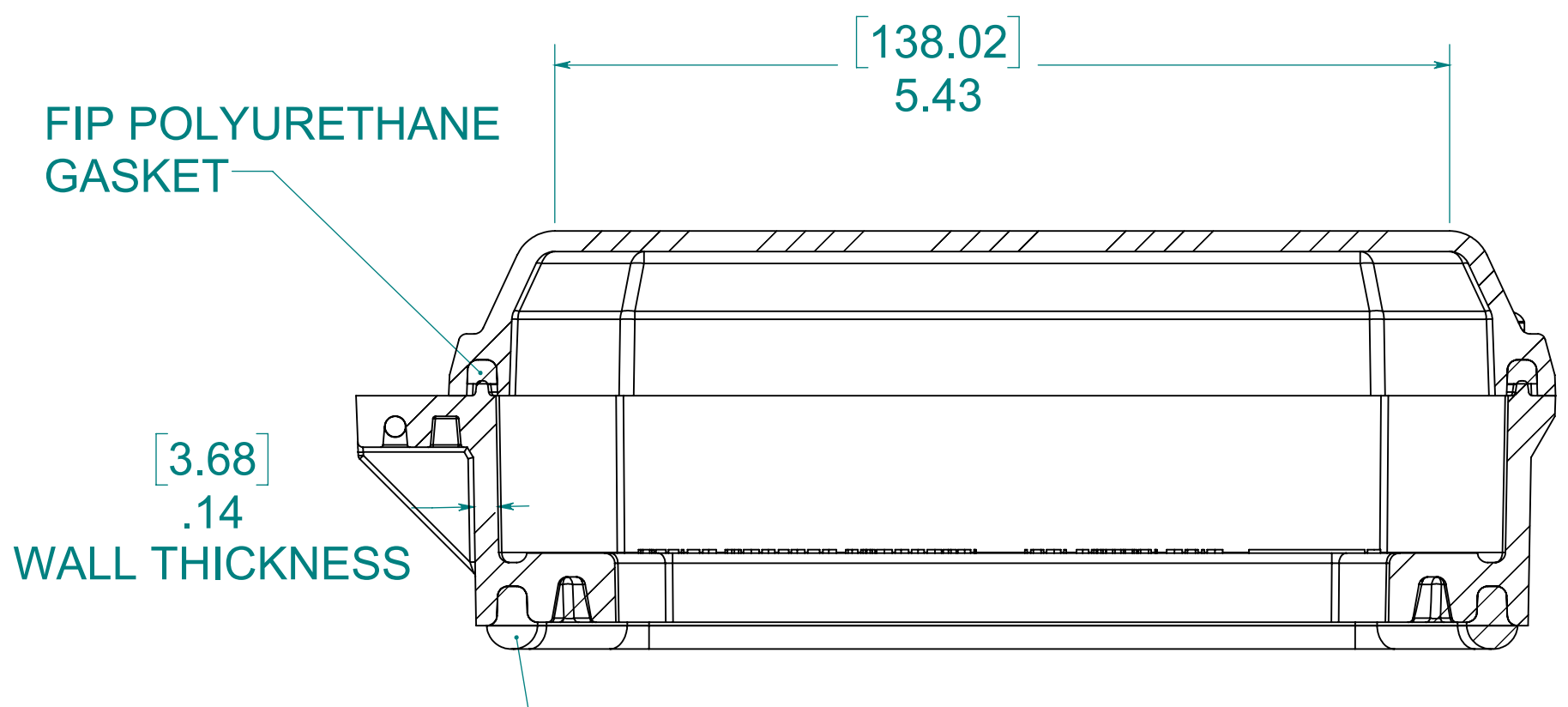
316 STAINLESS STEEL HINGE PIN
 (2X) EACH #10-32 BRASS INSERTS AND 316 STAINLESS STEEL CAPTIVE COVER SCREWS



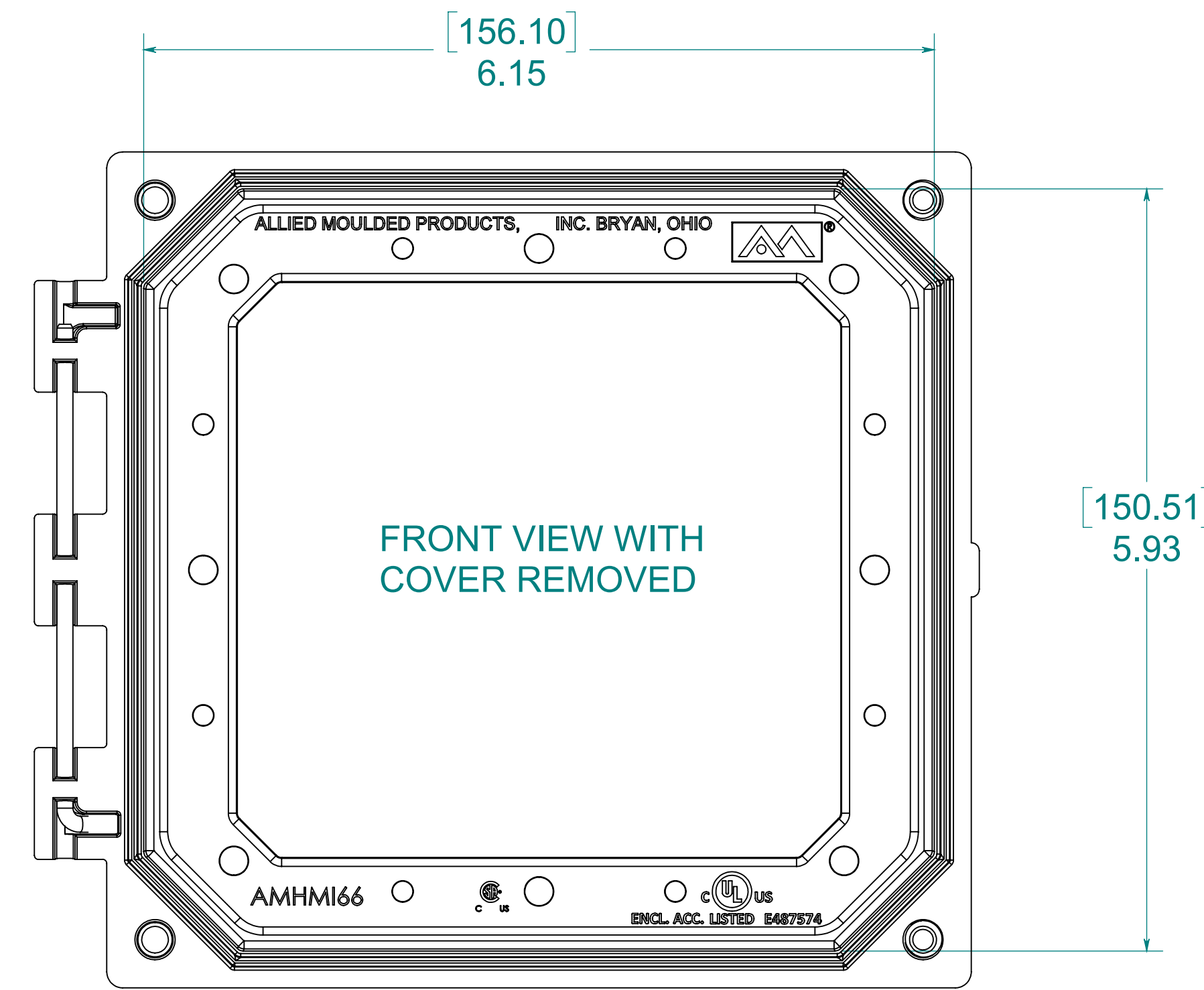
SECTION A-A



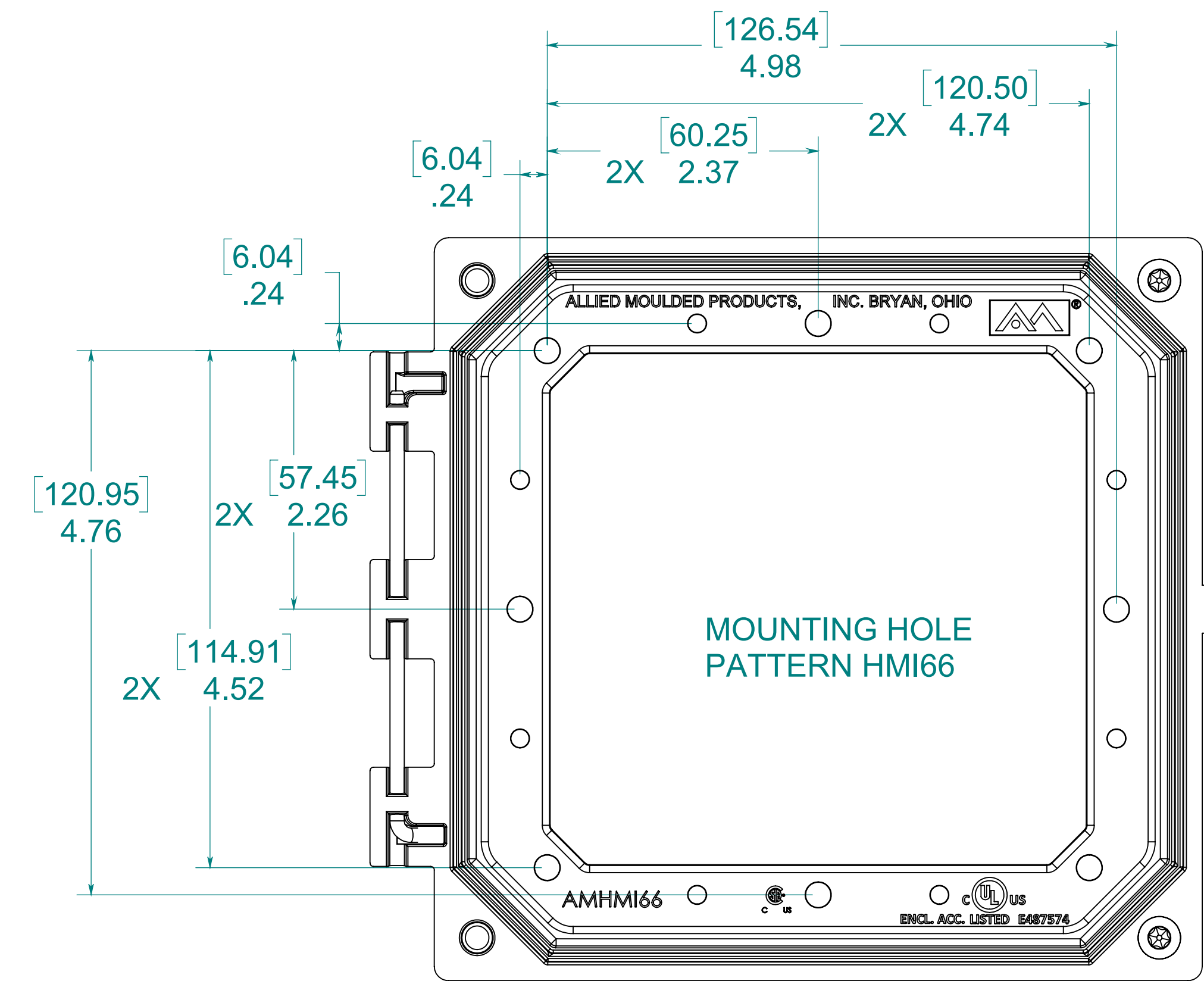
OPENING SIZE HMI66



SECTION B-B



FRONT VIEW WITH COVER REMOVED



MOUNTING HOLE PATTERN HMI66

MATERIAL:
 FRAME- INJECTED POLYCARBONATE
 STANDARD COVER- INJECTED POLYCARBONATE
 CLEAR COVER- INJECTED POLYCARBONATE

NOTE:
 1. DATA SUBJECT TO CHANGE WITHOUT NOTICE
 2. WILL FIT ALLIED MOULDED ENCLOSURE SIZE 8X8 AND LARGER

ALLIED MOULDED PRODUCTS, INC. BRYAN, OHIO
 The Original Fiber Glass Outlet Box

Access-Indus
 Part No. AMHMI66CCHTP

CONFIDENTIAL
 THIS MATERIAL IS OWNED BY THE ALLIED MOULDED PRODUCTS COMPANY, IS DISCLOSED IN CONFIDENCE, AND IS NOT TO BE REPRODUCED OR DISTRIBUTED WITHOUT PRIOR WRITTEN PERMISSION FROM ALLIED MOULDED PRODUCTS.
 © 2018 Allied Moulded Products, Inc. All Rights Reserved