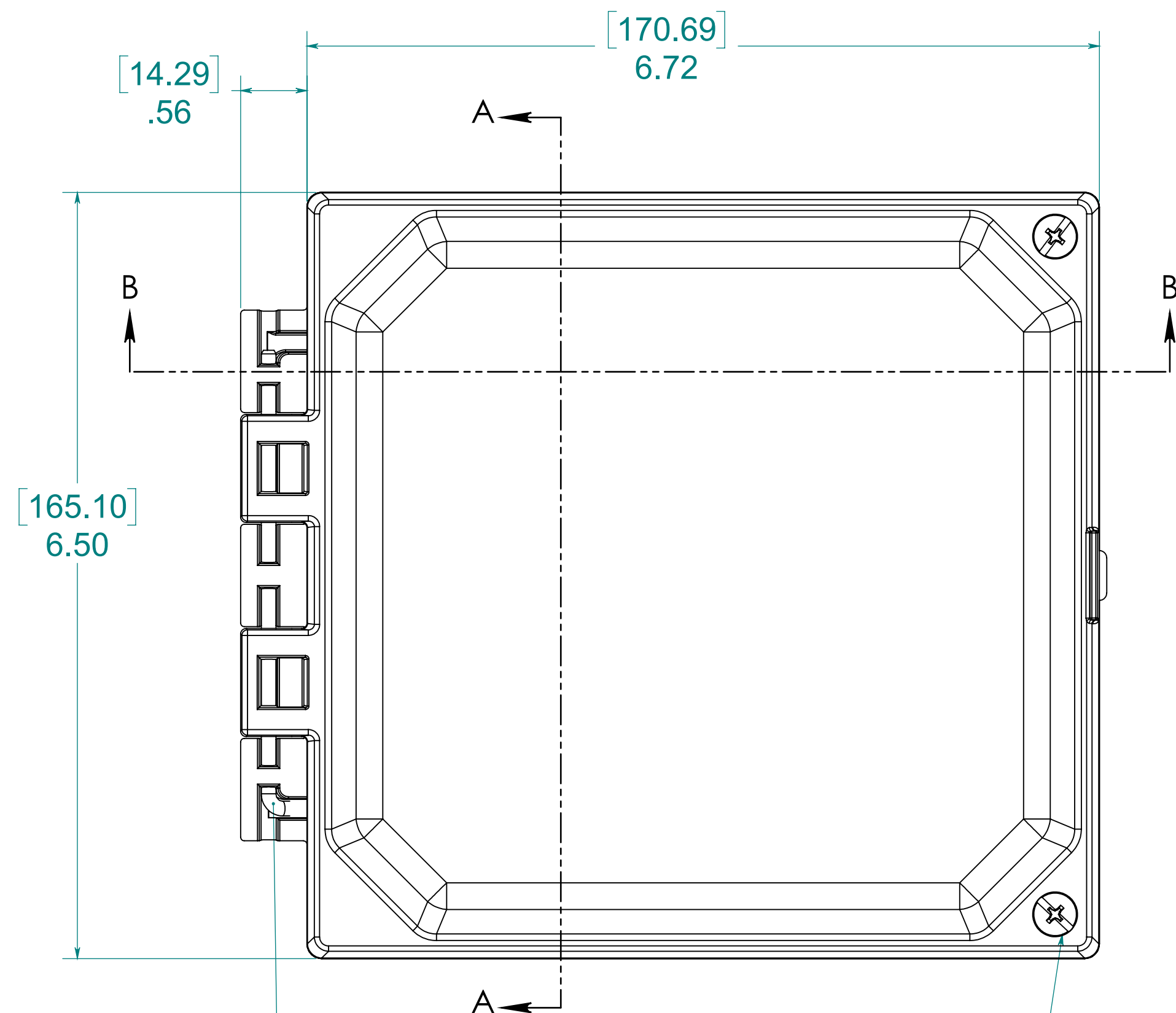
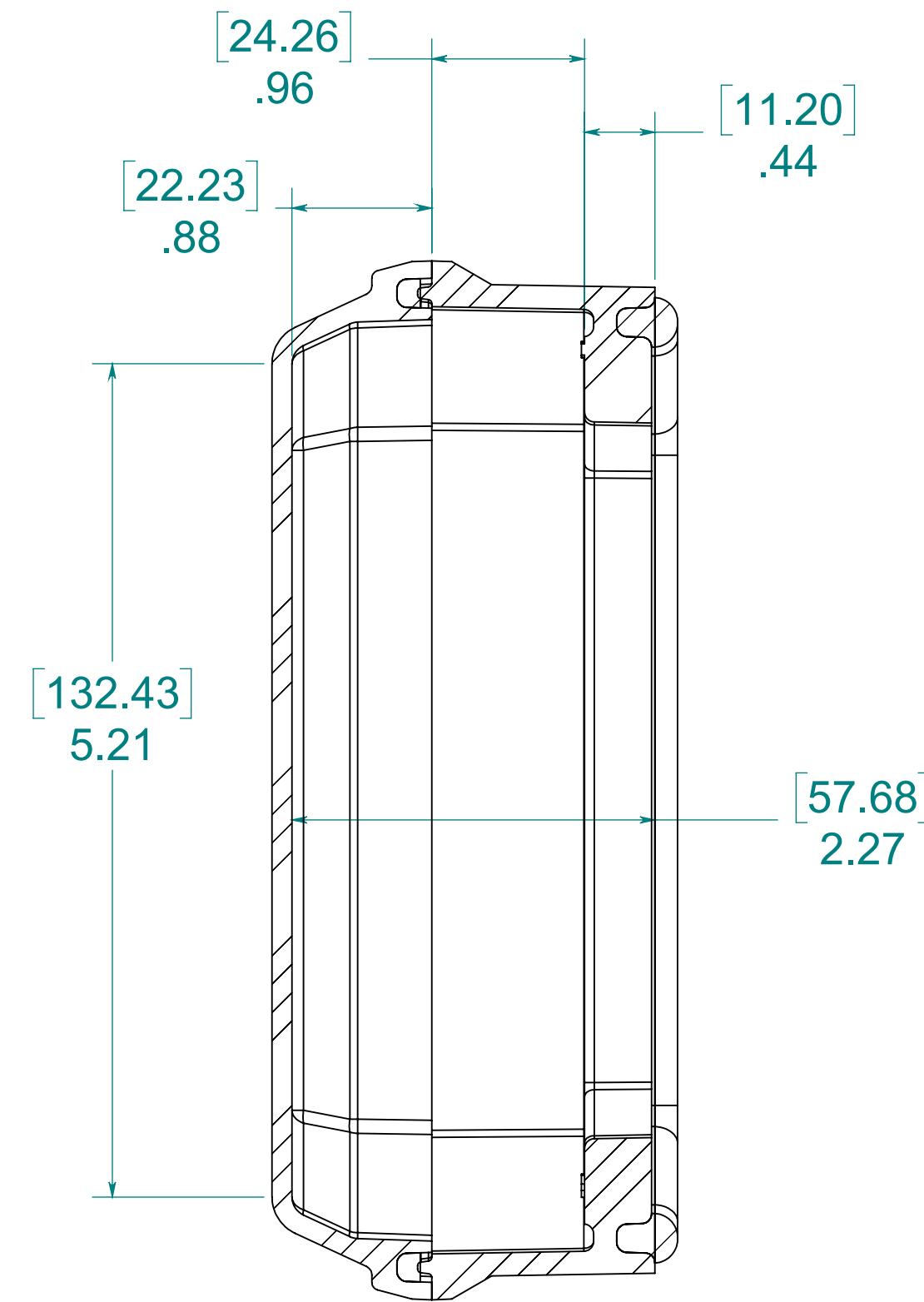


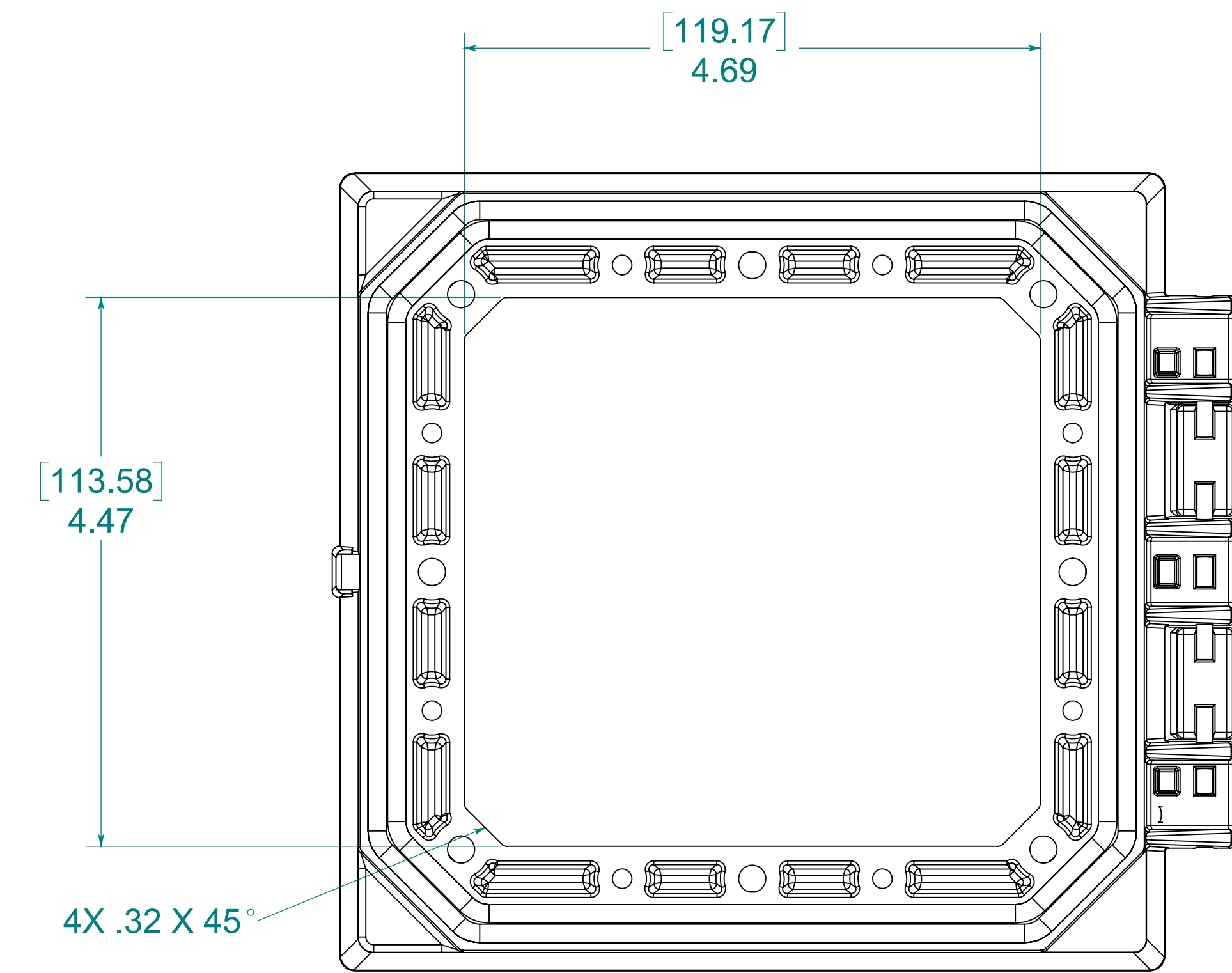
Date	Rev	Description	ECN No.	ISSUE DATE	DR	CK	REL
08/09/2019		INITIAL RELEASE	ECN-329		DJL	LJS	GEL
-	-	-	-	-	-	-	-
-	-	-	-	-	-	-	-



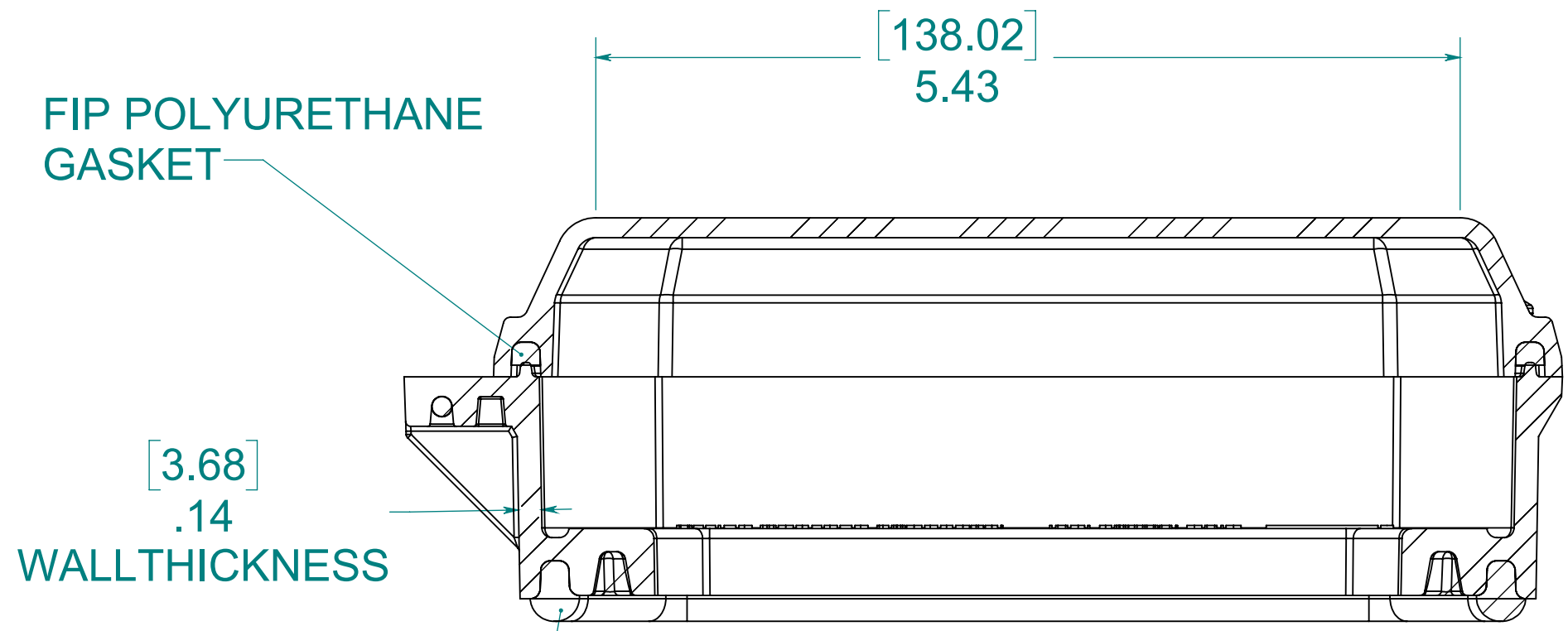
316 STAINLESS STEEL HINGE PIN  
 (2X) EACH #10-32 BRASS INSERTS AND 316 STAINLESS STEEL CAPTIVE COVER SCERWS



SECTION A-A

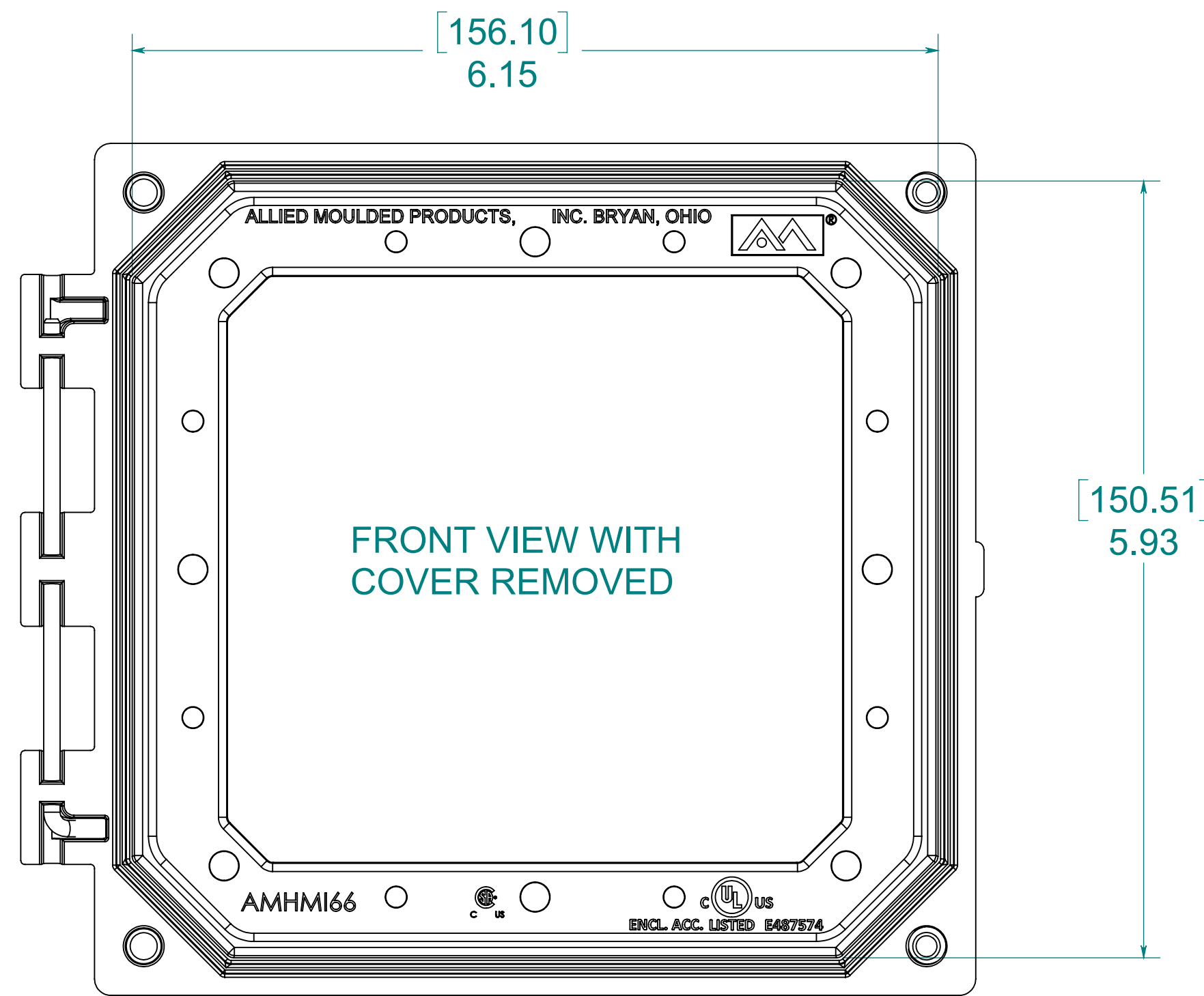


OPENING SIZE HMI66

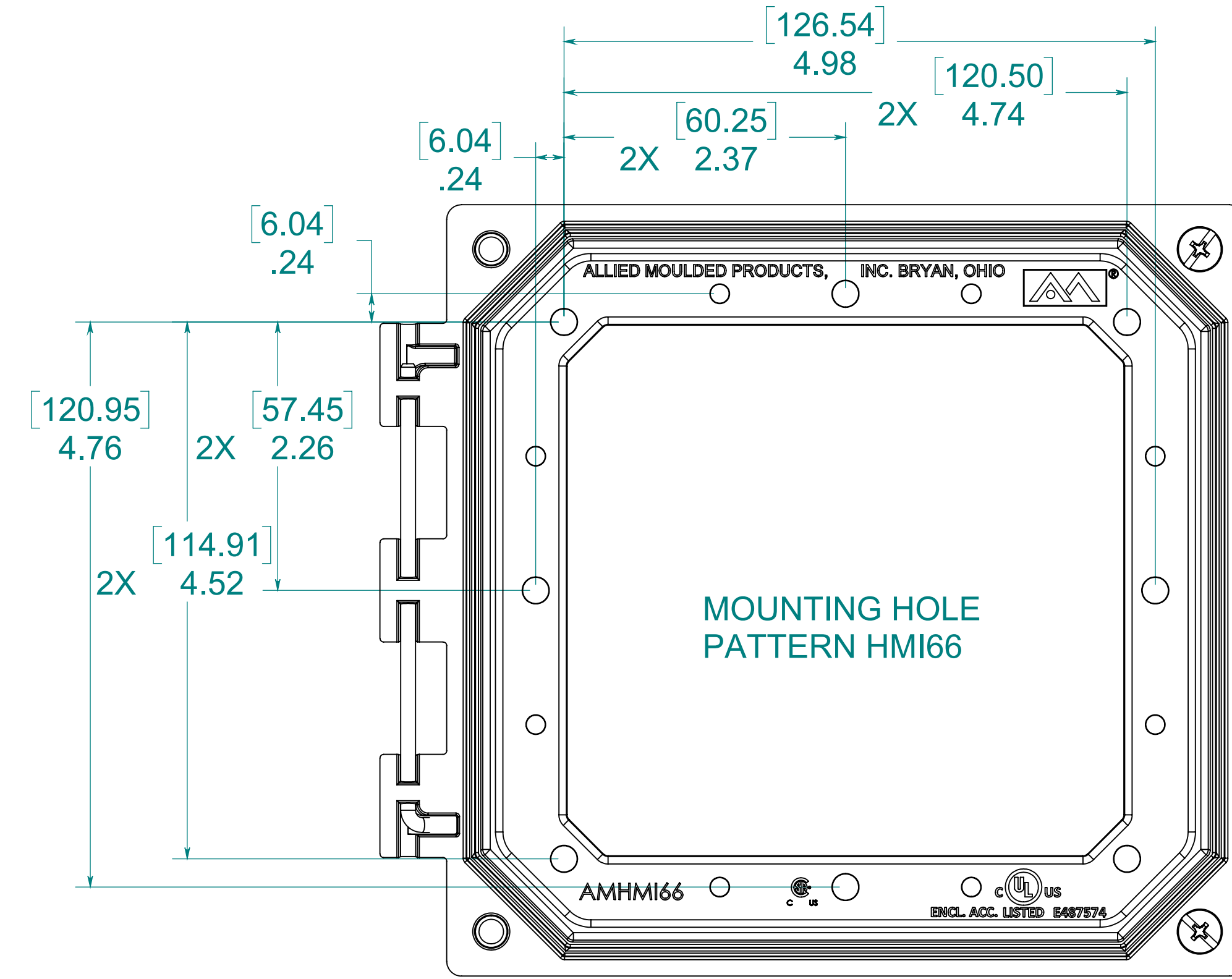


SECTION B-B

FIP POLYURETHANE GASKET  
 FIP POLYURETHANE GASKET



FRONT VIEW WITH COVER REMOVED



MOUNTING HOLE PATTERN HMI66

MATERIAL:  
 FRAME- INJECTED POLYCARBONATE  
 STANDARD COVER- INJECTED POLYCARBONATE  
 CLEAR COVER- INJECTED POLYCARBONATE

NOTE:  
 1. DATA SUBJECT TO CHANGE WITHOUT NOTICE  
 2. WILL FIT ALLIED MOULDED ENCLOSURES SIZES 8X8 AND LARGER

**ALLIED MOULDED PRODUCTS**  
 BRYAN, OHIO  
 The Original Fiber Glass Outlet Box

Access-Indus  
 AMHMI66CCH

© 2018 Allied Moulded Products, Inc.  
 All Rights Reserved