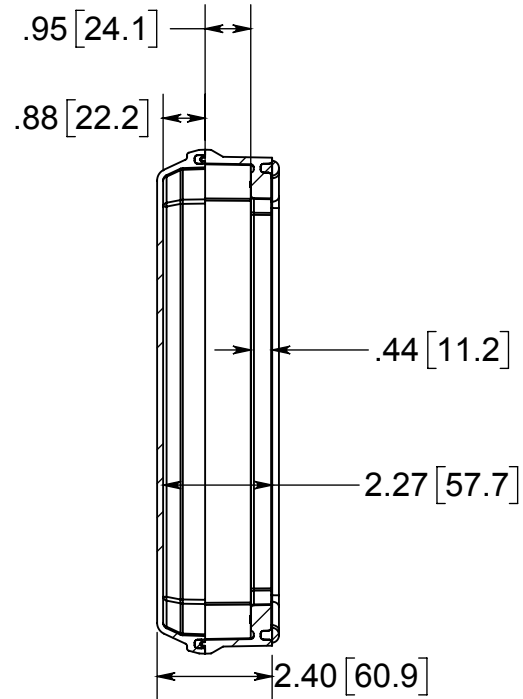
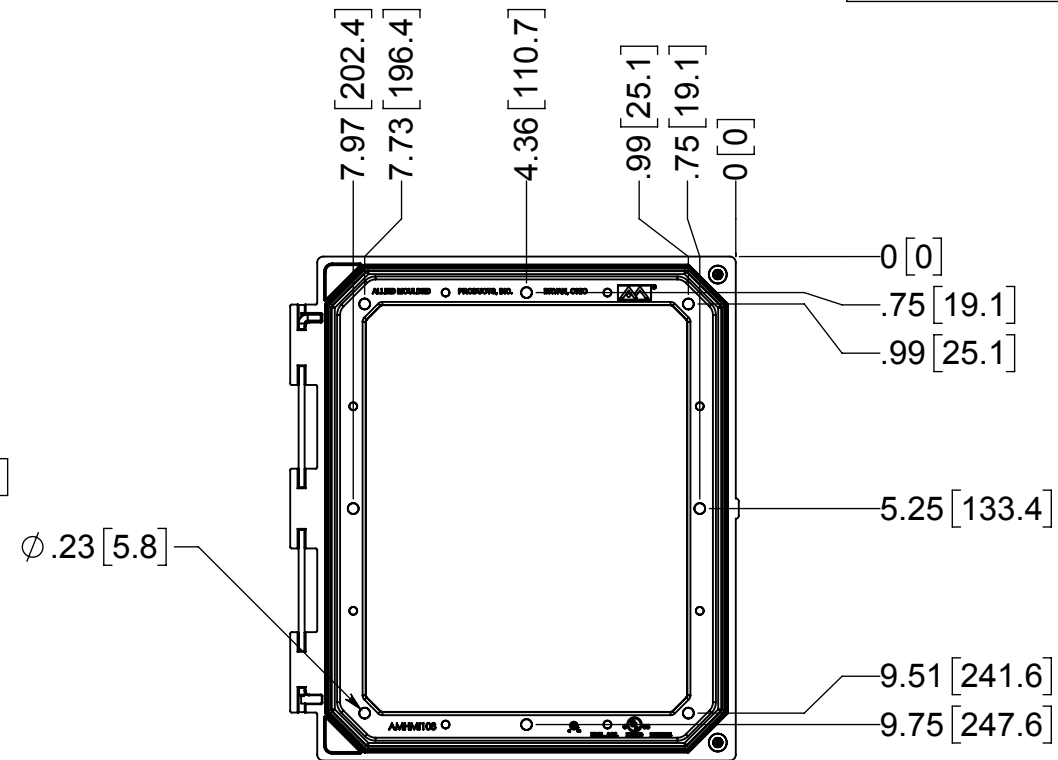


316 STAINLESS STEEL HINGE PIN

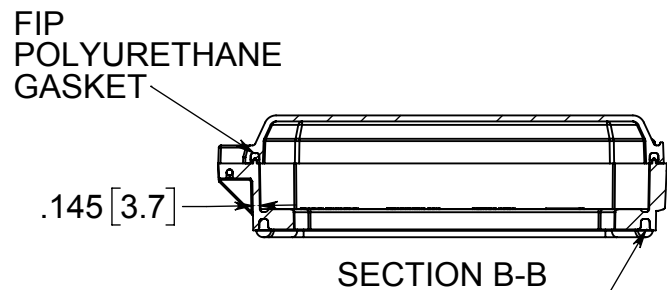
(2) EACH #10-32 BRASS INSERTS, AND 316 STAINLESS STEEL CAPTIVE TAMPER PROOF SCREWS WITH O-RINGS



SECTION A-A



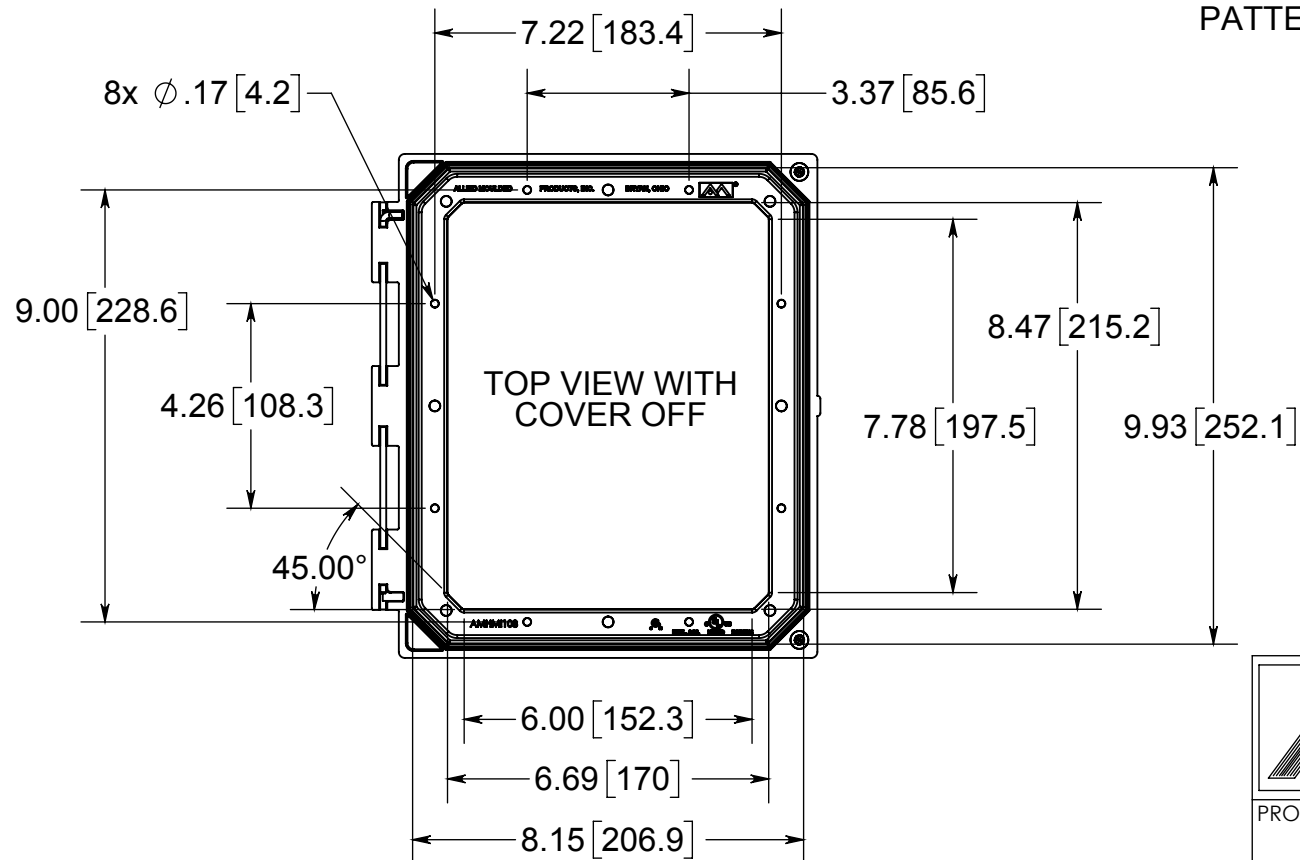
MOUNTING HOLE PATTERN HMI108



SECTION B-B

FIP POLYURETHANE GASKET

FIP POLYURETHANE GASKET



TOP VIEW WITH COVER OFF

MATERIAL:
 BOX- INJECTION POLYCARBONATE
 STANDARD COVER- INJECTION POLYCARBONATE
 CLEAR COVER-INJECTION POLYCARBONATE

NOTE:
 1. DATA SUBJECT TO CHANGE
 2. WILL FIT ALLIED MOULDED ENCLOSURE SIZES 12X10 AND LARGER

CONFIDENTIAL
 THIS MATERIAL IS OWNED BY THE ALLIED MOULDED PRODUCTS COMPANY, IS DISCLOSED IN CONFIDENCE, AND IS NOT TO BE REPRODUCED OR DISTRIBUTED WITHOUT PRIOR WRITTEN PERMISSION FROM ALLIED MOULDED PRODUCTS.



PRODUCT SERIES

Access-Indus

Part No.

- **AMHMI108CCHTP**