

# AMHD-R Series

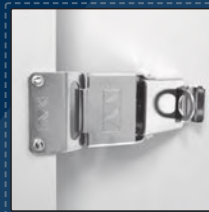
HEAVY DUTY  
SOLAR BATTERY BOX

## Cover Type

Raised Solid/Opaque

## Closure Type

Snap Latch Hinged Cover



## Application

Designed to insulate and house solar storage batteries for various telemetry applications in outdoor locations

- Especially well suited for high temperature or corrosive environments
- Protects from dirt, dust, oil and water

## Standards

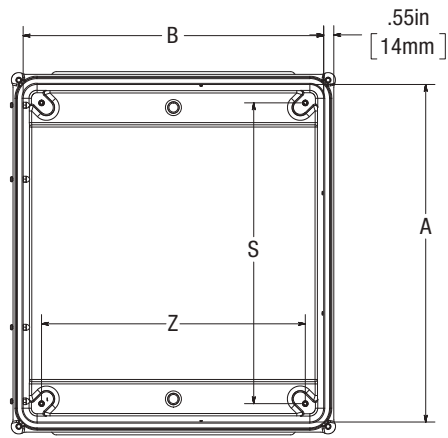
- UL 50 and UL 50E Types 1, 2, 3, 3R, 4, 4X, 12 and 13
- CSA C22.2 No. 94 Types 1, 2, 3, 3R, 4, 4X, 12 and 13
- Complies with:
  - NEMA Types 1, 2, 3, 3R, 4, 4X, 12 and 13
  - IEC 60529 Type IP66
  - RoHS directive

## Construction

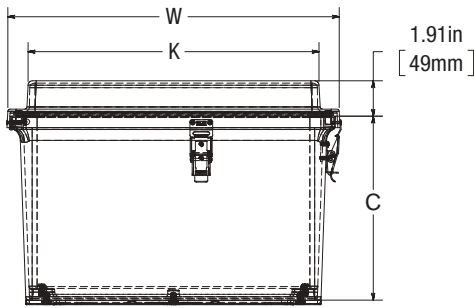
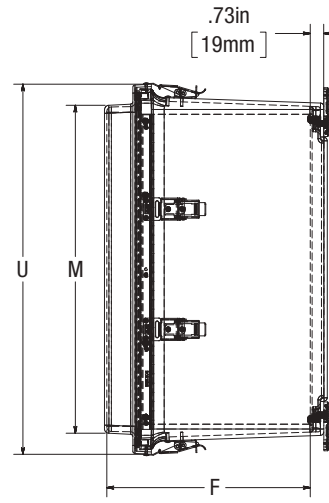
- Strong, molded ULTRAGUARD® fiberglass reinforced polyester material construction with matching raised cover
- 316 stainless steel snap latches feature padlock hasp (.375" dia.)
- Formed-In-Place (FIP) polyurethane gasket system encased in continuous channel
- Polycarbonate flanges installed with (4) 316 series stainless steel screws
- #10-32 threaded brass inserts are installed for optional back panel
- ULTRAGUARD® fiberglass material is easily punched, drilled, or sawed
- UV stabilized for outdoor use

## Accessories & Modifications

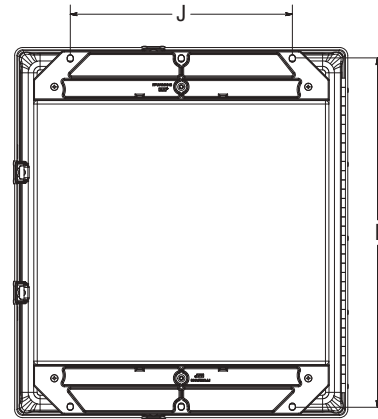
- Optional back panels
- Pole mount kits available
- Custom holes and cutouts
- Custom size polycarbonate viewing windows
- Molded-in color matching
- EMI/RFI shielding
- Factory-supplied silk screening



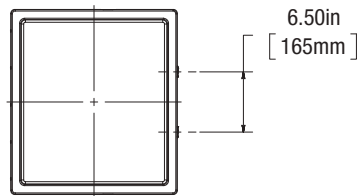
NOTE: REMOVED COVER FOR CLARITY



Nominal .200" (5mm) wall thickness



### LATCH LOCATIONS



| Part No.    | Box Size |       |       | Usable Depth | Panel Boss Centers |       | Panel Sizes |       |               | Flange Mount Centers |              | Cover Size |       |       |       |
|-------------|----------|-------|-------|--------------|--------------------|-------|-------------|-------|---------------|----------------------|--------------|------------|-------|-------|-------|
|             | A        | B     | C     |              | F                  | S     | Z           | Ht.   | Wid.          | P/N                  | J            | I          | K     | M     | U     |
| AMHD1860RLF | 18.24    | 16.24 | 10.13 | 11.01        | 16.25              | 14.25 | 16.88       | 14.88 | P186<br>PA186 | 12.00                | 18.88, 18.76 | 15.22      | 17.72 | 19.91 | 17.91 |
|             | 463mm    | 412mm | 257mm | 280mm        | 413mm              | 362mm | 429mm       | 378mm |               | 305mm                | 480mm, 477mm | 387mm      | 450mm | 506mm | 455mm |

All dimensions are in inches unless otherwise noted  
Additional back panels found on page 128

Data subject to change without notice

