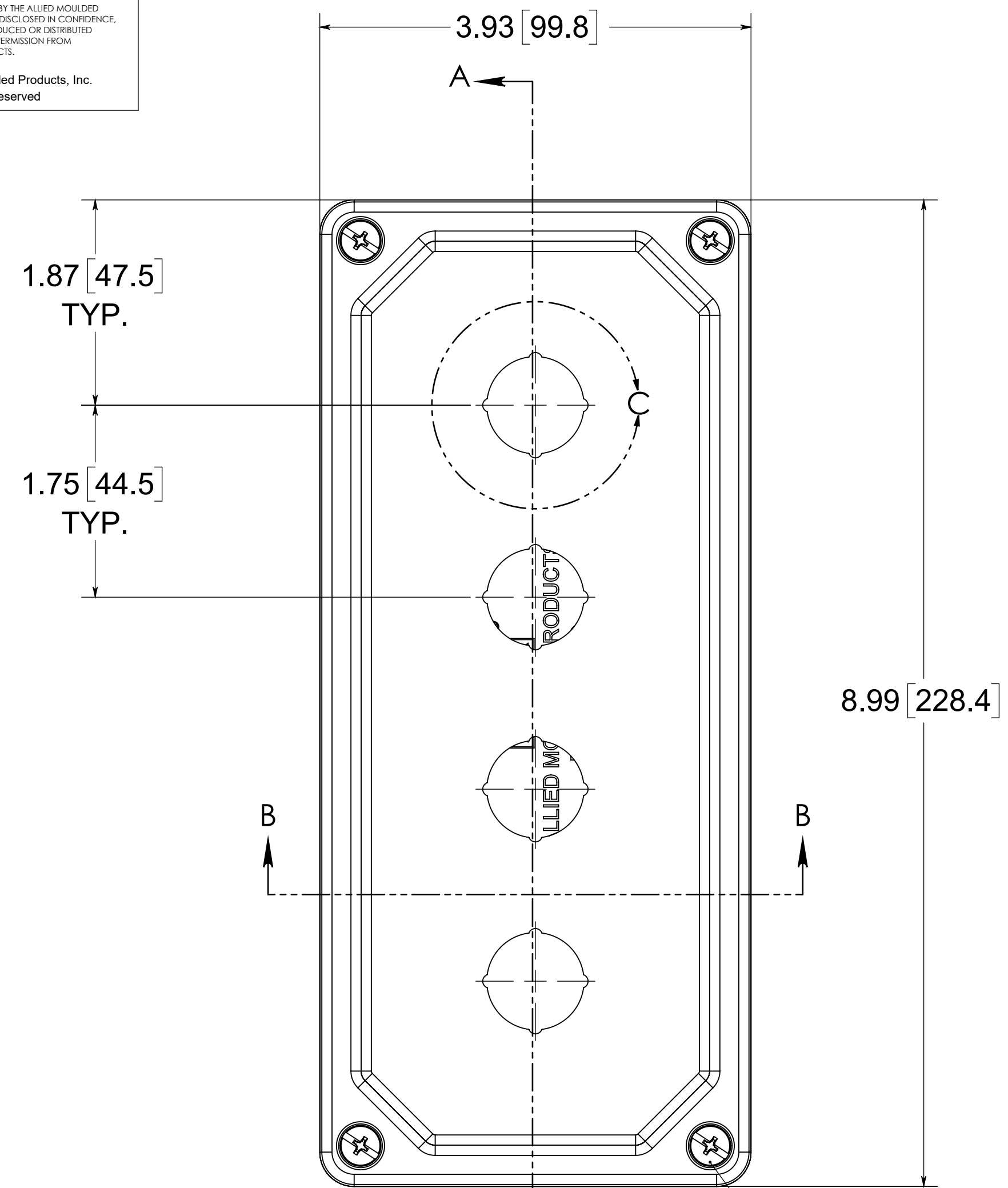
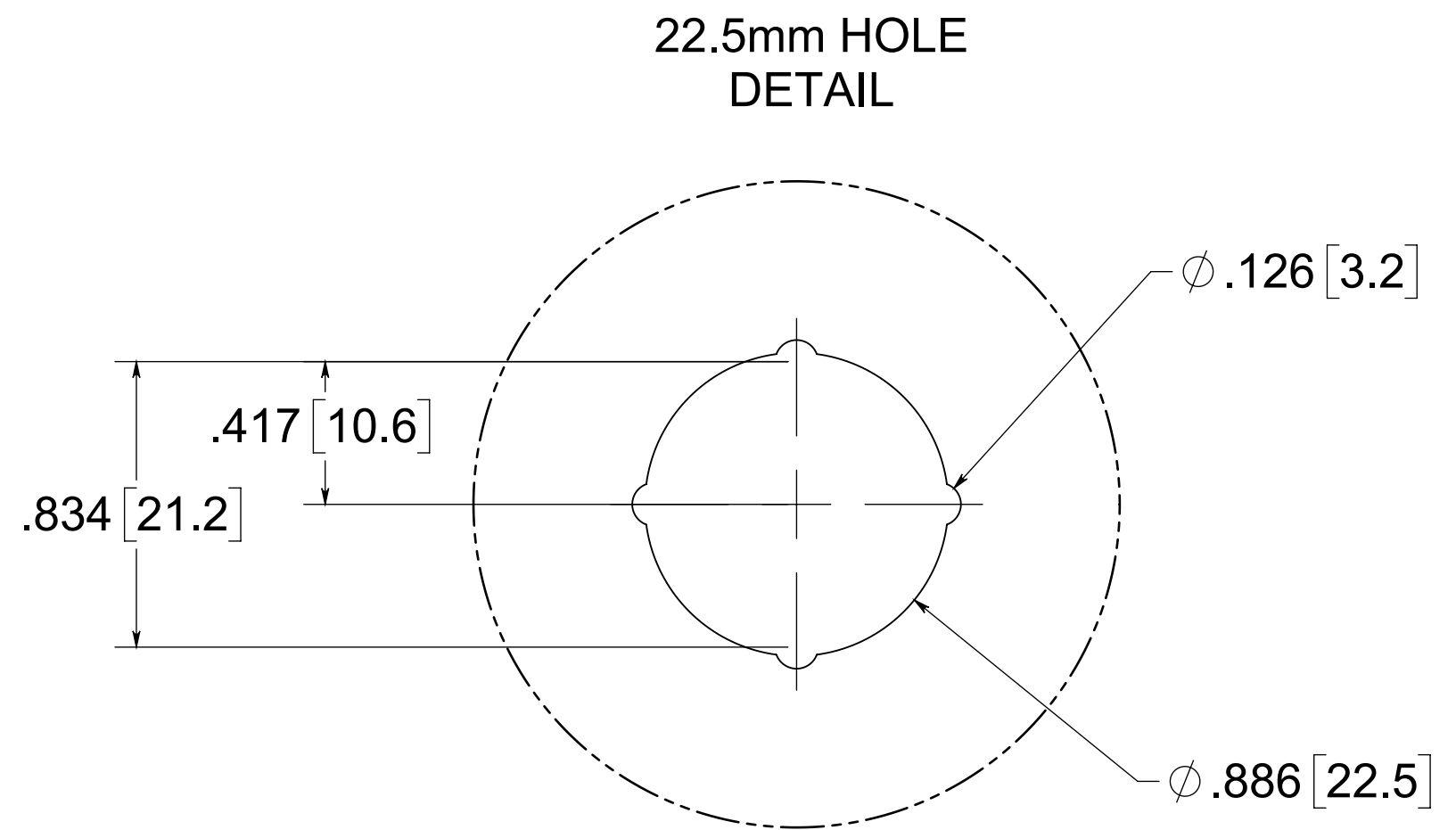
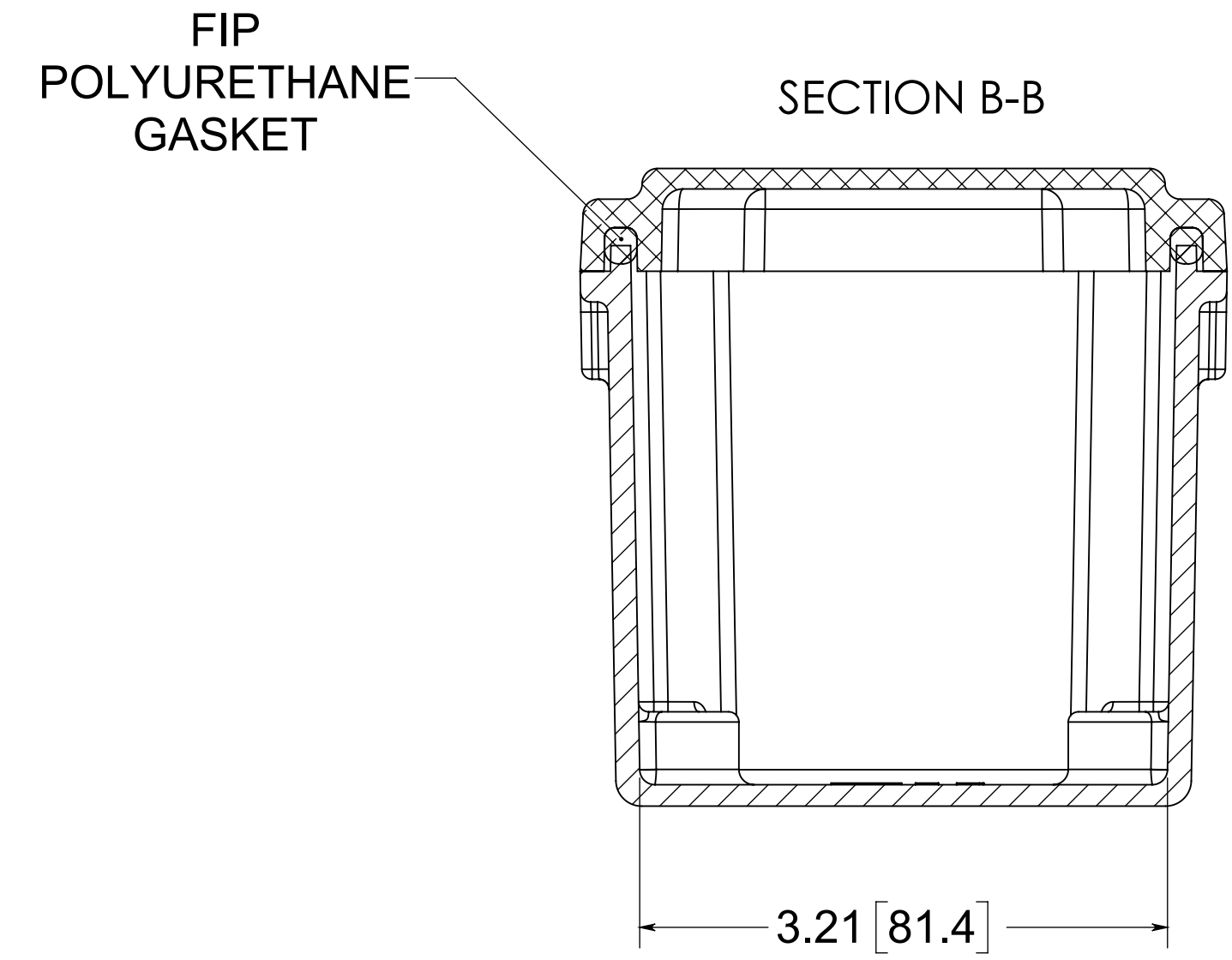
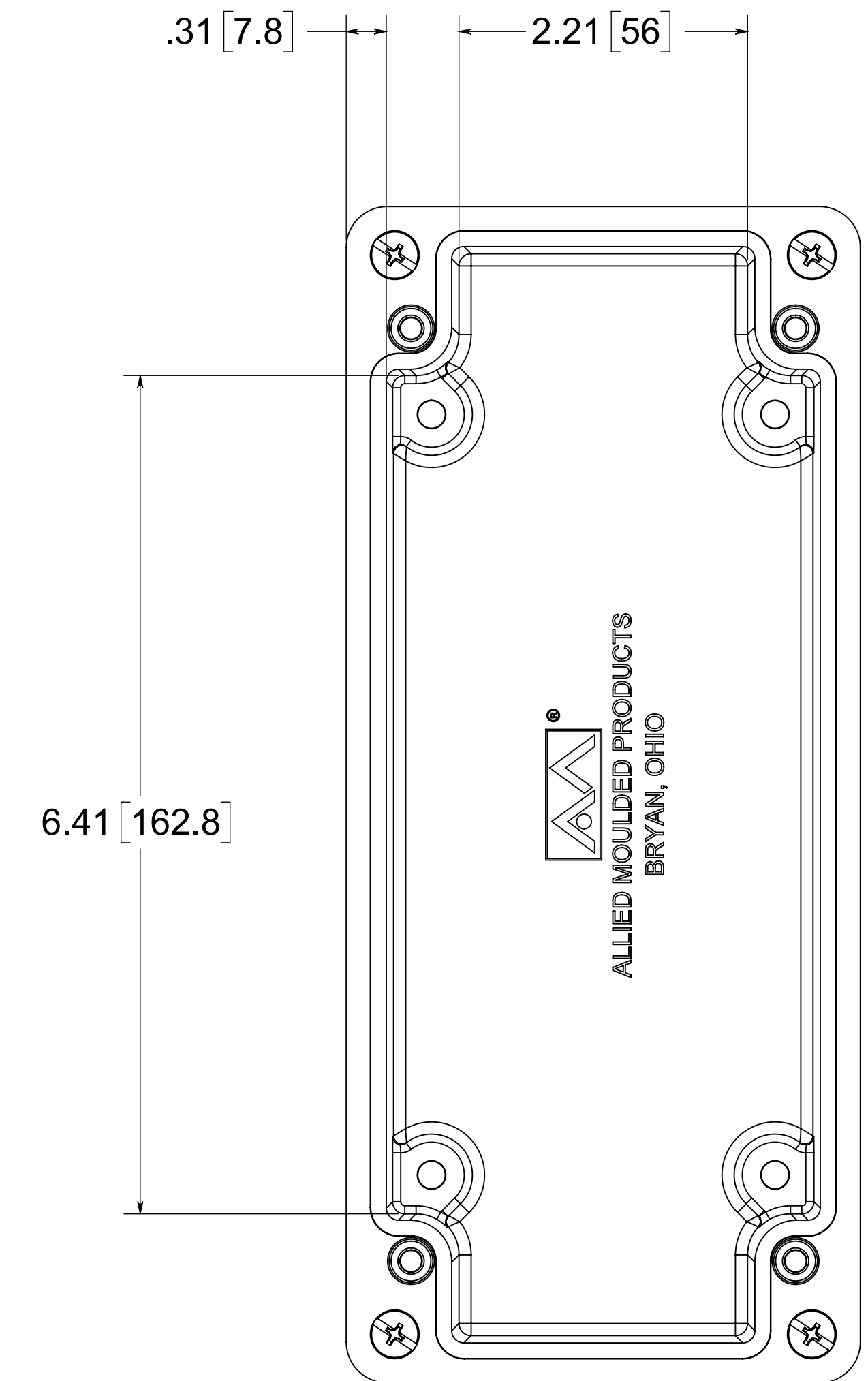
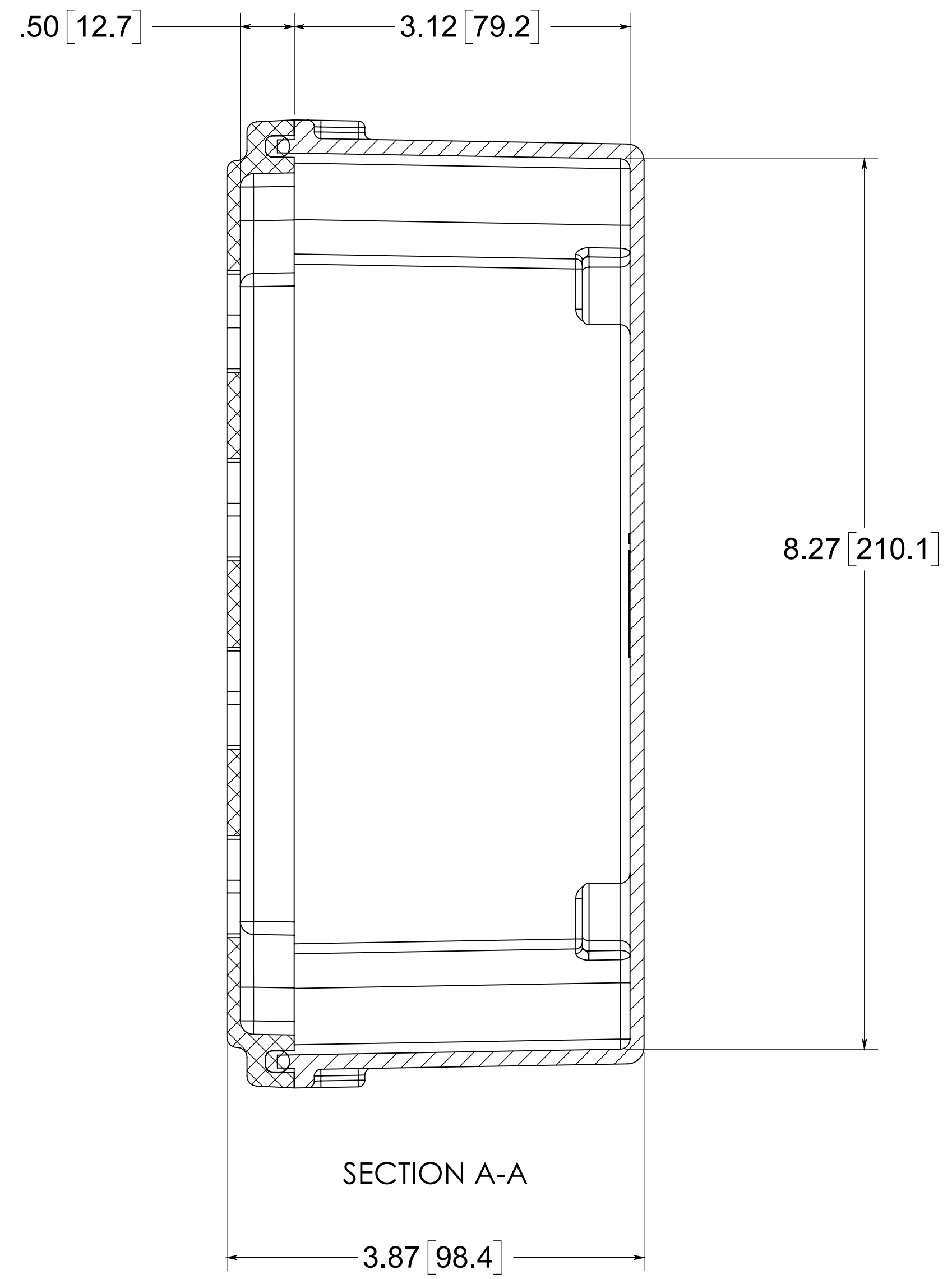


**CONFIDENTIAL**  
 THIS MATERIAL IS OWNED BY THE ALLIED MOULDED PRODUCTS COMPANY. IT IS DISCLOSED IN CONFIDENCE AND IS NOT TO BE REPRODUCED OR DISTRIBUTED WITHOUT PRIOR WRITTEN PERMISSION FROM ALLIED MOULDED PRODUCTS.  
 © Copy All Allied Moulded Products, Inc. All Rights Reserved

Date	Rev	Description	ECN No.	DR	CK	REL
07/05/2017	01	INITIAL RELEASE	ECN-12131	SMZ	GFR	GEL
-	-	-	-	-	-	-
-	-	-	-	-	-	-



(4) EACH #10-32 BRASS INSERTS AND STAINLESS STEEL COVER SCREWS



DETAIL C  
 SCALE 2 : 1

NOTE:  
 DATA SUBJECT TO CHANGE WITHOUT NOTICE

MATERIAL:  
 BOX & COVER - COMPRESSION MOLDED FIBERGLASS REINFORCED POLYESTER

DRAWING STAMP	FOR QUOTATION ONLY	MOLD VERSION	PROJECT NO.	ASSET NO.	BOM PART NO.
	UNLESS OTHERWISE SPECIFIED: DIMENSIONS ARE IN INCHES	<MOLD VERSION>			
TOLERANCES:	STRAIGHTNESS &/OR FLATNESS: .005"	STANDARD SYMBOLS	<b>ALLIED MOULDED PRODUCTS</b> BRYAN, OHIO The Original Fiber Glass Outlet Box		
.XX = ±.01	MACHINED SURFACES: 125/ OR BETTER	D = MINUS DRAFT			
.XXX = ±.005	PERPEND.: ⊥ .005"	M = MATCH DRILL	DRAWN: <b>AM Series</b> SMZ 6/15/2017 GFR 07/05/2017 GEL 07/13/2017		
FRACTIONAL ±1/64	CONCEN.: Ⓞ .005"	① = 1° DRAFT	MATERIAL: SEE BOM FINISH / HEAT TREAT: SEE NOTES PRINT NUMBER:		
ANGULAR ±0°30'		③ = 3° DRAFT	SHEET 1 OF 1 DO NOT SCALE		
		④ = STEEL SAFE	CRIB NO.: SHEET 1 OF 1 DO NOT SCALE		
			AM4PB22 01		