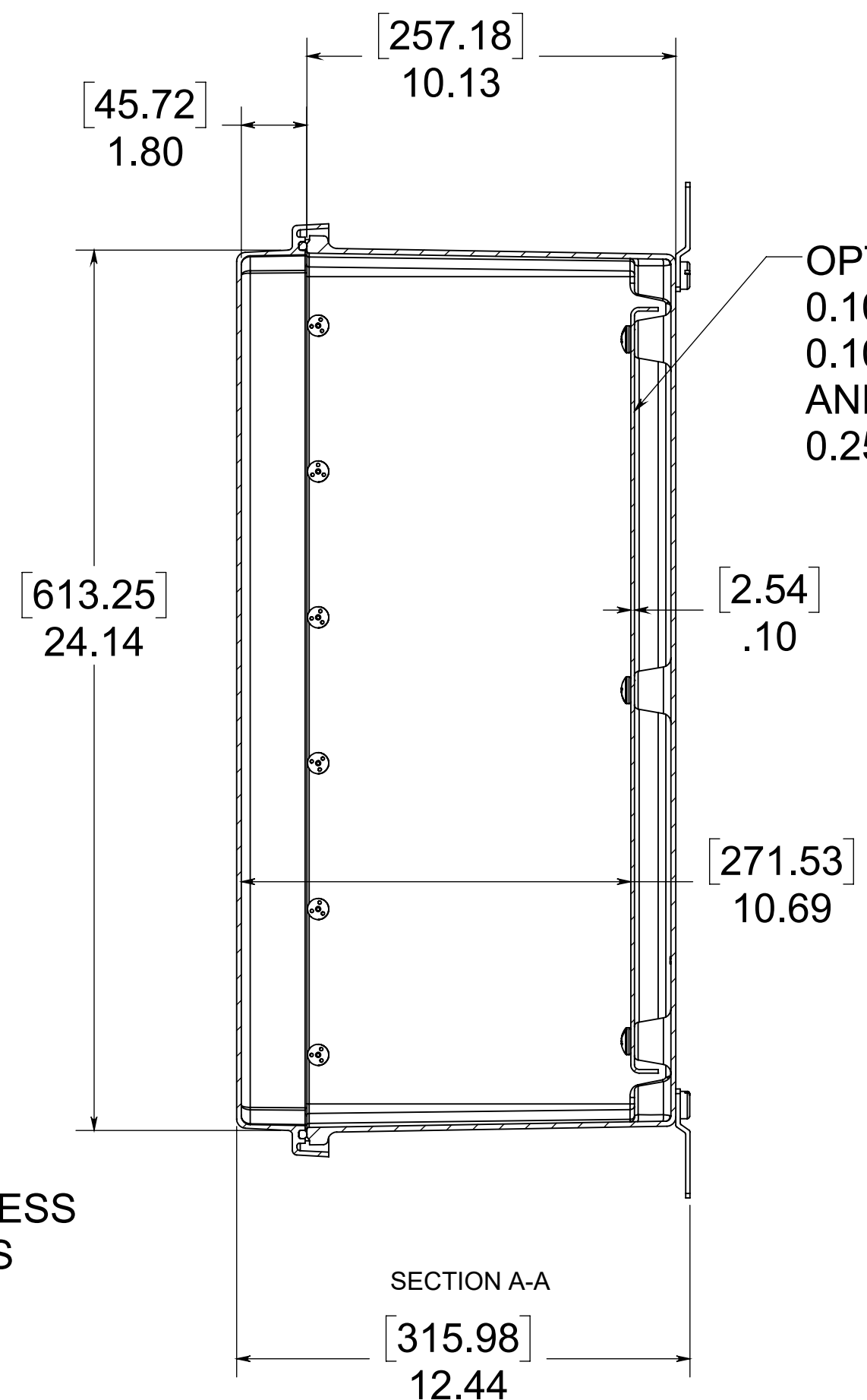
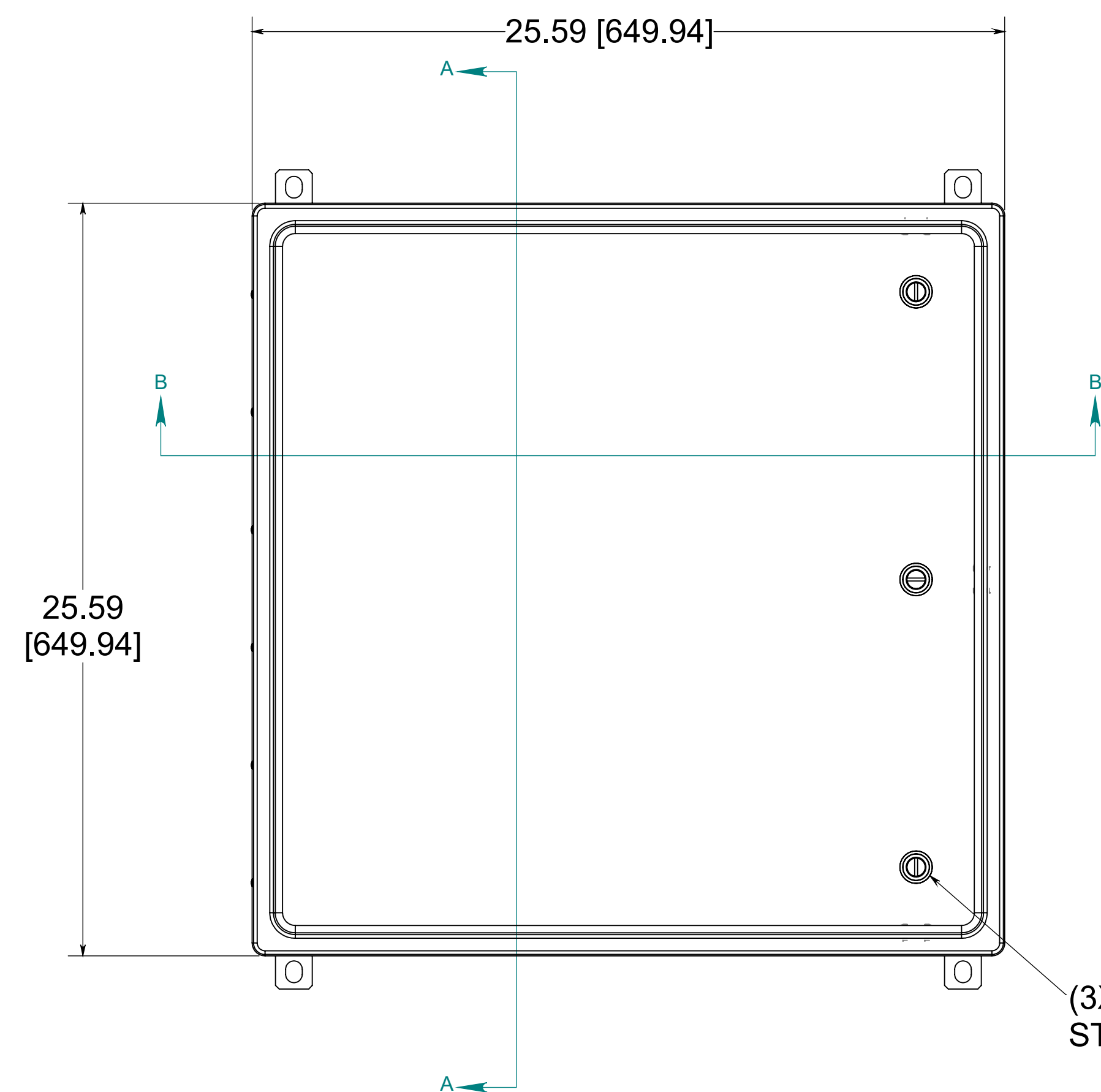
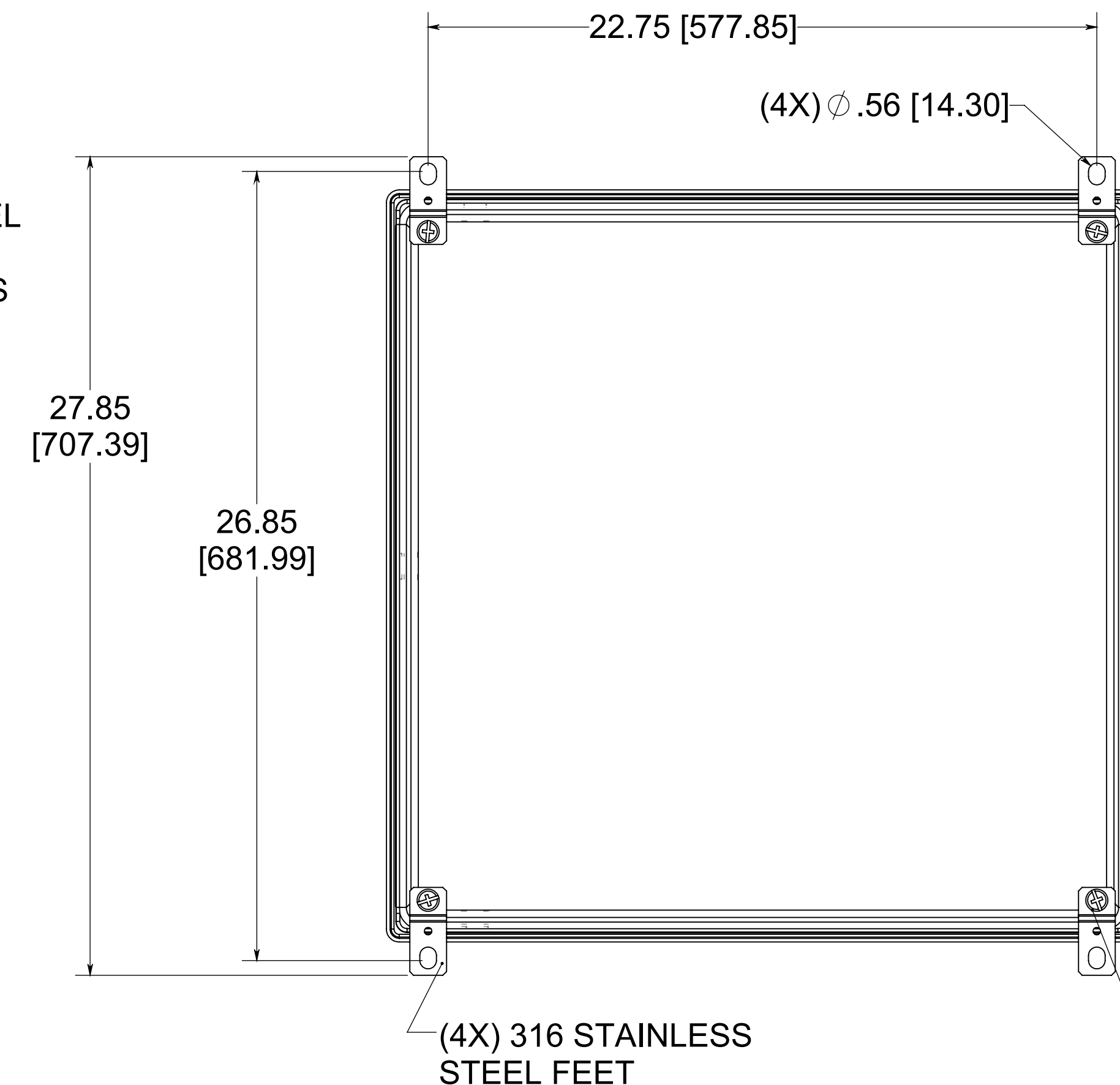


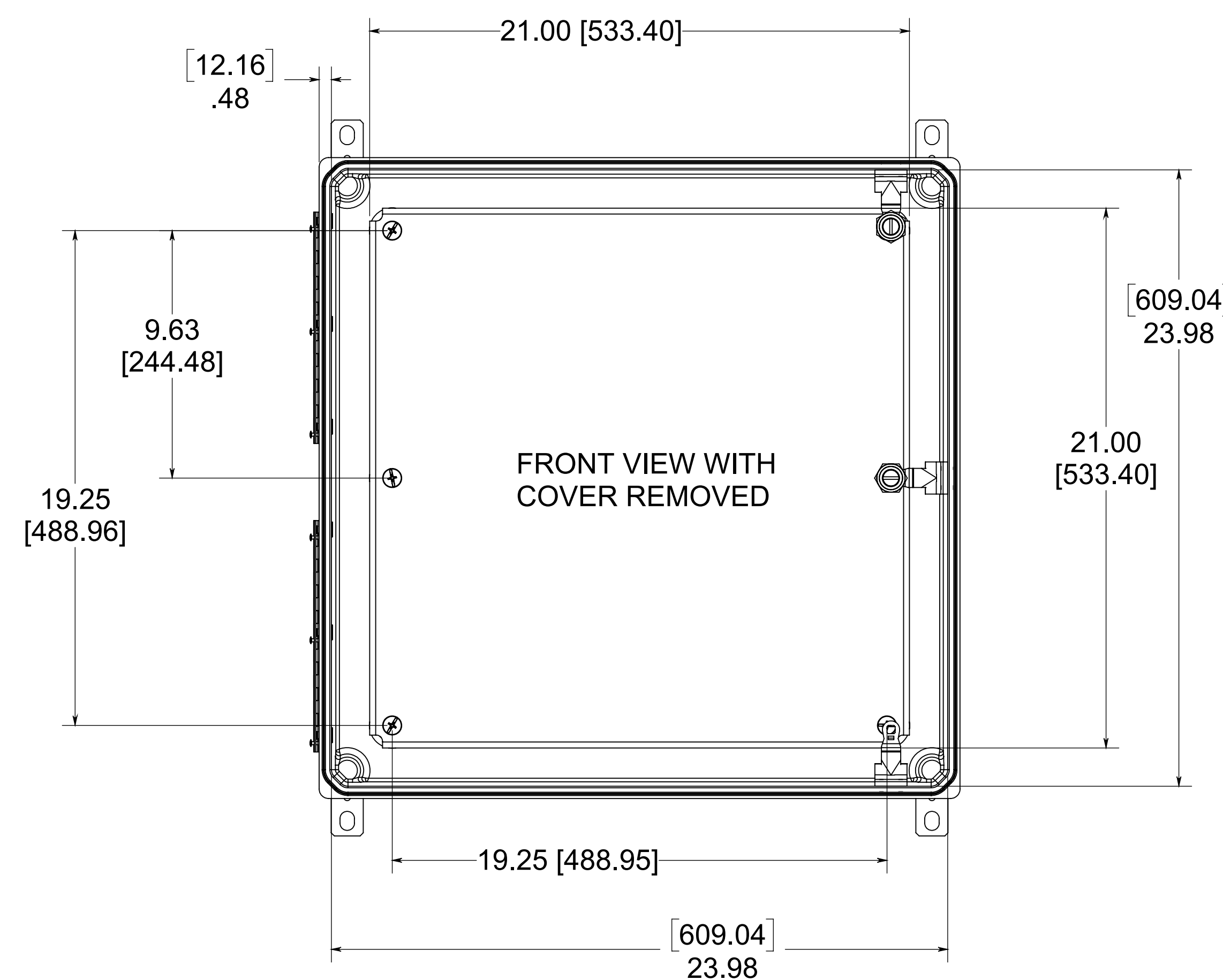
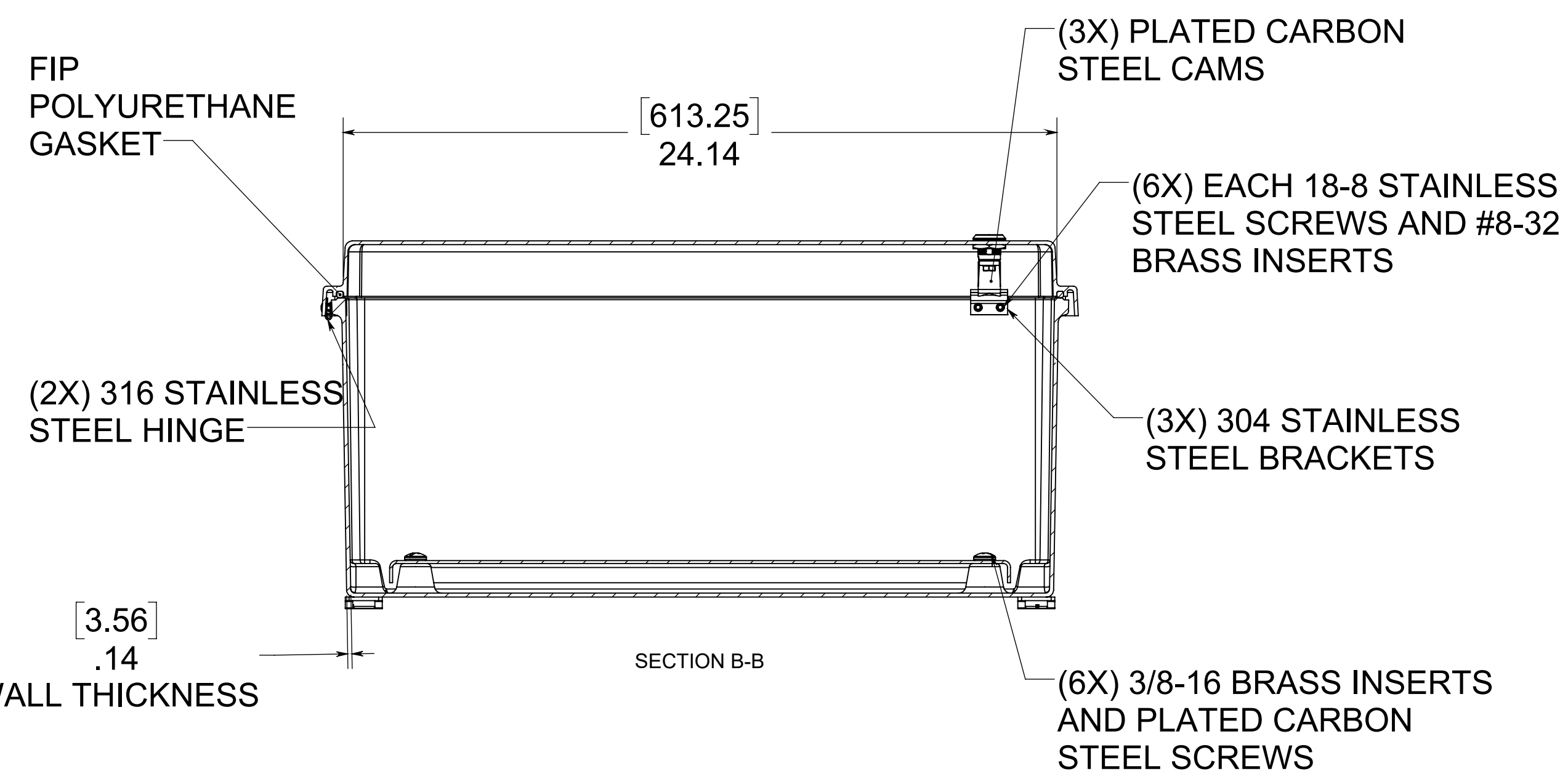
Date	Rev	Description	ECN No.	ISSUE DATE	DR	CK	REL
03/02/2018	01	INITIAL RELEASE	ECN-12512		DJL	SRH	GEL
-	-	-	-	-	-	-	-
-	-	-	-	-	-	-	-



OPTIONAL BACK PANEL
 0.100 [2.54] TH'K- ALUMINUM
 0.105 [2.67] TH'K- WHITE STEEL
 AND GALVANNEALED
 0.250 [6.35] TH'K- FIBERGLASS



(4X) EACH 3/8-16 BRASS INSERTS AND 316 STAINLESS STEEL FEET SCREWS



MATERIAL:
 BOX- COMPRESSION MOLDED FIBERGLASS REINFORCED POLYESTER
 COVER- COMPRESSION MOLDED FIBERGLASS REINFORCED POLYESTER
 WINDOW- POLYCARBONATE

NOTE:
 1. DATA SUBJECT TO CHANGE WITHOUT NOTICE



Part No. **CONTROL AM24240RQT**

CONFIDENTIAL
 THIS MATERIAL IS OWNED BY THE ALLIED MOULDED PRODUCTS COMPANY, IS DISCLOSED IN CONFIDENCE, AND IS NOT TO BE REPRODUCED OR DISTRIBUTED WITHOUT PRIOR WRITTEN PERMISSION FROM ALLIED MOULDED PRODUCTS.
 © Allied Moulded Products, Inc. All Rights Reserved