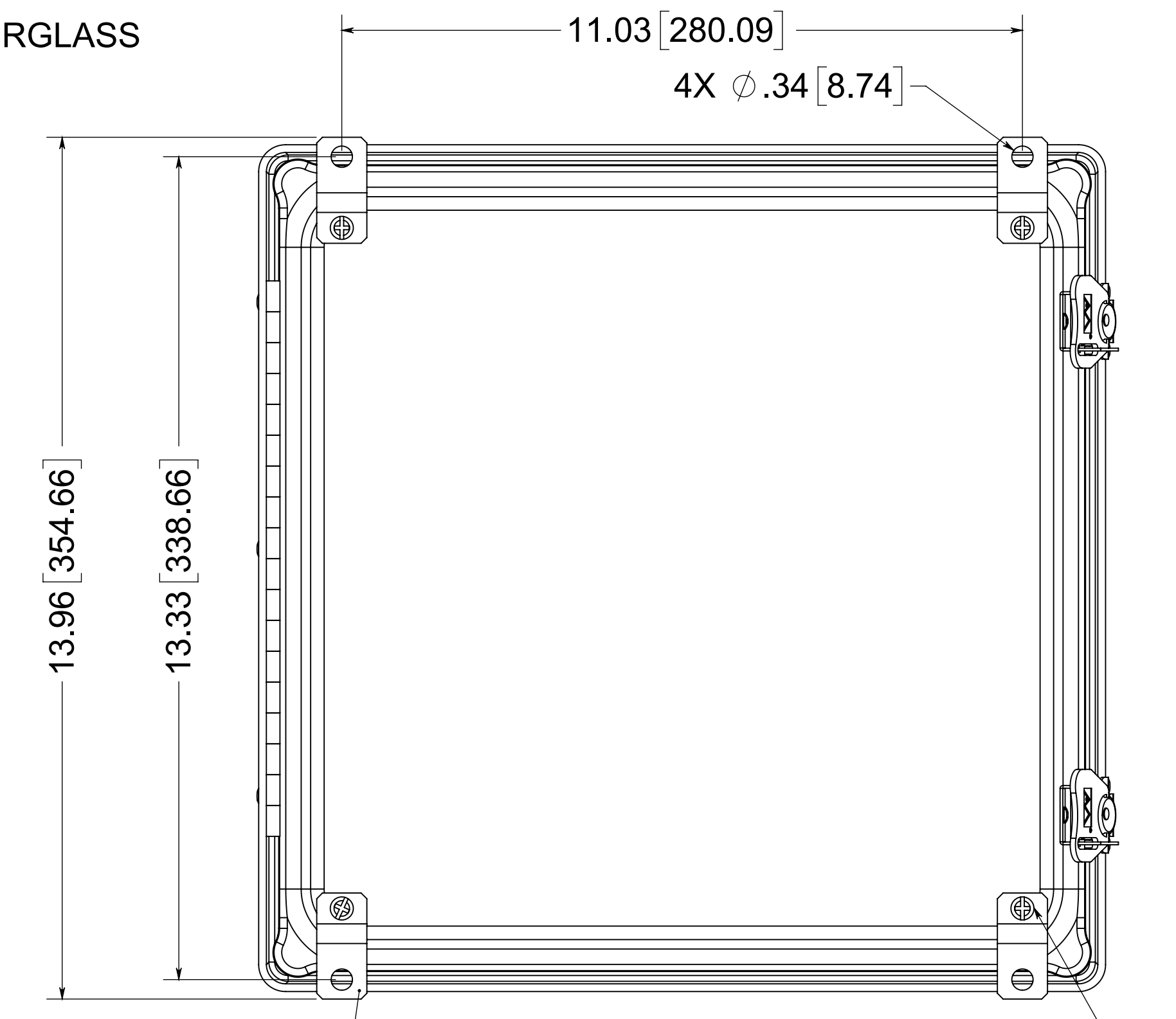
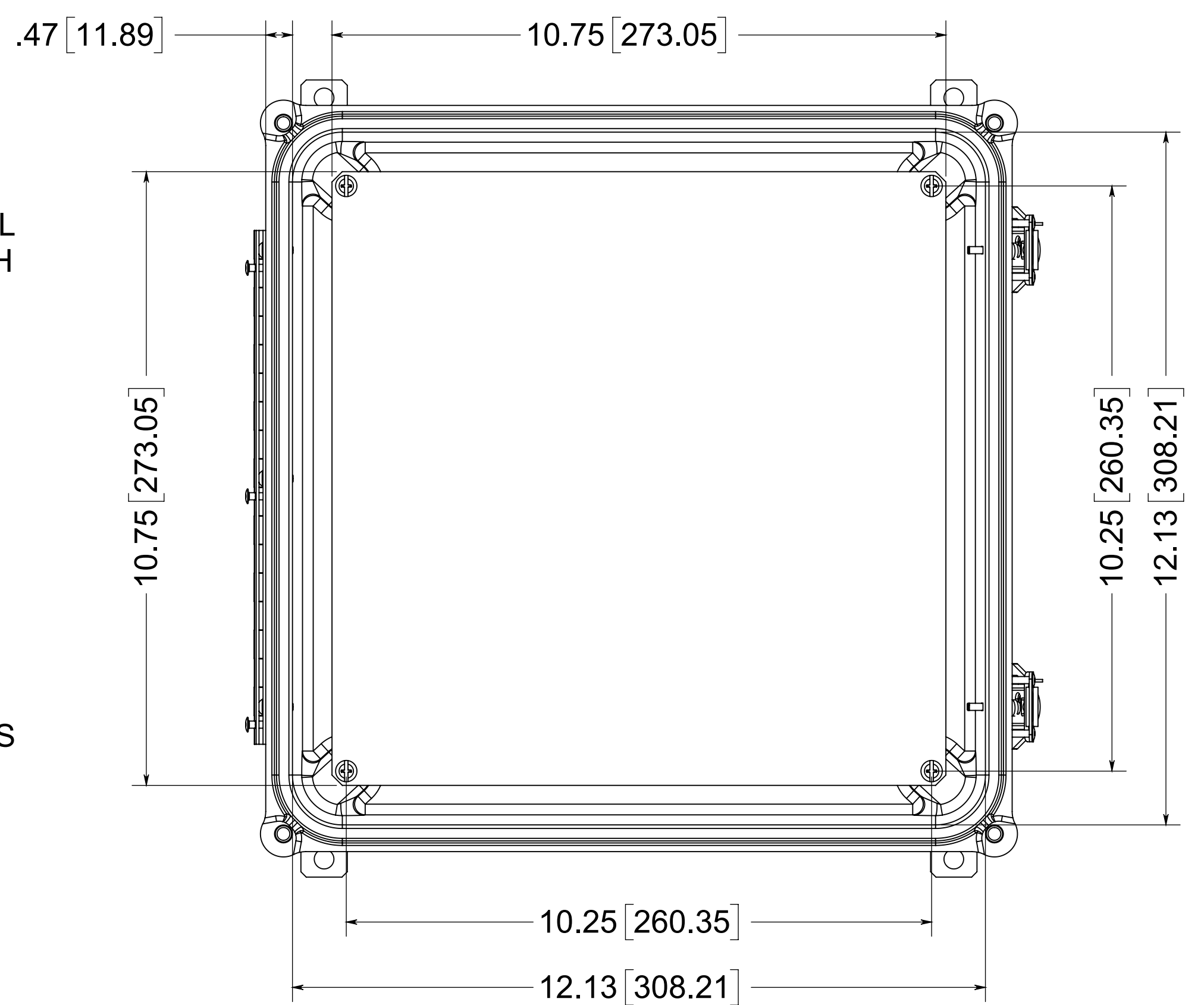
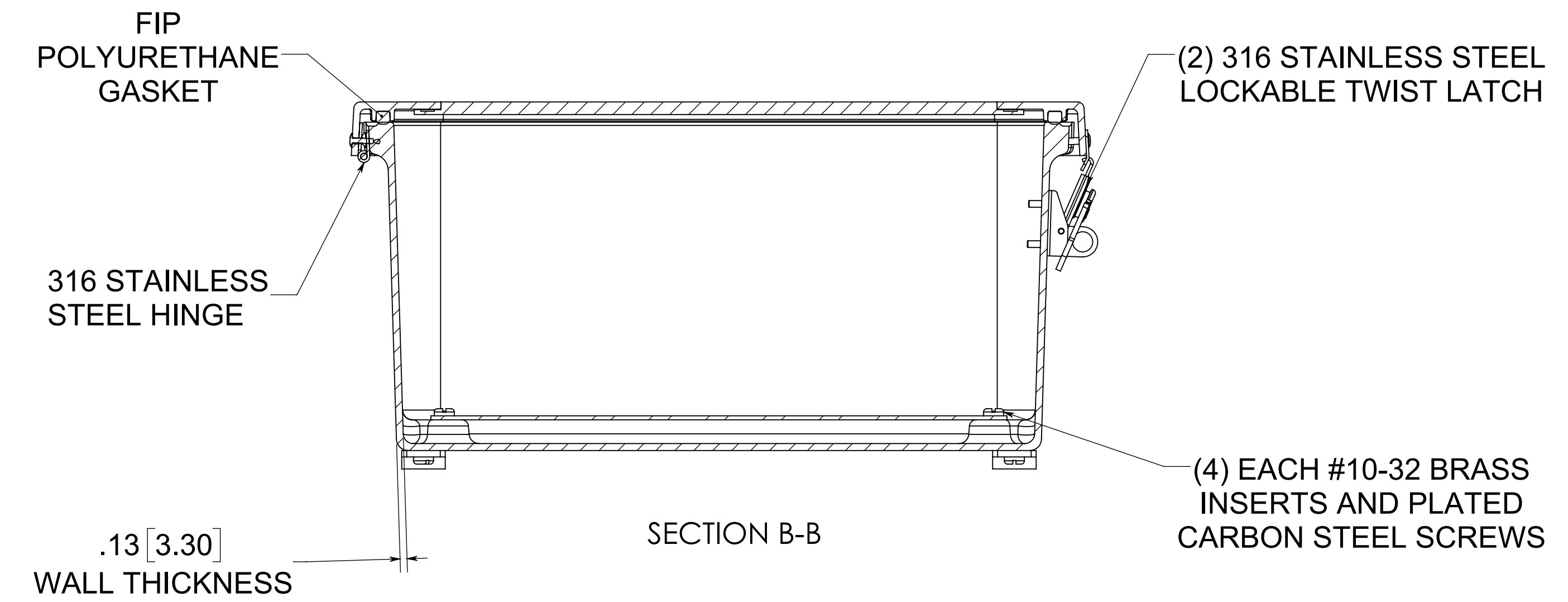


OPTIONAL BACK PANEL
 0.100 [2.54] TH'K ALUMINUM
 0.075 [1.91] TH'K- WHITE STEEL &
 GALVANNEALED
 0.125 [3.18] TH'K- FIBERGLASS



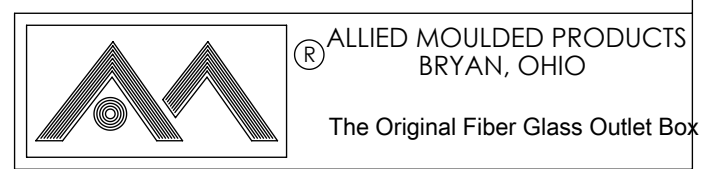
(4) 316 STAINLESS STEEL FEET

(4) EACH #10-32 BRASS INSERTS, AND 316 STINLESS STEEL FEET SCREWS



NOTES;
 1. DATA SUBJECT TO CHANGE WITHOUT NOTICE

MATERIAL:
 BOX- COMPRESSION MOLDED FIBERGLASS REINFORCED POLYESTER
 COVER- COPRESSION MOLDED FIBERGLASS REINFORCED POLYESTER
 WINDOWS- POLYCARBONATE



Description
AM Series
 Part No.
AM1226TW

CONFIDENTIAL
 THIS MATERIAL IS OWNED BY THE ALLIED MOULDED PRODUCTS COMPANY, IS DISCLOSED IN CONFIDENCE, AND IS NOT TO BE REPRODUCED OR DISTRIBUTED WITHOUT PRIOR WRITTEN PERMISSION FROM ALLIED MOULDED PRODUCTS.