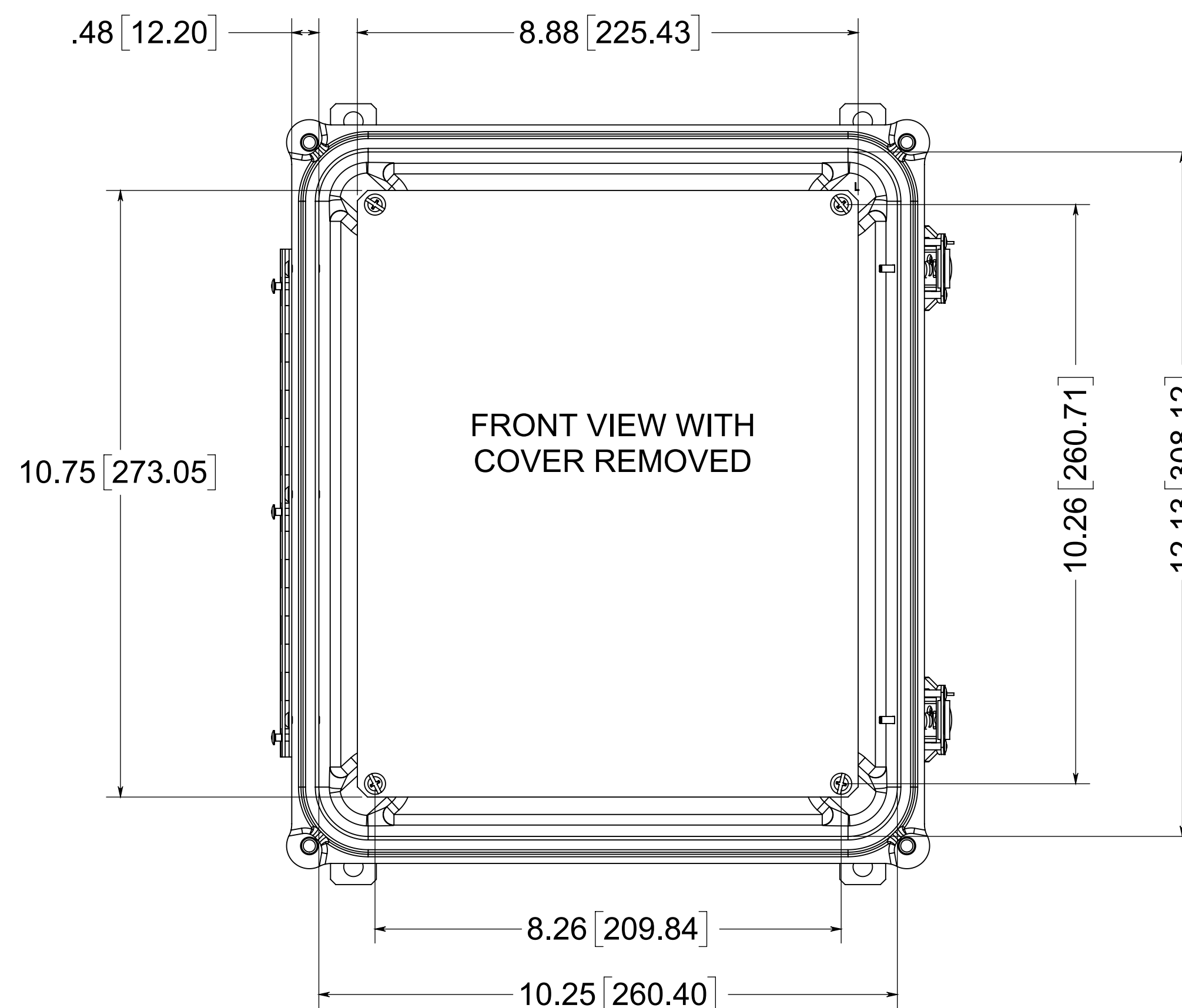
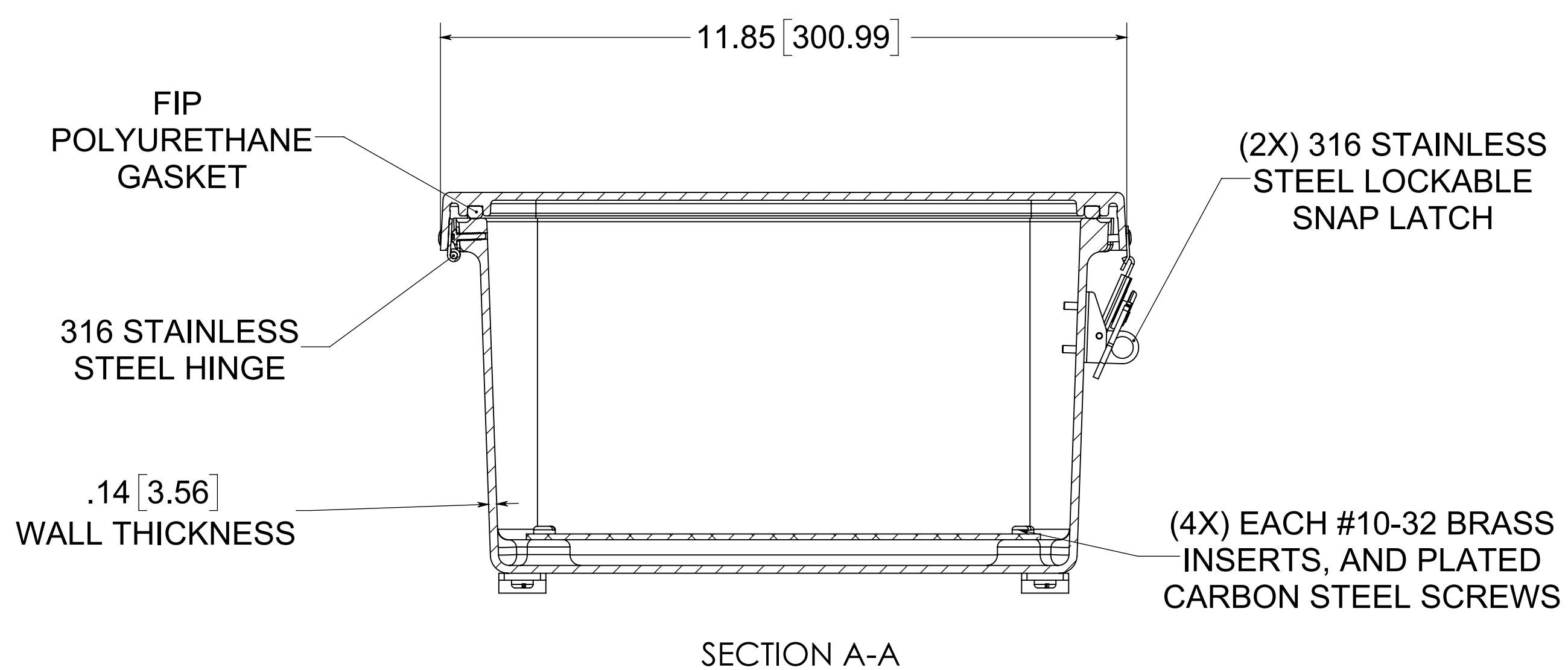
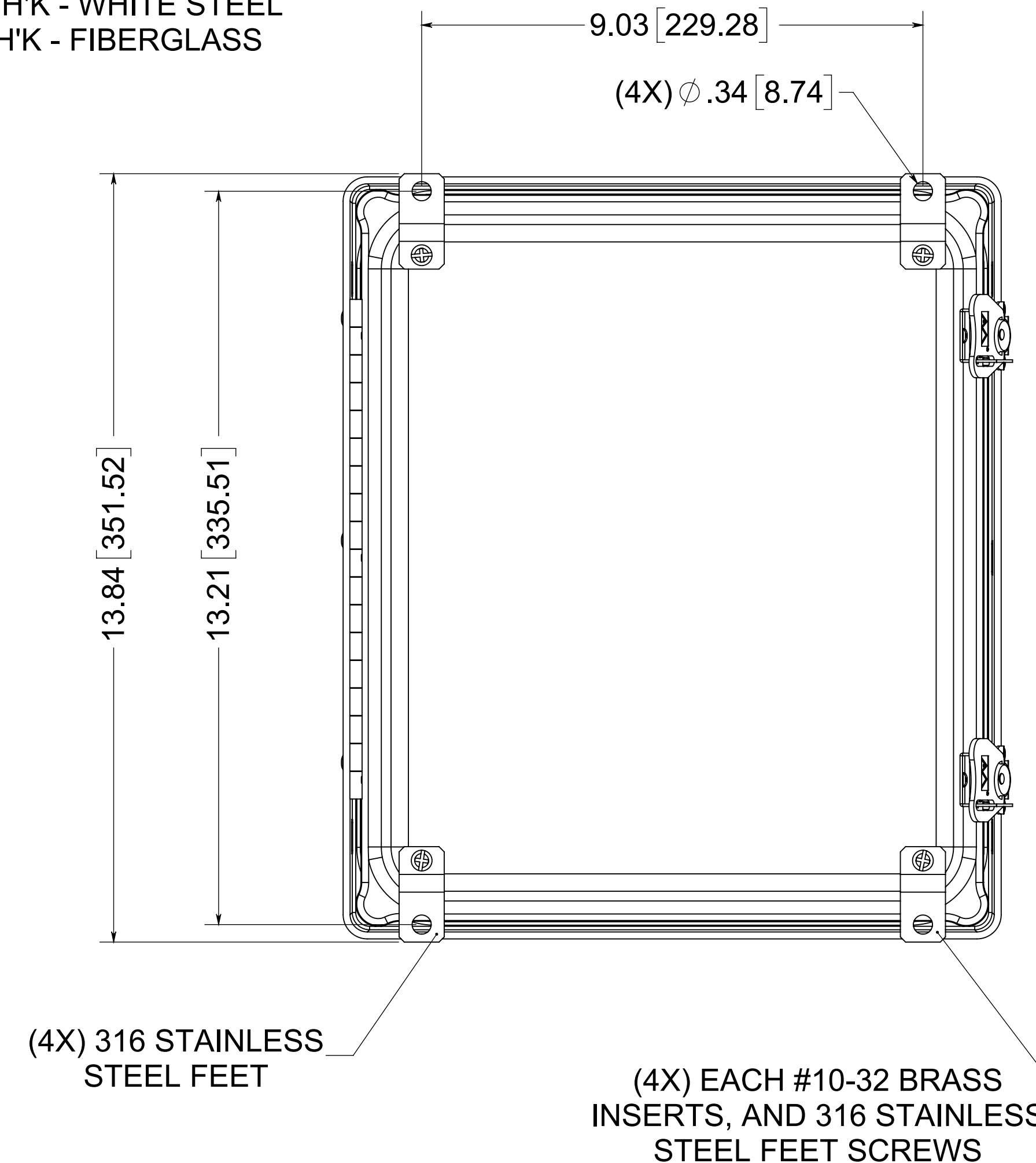
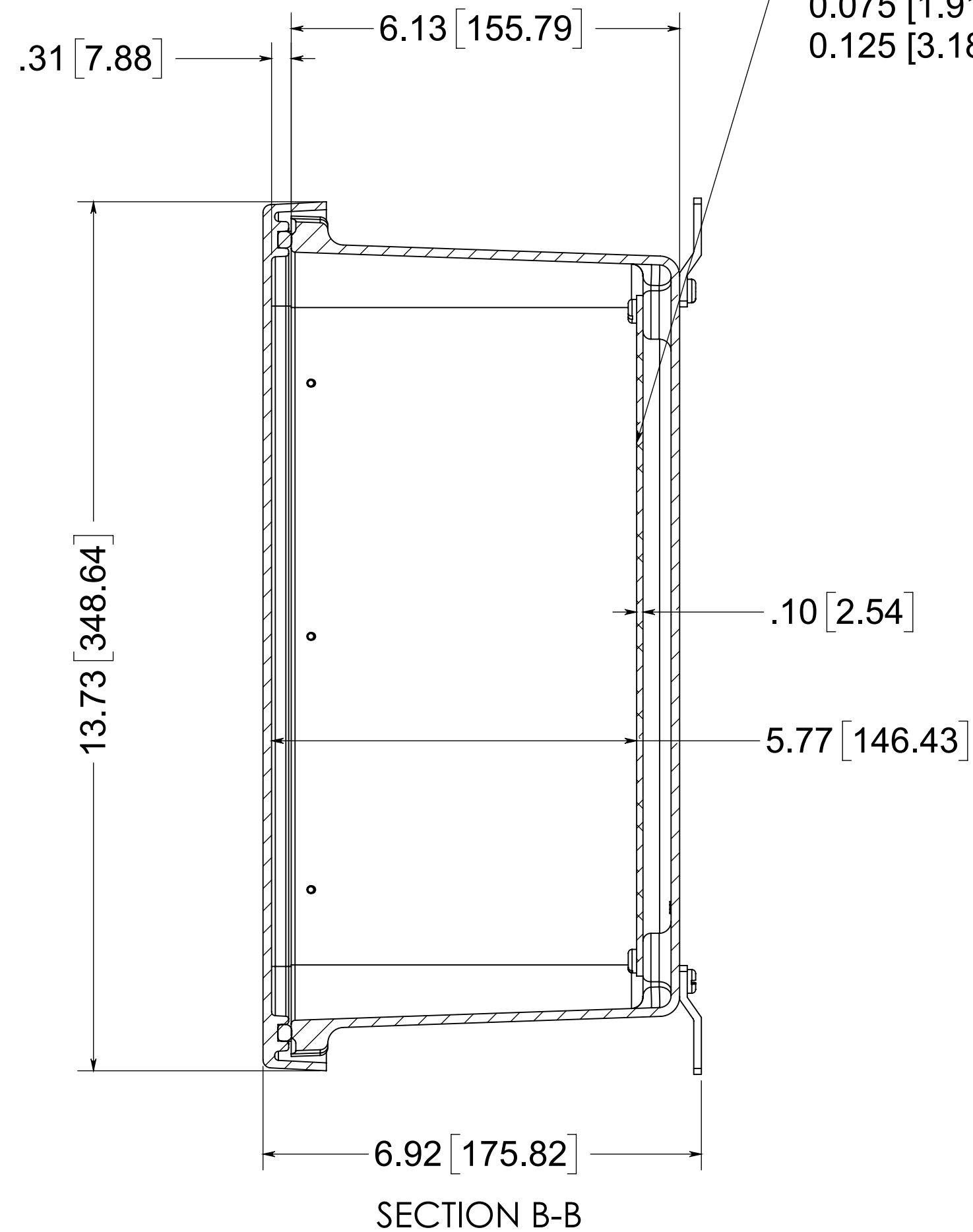
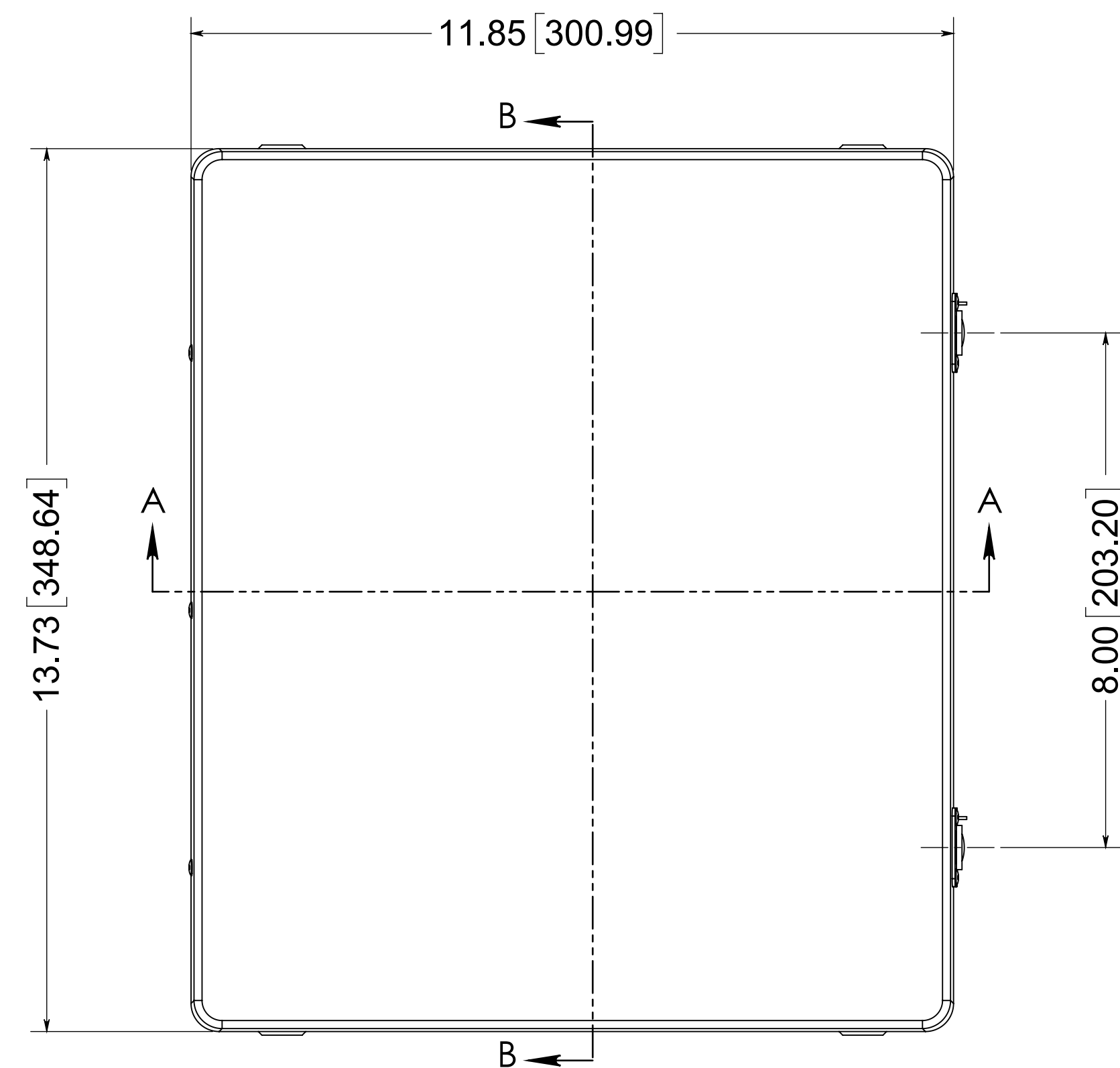


Date	Rev	Description	ECN No.	ISSUE DATE	DR	CK	REL
08/16/2017	01	INITIAL RELEASE	ECN-11763		SRH	SMZ	GEL
-	-	-	-	-	-	-	-
-	-	-	-	-	-	-	-



MATERIAL:
 BOX-COMPRESSION MOLDED FIBERGLASS REINFORCED POLYESTER
 COVER-COMPRESSION MOLDED FIBERGLASS REINFORCED POLYESTER
 WINDOWS - POLYCARBONATE

NOTE:
 1. DATA SUBJECT TO CHANGE WITHOUT NOTICE

AM Series
 Part No. **AM1206T**

CONFIDENTIAL
 THIS MATERIAL IS OWNED BY THE ALLIED MOULDED PRODUCTS COMPANY, IS DISCLOSED IN CONFIDENCE, AND IS NOT TO BE REPRODUCED OR DISTRIBUTED WITHOUT PRIOR WRITTEN PERMISSION FROM ALLIED MOULDED PRODUCTS.