

AM-R Series

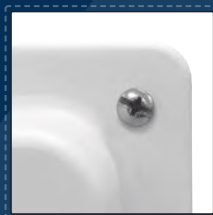
JIC SIZE JUNCTION BOXES

Cover Type

Raised Solid/Opaque

Latching Option

Lift-Off Screw Cover



Application

Designed to insulate and protect controls and components in both indoor and outdoor applications often found in oil refineries, waste water treatment equipment, chemical plants, and many other applications

- Especially well suited for high temperature or corrosive environments
- Protects from dirt, dust, oil and water
- For use with industrial control equipment

Standards

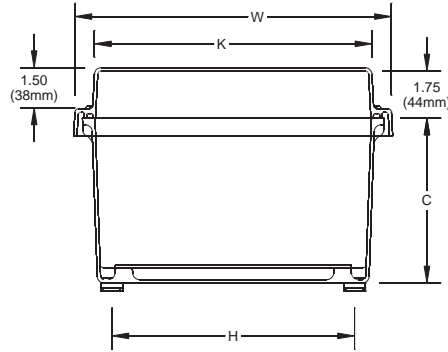
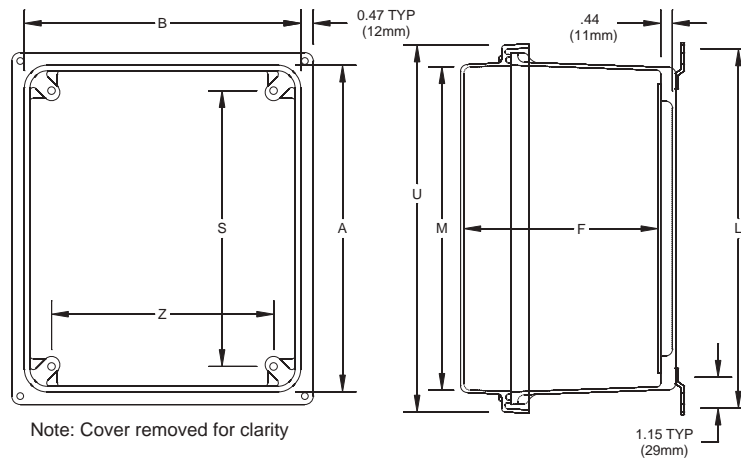
- UL 50 and UL 50E Types 1, 2, 3, 3R, 4, 4X, (6P for sizes 6"x6" up through 14"x12"), 12 and 13
- CSA C22.2 No. 94 Types 1, 2, 3, 3R, 4, 4X, (6P for sizes 6"x6" up through 14"x12"), 12 and 13
- Complies with:
 - NEMA Types 1, 2, 3, 3R, 4, 4X, (6P for sizes 6"x6" up through 14"x12"), 12 and 13
 - IEC 60529 Type IP68 submersible up to 24 hours at a depth of 6 feet (1.8 meters)
 - RoHS directive

Construction

- Strong, molded ULTRAGUARD® fiberglass reinforced polyester material construction with matching raised cover
- 316 stainless steel captive cover screws
- Formed-In-Place (FIP) polyurethane gasket system encased in continuous channel
- 316 stainless steel wall mounting feet with 10-32 stainless steel screws included
- #10-32 threaded brass inserts for optional back panel installation
- JIC sizes
- ULTRAGUARD® fiberglass material is easily punched, drilled, or sawed
- UV stabilized for outdoor use

Accessories & Modifications

- Optional back panels and hinged front panels
- Custom holes and cutouts
- Custom size polycarbonate viewing windows
- Molded-in color matching
- EMI/RFI shielding
- Factory-supplied silk screening



Nominal 1/8" (3mm) wall thickness

Part No.	Box Size			Usable Depth	Panel Boss Centers			Panel Sizes			Foot Mount Centers		Cover Size			
	A	B	C		F	S	Z	Ht.	Wid.	P/N	H	L	K	M	U	W
AM664R	6.10	6.10	4.18	5.29	4.25	4.25	4.81	4.81	PL66 PLA66	5.01	7.32	6.08	6.08	7.69	7.69	
	155mm	155mm	106mm	134mm	108mm	108mm	122mm	122mm		127mm	186mm	154mm	154mm	195mm	195mm	
AM864R	8.00	6.13	4.14	5.21	6.25	4.25	6.75	4.88	PL86 PLA86	5.02	9.20	7.71	7.98	9.59	7.71	
	203mm	156mm	105mm	132mm	159mm	108mm	171mm	124mm		127mm	234mm	196mm	203mm	244mm	196mm	
AM1084R	10.14	8.26	4.13	5.21	8.25	6.25	8.75	6.88	PL108 PLA108	7.01	11.19	8.29	10.16	11.73	9.90	
	258mm	210mm	105mm	132mm	210mm	159mm	222mm	175mm		178mm	284mm	211mm	258mm	299mm	251mm	
AM1086R	10.14	8.26	6.13	7.21	8.25	6.25	8.75	6.88	PL108 PLA108	7.01	11.19	8.29	10.16	11.73	9.85	
	258mm	210mm	156mm	183mm	210mm	159mm	222mm	175mm		178mm	284mm	211mm	258mm	298mm	250mm	
AM1206R	12.14	10.26	6.13	7.21	10.25	8.25	10.75	8.88	PL120 PLA120	9.01	13.19	10.29	12.16	13.73	11.85	
	308mm	261mm	156mm	183mm	260mm	210mm	273mm	225mm		229mm	335mm	261mm	309mm	349mm	301mm	
AM1224R	12.14	12.14	4.13	5.26	10.25	10.25	10.75	10.75	PL122 PLA122	11.01	13.32	12.16	12.16	13.72	13.72	
	308mm	308mm	105mm	134mm	260mm	260mm	273mm	273mm		280mm	338mm	309mm	309mm	348mm	348mm	
AM1226R	12.14	12.14	6.13	7.26	10.25	10.25	10.75	10.75	PL122 PLA122	11.01	13.32	12.16	12.16	13.72	13.72	
	308mm	308mm	156mm	184mm	260mm	260mm	273mm	273mm		280mm	338mm	309mm	309mm	348mm	348mm	
AM1426R	14.14	12.26	6.13	7.21	12.25	10.25	12.75	10.88	PL142 PLA142	11.03	15.19	12.29	14.16	15.73	13.85	
	359mm	312mm	156mm	183mm	311mm	260mm	324mm	276mm		280mm	386mm	312mm	360mm	399mm	352mm	
AM1648R	16.27	14.40	8.13	9.21	14.25	12.25	14.75	12.88	P164 PA164	13.01	17.19	13.70	15.57	17.87	15.99	
	413mm	366mm	207mm	234mm	362mm	311mm	375mm	327mm		330mm	437mm	348mm	395mm	454mm	406mm	
AM1868R	18.40	16.40	8.13	9.22	16.25	14.25	16.88	14.88	P186 PA186	14.97	19.28	15.70	17.70	20.00	18.00	
	467mm	417mm	207mm	234mm	413mm	362mm	429mm	378mm		380mm	490mm	399mm	450mm	508mm	457mm	
AM2068R	20.00	16.00	8.13	9.21	17.81	13.81	18.44	14.44	P206 PA206	14.54	20.84	15.27	19.27	21.59	17.59	
	508mm	406mm	207mm	234mm	452mm	351mm	468mm	367mm		369mm	529mm	388mm	489mm	548mm	447mm	

All dimensions are in inches unless otherwise noted

Sizes 6" x 6" up through 14" x 12" are rated 6P (IP68)

Enclosure base part numbers come standard with 4 separately bagged feet (ex. AM664R)

Additional back panels found on page 128

Data subject to change without notice

